

# PRODUCT INFORMATION PACKET



Model No: C4T17FH6C

Catalog No: 101079.00

1/3HP..1725RPM.S56.TEFC.208-230/460V.3PH.60HZ.CONT.40C.1.15SF.RIGID.C4T17FH6C.....GENERAL PURPOSE.NOT.....

Totally Enclosed Fan Cooled (TEFC)



Regal and Leeson are trademarks of Regal Beloit Corporation or one of its affiliated companies.

©2018 Regal Beloit Corporation, All Rights Reserved. MC017097E





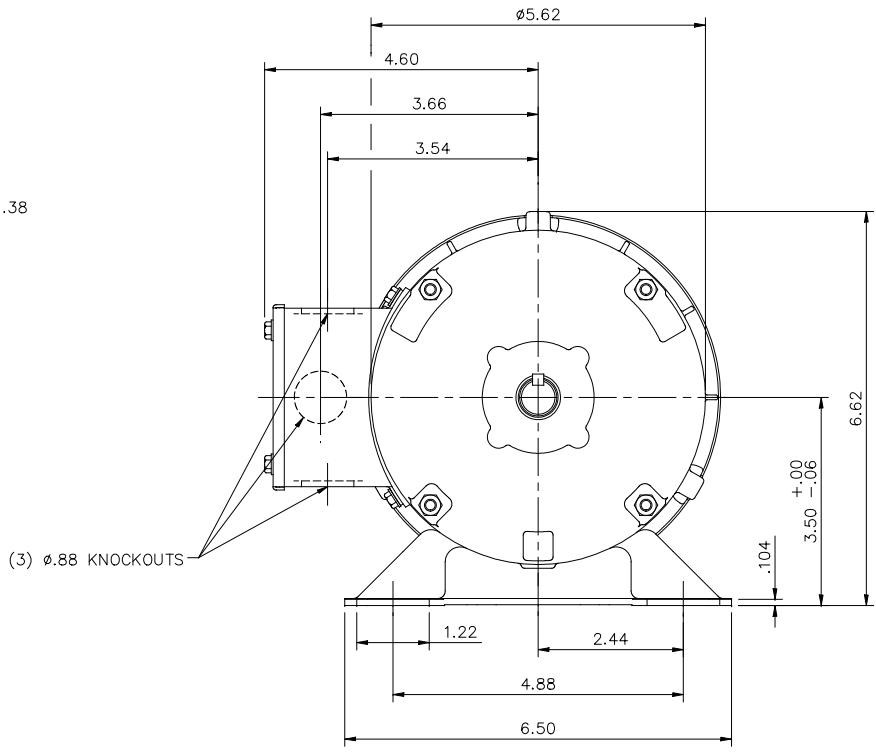
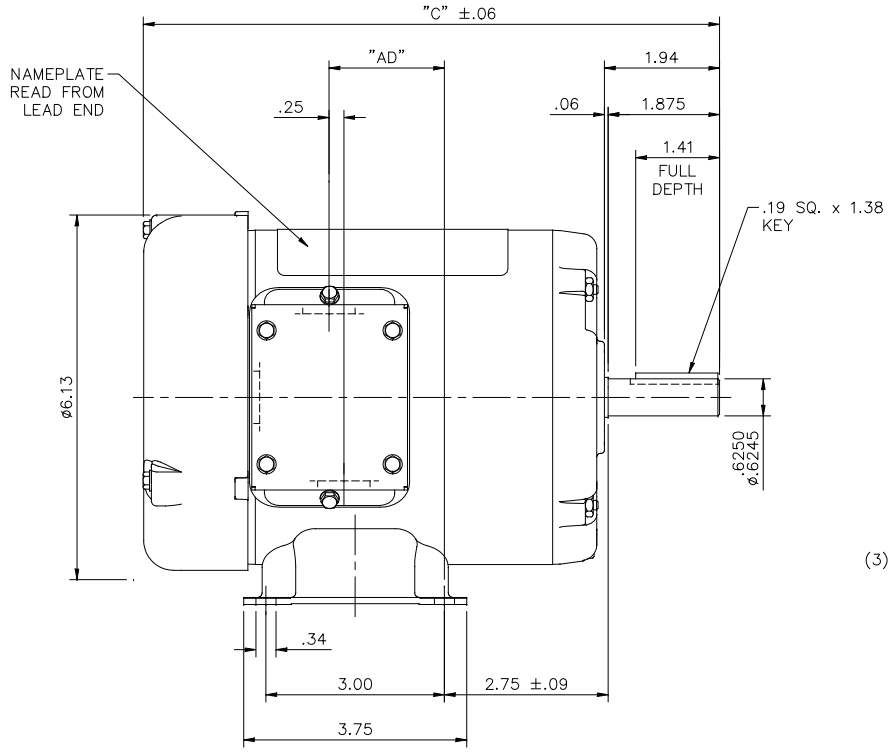
### Nameplate Specifications

Output HP	<b>0.33 Hp</b>	Output KW	<b>0.25 kW</b>
Frequency	<b>60 Hz</b>	Voltage	<b>208-230/460 V</b>
Current	<b>1.5-1.6/0.80 A</b>	Speed	<b>1725 rpm</b>
Service Factor	<b>1.15</b>	Phase	<b>3</b>
Efficiency	<b>64.3 %</b>	Duty	<b>Continuous</b>
Insulation Class	<b>B</b>	Design Code	<b>B</b>
KVA Code	<b>M</b>	Frame	<b>S56</b>
Enclosure	<b>Totally Enclosed Fan Cooled</b>	Overload Protector	<b>No</b>
Ambient Temperature	<b>40 °C</b>	Drive End Bearing Size	<b>6203</b>
Opp Drive End Bearing Size	<b>6203</b>	UL	<b>Recognized</b>
CSA	<b>Y</b>	CE	<b>N</b>
IP Code	<b>43</b>		

### Technical Specifications

Electrical Type	<b>Squirrel Cage Induction Run</b>	Starting Method	<b>Across The Line</b>
Poles	<b>4</b>	Rotation	<b>Reversible</b>
Mounting	<b>Rigid base</b>	Motor Orientation	<b>HORIZONTAL</b>
Drive End Bearing	<b>BALL</b>	Opp Drive End Bearing	<b>BALL</b>
Frame Material	<b>Rolled Steel</b>	Shaft Type	<b>NEMA 56</b>
Overall Length	<b>9.69 in</b>	Frame Length	<b>5.00 in</b>
Shaft Diameter	<b>0.625 in</b>	Shaft Extension	<b>1.88 in</b>
Assembly/Box Mounting	<b>F1 ONLY</b>		
Outline Drawing	<b>031632-500</b>	Connection Diagram	<b>005010.01</b>

**This is an uncontrolled document once printed or downloaded and is subject to change without notice. Date Created: 10/15/2018**



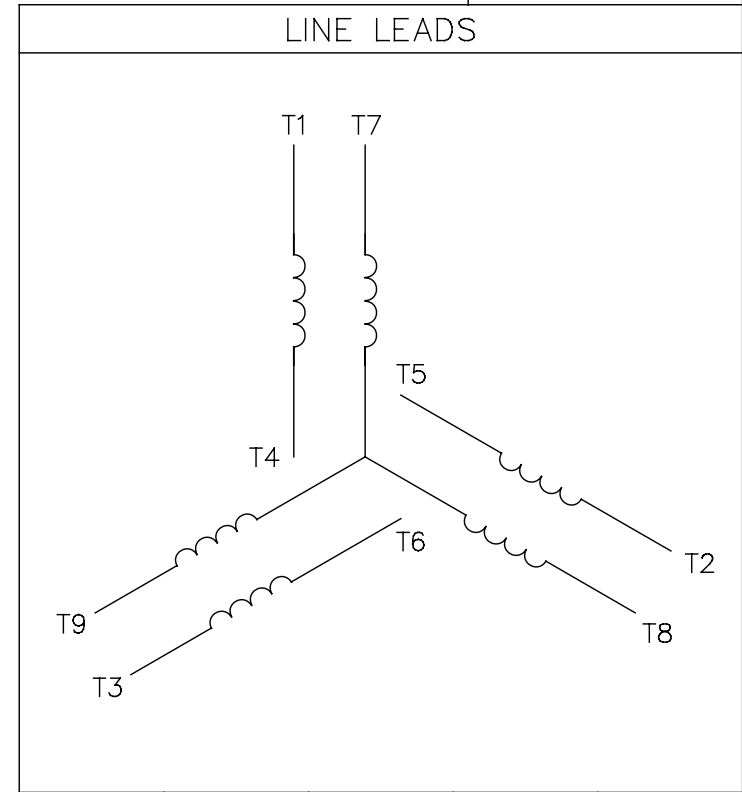
DASH NO.	"C"	"AD"
500	9.69	1.94
525	9.94	2.19
550	10.19	2.44
575	10.44	2.69
600	10.69	2.94
625	10.94	3.19
650	11.19	3.44
675	11.44	3.69

GASKETS THROUGHOUT

			TOLERANCES UNLESS OTHERWISE SPECIFIED			<b>LEESON ELECTRIC CORPORATION</b>		
			DEC.	INCHES	METRIC	DRAWN PG 5/30/01		TITLE
			.X	±.1	±2.5	APPR.		OUTLINE - S56 FRAME
			.XX	±.03	±.76	SCALE 1=2		RIGID MOUNT - TEFC
A	ADDED NAMEPLATE ORIENTATION	DS 04/05/18 PVR	.XXX	±.005	±.127	REF. 030391		MAT'L 3 PHASE
NO.	REVISION	BY & DATE	.XXX	±.0005	±.0127	SCALE 1=2		REV. A
THIS DRAWING IN DESIGN AND DETAIL IS OUR PROPERTY AND MUST NOT BE USED EXCEPT IN CONNECTION WITH OUR WORK ALL RIGHTS OF DESIGN AND INVENTION ARE RESERVED THIS IS AN ELECTRONICALLY GENERATED DOCUMENT - DO NOT SCALE THIS PRINT						FRACTIONS ±1/64	REF. 101078	DRAWING NO. 031632
						ANGLES ±1/2"		

005010-01

VIEW FROM OUTSIDE OF MOTOR AT SWITCH END.



VOLTAGE	L1	L2	L3	JOIN & INSULATE
HIGH	T1	T2	T3	(T4,T7) (T5,T8) (T6,T9)
LOW	T1,T7	T2,T8	T3,T9	T4,T5,T6

				TOLERANCES UNLESS SPECIFIED		<b>Regal Beloit America, Inc.</b>		DRAWN RDW 04/12/02			
				DEC.	INCHES			CHK			
				.X	±.1			APPD			
				.XX	±.01			SCALE 1=1			
				.XXX	±.005	TITLE		REF FIG.2-51			
A	UPDATED TO REGAL LOGO	SAJ 06/26/15	AJY	.XXXX	±.0005	MAT'L.		FMF			
NO.	REVISION	BY & DATE	CHK	ANG	±1/2"	FINISH		PREV			
THIS DRAWING IN DESIGN AND DETAIL IS OUR PROPERTY AND MUST NOT BE USED EXCEPT IN CONNECTION WITH OUR WORK ALL RIGHTS OF DESIGN AND INVENTION ARE RESERVED THIS IS AN ELECTRONICALLY GENERATED DOCUMENT - DO NOT SCALE THIS PRINT				RFP	04/12/02	CAD FILE		00501001	SIZE	DRAWING NO.	REV.
				DIST BRF-NLV				A	005010-01	A	

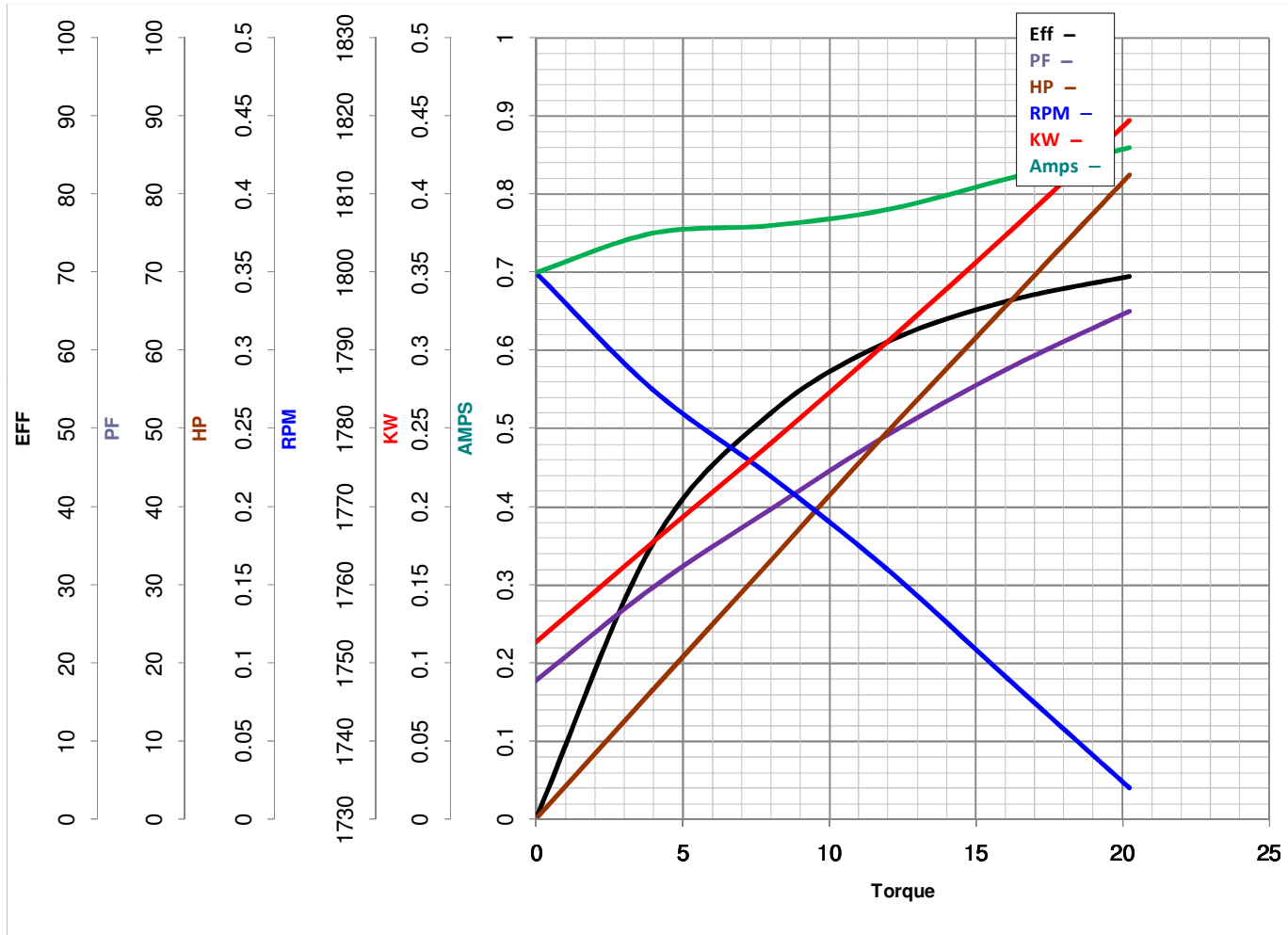


**LEESON ELECTRIC CORPORATION**  
 TYPICAL PERFORMANCE CURVE for AC MOTOR

Model No 101079.00

Catalog No 101079.00

Curve at 460 Volts      HP 0.33      PHASE 3  
60 HZ  
0.33 HP      VOLTS 208-230/460  
    HZ 60      RPM 1725



Torque in Oz.Ft

FL TORQUE 16.08 Oz.Ft  
 BD TORQUE 82.3 Oz.Ft  
 LR TORQUE 67.11 Oz.Ft

FL AMPS 1.5-1.6/8  
 PU TORQUE 66.6 Oz.Ft  
 LR AMPS 4.7

WINDING TE48414-3

Date 5/28/2018