

PRODUCT INFORMATION PACKET



Model No: C4T17FH3C

Catalog No: 101051.00

..1/2HP..1725RPM.S56.TEFC./575V.3PH.60HZ.CONT.40C.1.15SF.RIGID.C4T17FH3C.....575
VOLT.NOT.....
575 Volts



Regal and Leeson are trademarks of Regal Beloit Corporation or one of its affiliated companies.

©2018 Regal Beloit Corporation, All Rights Reserved. MC017097E





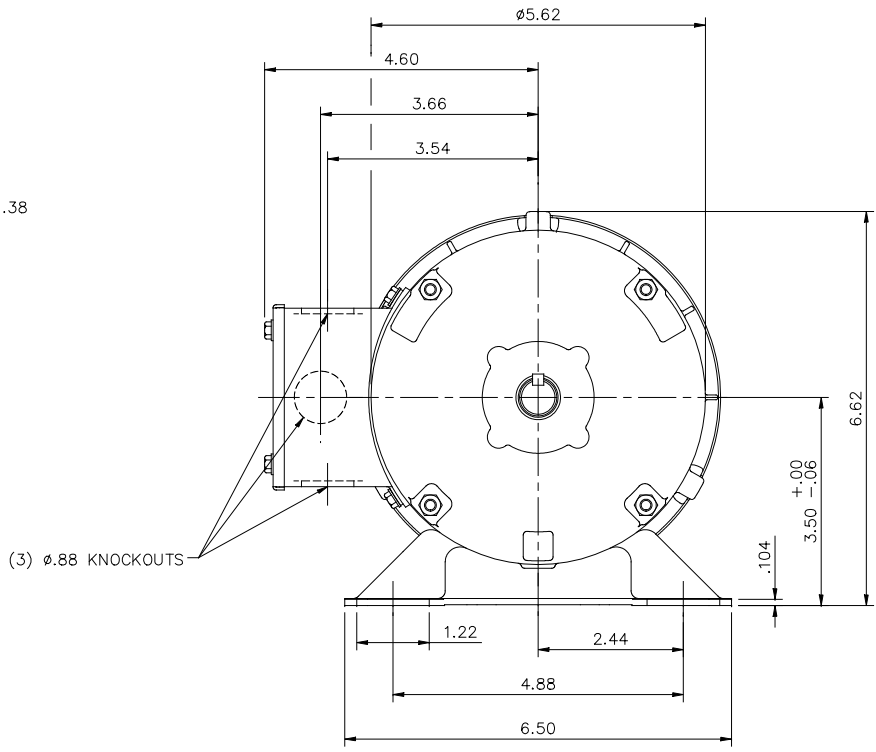
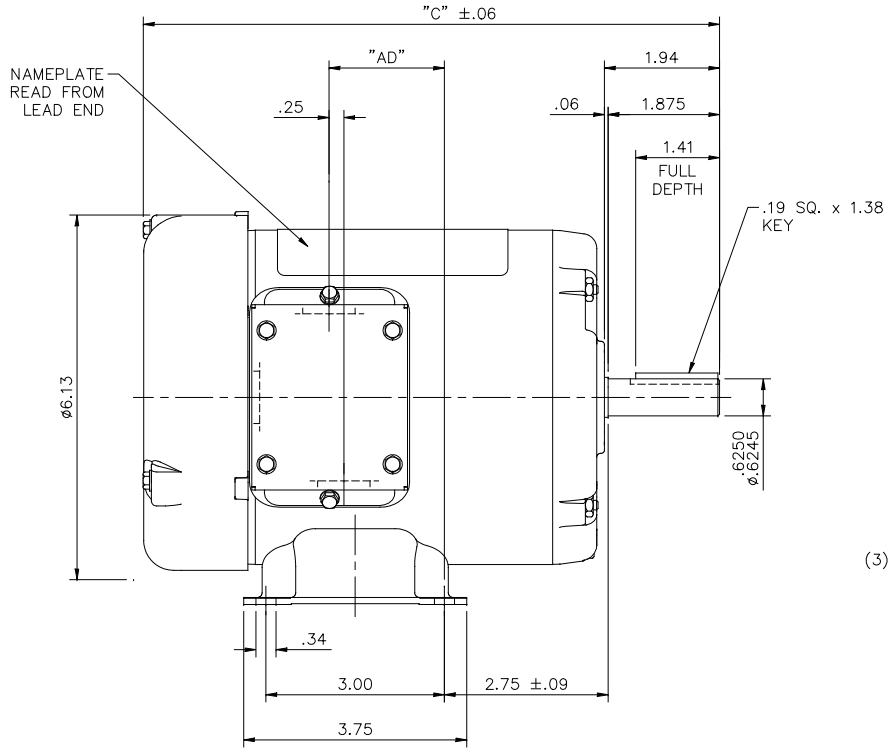
Nameplate Specifications

Output HP	0.50 Hp	Output KW	0.37 kW
Frequency	60 Hz	Voltage	575 V
Current	0.80 A	Speed	1725 rpm
Service Factor	1.15	Phase	3
Efficiency	68 %	Duty	Continuous
Insulation Class	B	Design Code	B
KVA Code	L	Frame	S56
Enclosure	Totally Enclosed Fan Cooled	Overload Protector	No
Ambient Temperature	40 °C	Drive End Bearing Size	6203
Opp Drive End Bearing Size	6203	UL	Recognized
CSA	Y	CE	N
IP Code	43		

Technical Specifications

Electrical Type	Squirrel Cage Induction Run	Starting Method	Across The Line
Poles	4	Rotation	Reversible
Mounting	Rigid base	Motor Orientation	HORIZONTAL
Drive End Bearing	BALL	Opp Drive End Bearing	BALL
Frame Material	Rolled Steel	Shaft Type	NEMA 56
Overall Length	9.94 in	Frame Length	5.25 in
Shaft Diameter	0.625 in	Shaft Extension	1.88 in
Assembly/Box Mounting	F1 ONLY		
Outline Drawing	031632-525	Connection Diagram	005102.01

This is an uncontrolled document once printed or downloaded and is subject to change without notice. Date Created: 10/15/2018



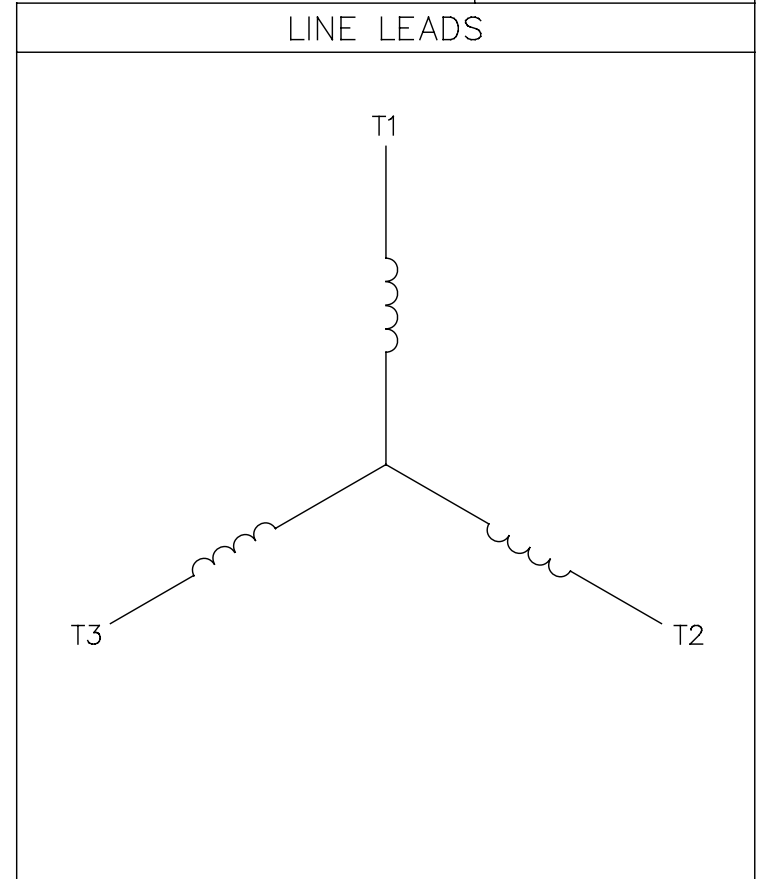
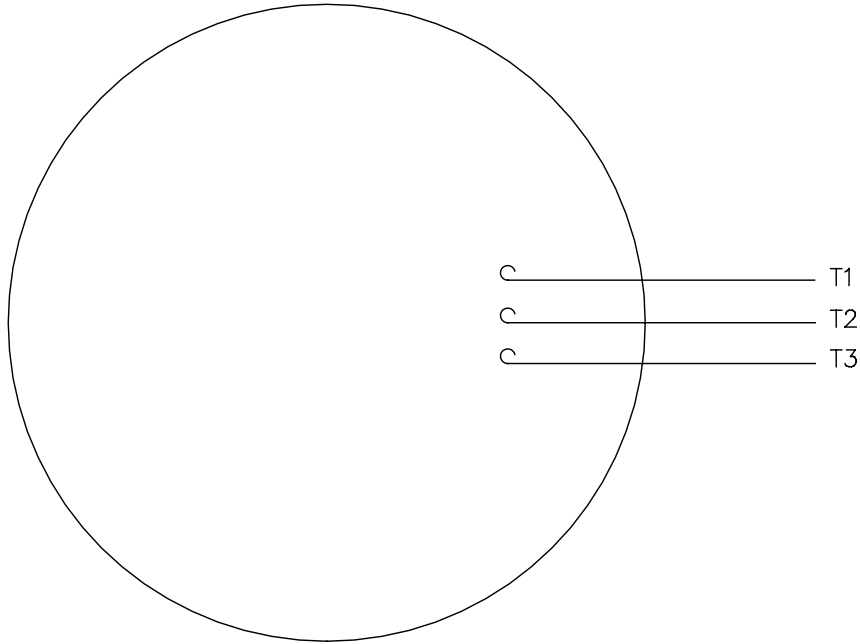
DASH NO.	"C"	"AD"
500	9.69	1.94
525	9.94	2.19
550	10.19	2.44
575	10.44	2.69
600	10.69	2.94
625	10.94	3.19
650	11.19	3.44
675	11.44	3.69

GASKETS THROUGHOUT

			TOLERANCES UNLESS OTHERWISE SPECIFIED			LEESON ELECTRIC CORPORATION		
			DEC.	INCHES	METRIC	DRAWN PG 5/30/01		
			.X	±.1	±2.5	APPR.		
			.XX	±.03	±.76	R.F.P.		
A ADDED NAMEPLATE ORIENTATION			DS	04/05/18	PVR	TITLE OUTLINE - S56 FRAME RIGID MOUNT - TEFC		
NO. REVISION			BY & DATE	CH'K'D.	.XXX	±.005	±.127	MAT'L 3 PHASE
					.XXX	±.0005	±.0127	SCALE 1=2
THIS DRAWING IN DESIGN AND DETAIL IS OUR PROPERTY AND MUST NOT BE USED EXCEPT IN CONNECTION WITH OUR WORK ALL RIGHTS OF DESIGN AND INVENTION ARE RESERVED THIS IS AN ELECTRONICALLY GENERATED DOCUMENT - DO NOT SCALE THIS PRINT						FRACTIONS	±1/64	REF. 030391
						ANGLES	±1/2"	FINISH
						REF.	101078	REV. A
								DRAWING NO. 031632

005102-01

VIEW FROM OUTSIDE OF MOTOR AT SWITCH END.



CONNECT LEADS AS FOLLOWS
FOR FOUR CONDUCTOR CORD ()

CORD	L1 (RED)	L2 (WHITE)	L3 (BLACK)	(GREEN)
MOTOR	T1	T2	T3	GROUND

				TOLERANCES UNLESS SPECIFIED		REGAL ™ Regal Beloit America, Inc.		DRAWN JRW 9/11/75		
				DEC.	INCHES			CHK		
				.X	±.1			APPD JCW 9/11/75		
08	UPDATED TO REGAL LOGO	SAJ 06/26/15	AJY	.XX	±.01	TITLE EXTERNAL WIRING DIAGRAM TYPE "T" W/O PROTECTOR		SCALE 1=1		
07	UPDATED TO CURRENT STANDARDS	DBT 5/30/97		.XXX	±.005			REF W-T6343-6		
06	REDRAWN ON CAD; ADDED DECAL NUMBER	SAW 1/24/95		.XXXX	±.0005			MAT'L. DECAL - 004169		FMF 6T17FB7
NO.	REVISION	BY & DATE	CHK	ANG	±1/2"	FINISH		PREV		
THIS DRAWING IN DESIGN AND DETAIL IS OUR PROPERTY AND MUST NOT BE USED EXCEPT IN CONNECTION WITH OUR WORK ALL RIGHTS OF DESIGN AND INVENTION ARE RESERVED THIS IS AN ELECTRONICALLY GENERATED DOCUMENT - DO NOT SCALE THIS PRINT				RFP	5/1/02	CAD FILE 00510201		SIZE	DRAWING NO.	REV.
				DIST BRF-NLV				A	005102-01	08

