

PRODUCT INFORMATION PACKET



Model No: C4S46DJ1G

Catalog No: 101021.00

..1/3-.15HP..1725/1140RPM.S56.DP./115V.1PH.60HZ.CONT.40C.1.0SF.RESILIENT
BASE.C4S46DJ1G.....FAN & BLOWER.NOT.....

2 Speed



Regal and Leeson are trademarks of Regal Beloit Corporation or one of its affiliated companies.

©2018 Regal Beloit Corporation, All Rights Reserved. MC017097E





Nameplate Specifications

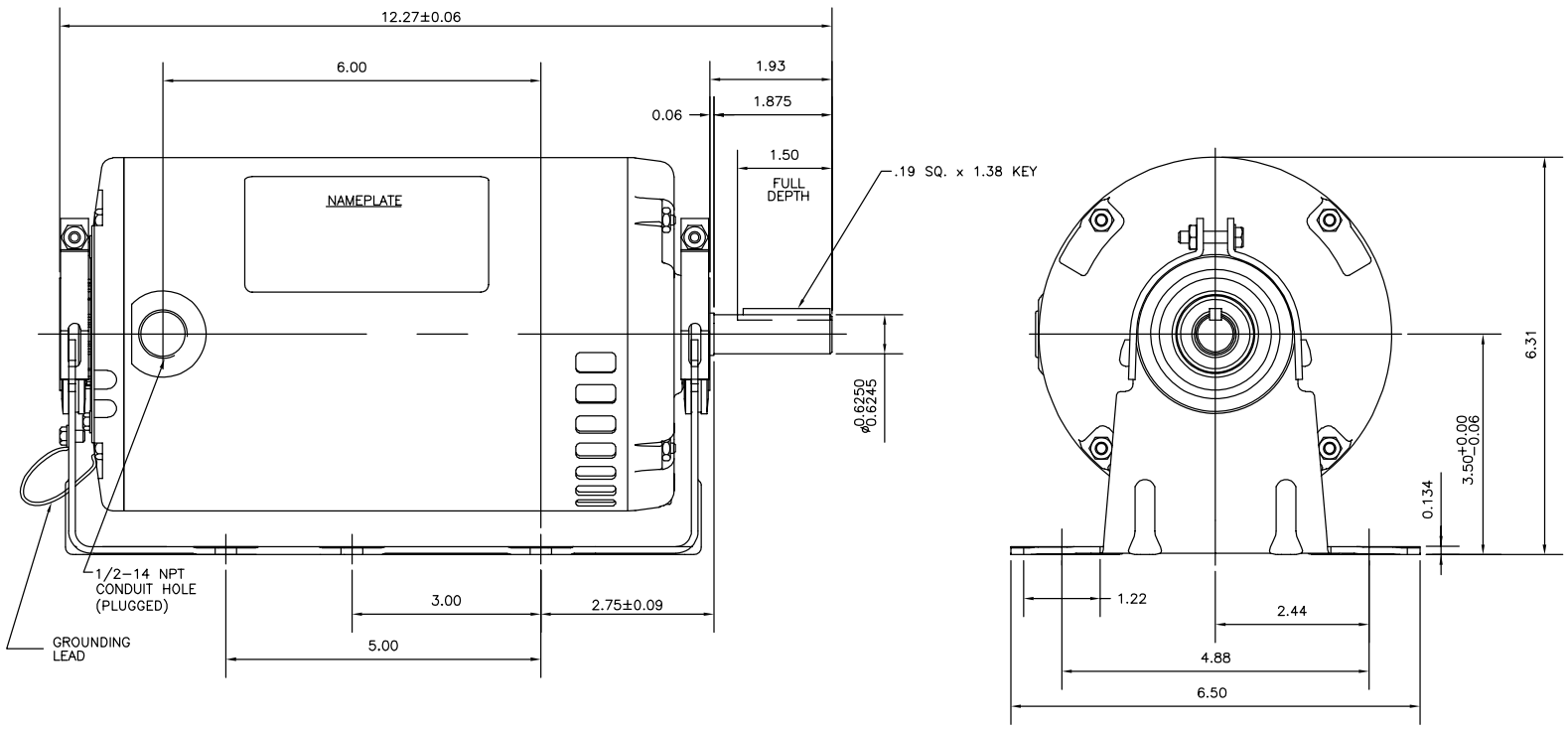
Output HP	0.33,0.15 Hp	Output KW	0.25 kW
Frequency	60 Hz	Voltage	115 V
Current	5,4.6 A	Speed	1725,1140 rpm
Service Factor	1	Phase	1
Efficiency	64 %	Duty	Continuous
Insulation Class	B	Design Code	2VT
KVA Code	P	Frame	S56H
Enclosure	Drip Proof	Overload Protector	No
Ambient Temperature	40 °C	Drive End Bearing Size	6203
Opp Drive End Bearing Size	6203	UL	Recognized
CSA	Y	CE	N
IP Code	22		

Technical Specifications

Electrical Type	Split Phase	Starting Method	Across The Line
Poles	4//6	Rotation	Selective Counterclockwise
Mounting	Resilient Base	Motor Orientation	HORIZONTAL
Drive End Bearing	BALL	Opp Drive End Bearing	BALL
Frame Material	Rolled Steel	Shaft Type	T
Overall Length	12.27 in	Frame Length	8.00 in
Shaft Diameter	0.625 in	Shaft Extension	1.88 in
Assembly/Box Mounting	F1 ONLY		
Outline Drawing	OL101021	Connection Diagram	005480.01

This is an uncontrolled document once printed or downloaded and is subject to change without notice. Date Created: 10/15/2018

OL101021



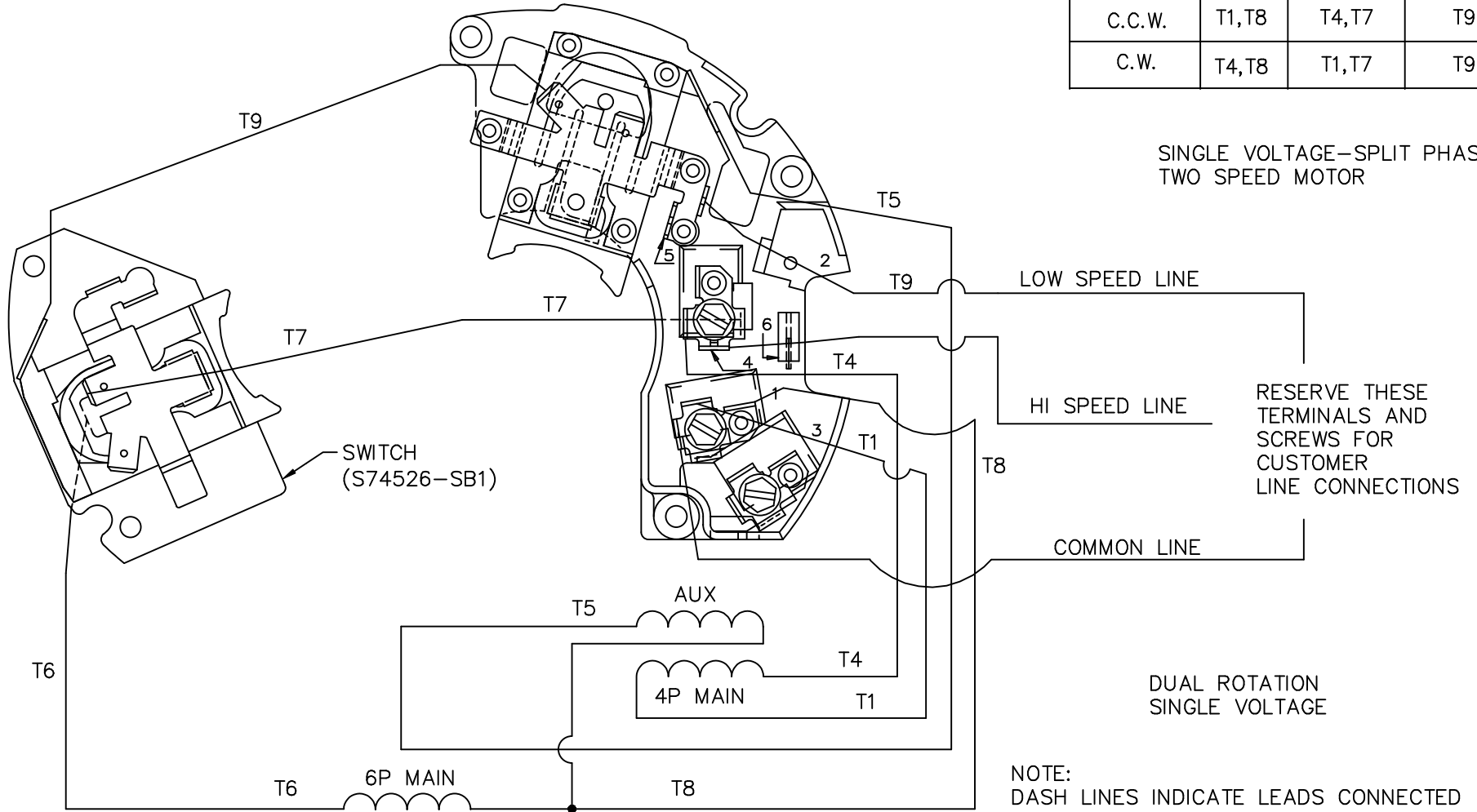
		TOLERANCES UNLESS SPECIFIED		LEESON		ELECTRIC MOTORS GEARMOTORS AND DRIVES		DRAWN KMM 03/12/04			
		DEC.	INCHES					CHK			
		X	±.1					APPD			
		.XX	±.03	TITLE		OUTLINE - S56H FRAME		SCALE	5=8		
02	UPDATED PER ECO-0053237	PST	8/18/14	PI	.XXX	±.005	1 PHASE - RESILIENT MOUNT - DRIP PROOF		REF		
01	FRAME DESIGNATION WAS S56	KMM	3/15/04		.JXXX	±.0005	MAT'L		FMF 101021.00		
NO.	REVISION	BY & DATE	CHK	ANG	±1/2'	FINISH		PREV			
THIS DRAWING IN DESIGN AND DETAIL IS OUR PROPERTY AND MUST NOT BE USED EXCEPT IN CONNECTION WITH OUR WORK ALL RIGHTS OF DESIGN AND INVENTION ARE RESERVED THIS IS AN ELECTRONICALLY GENERATED DOCUMENT - DO NOT SCALE THIS PRINT					RFP	CAD FILE		OL101021	SIZE	DRAWING NO.	REV.
					DIST			B	OL101021	02	

VIEWING TERMINAL END

005480-01

ROTATION FACING LEAD END	L1	L2	
		HI SPEED	LOW SPEED
C.C.W.	T1,T8	T4,T7	T9
C.W.	T4,T8	T1,T7	T9

SINGLE VOLTAGE-SPLIT PHASE
TWO SPEED MOTOR



RESERVE THESE
TERMINALS AND
SCREWS FOR
CUSTOMER
LINE CONNECTIONS

DUAL ROTATION
SINGLE VOLTAGE

NOTE:
DASH LINES INDICATE LEADS CONNECTED
TO MOTOR SIDE OF SWITCH

TOLERANCES UNLESS SPECIFIED	
DEC.	INCHES
.X	±.1
.XX	±.01
.XXX	±.005
.XXXX	±.0005
ANG	±1/2°

REGAL-BELOIT *Motor Technologies Group*

TITLE
EXTERNAL WIRING DIAGRAM
2 SPEED - DUAL ROTATION

DRAWN	KMM 03/12/04
CHK	
APPD	
SCALE	1=1
REF	EXPR040152
FMF	101021.00
PREV	

NO.	REVISION	BY & DATE	CHK

THIS DRAWING IN DESIGN AND DETAIL IS OUR PROPERTY AND MUST NOT BE USED EXCEPT
IN CONNECTION WITH OUR WORK ALL RIGHTS OF DESIGN AND INVENTION ARE RESERVED
THIS IS AN ELECTRONICALLY GENERATED DOCUMENT - DO NOT SCALE THIS PRINT

RFP	CAD FILE	00548001	SIZE	DRAWING NO.	REV.
DIST			A	005480-01	



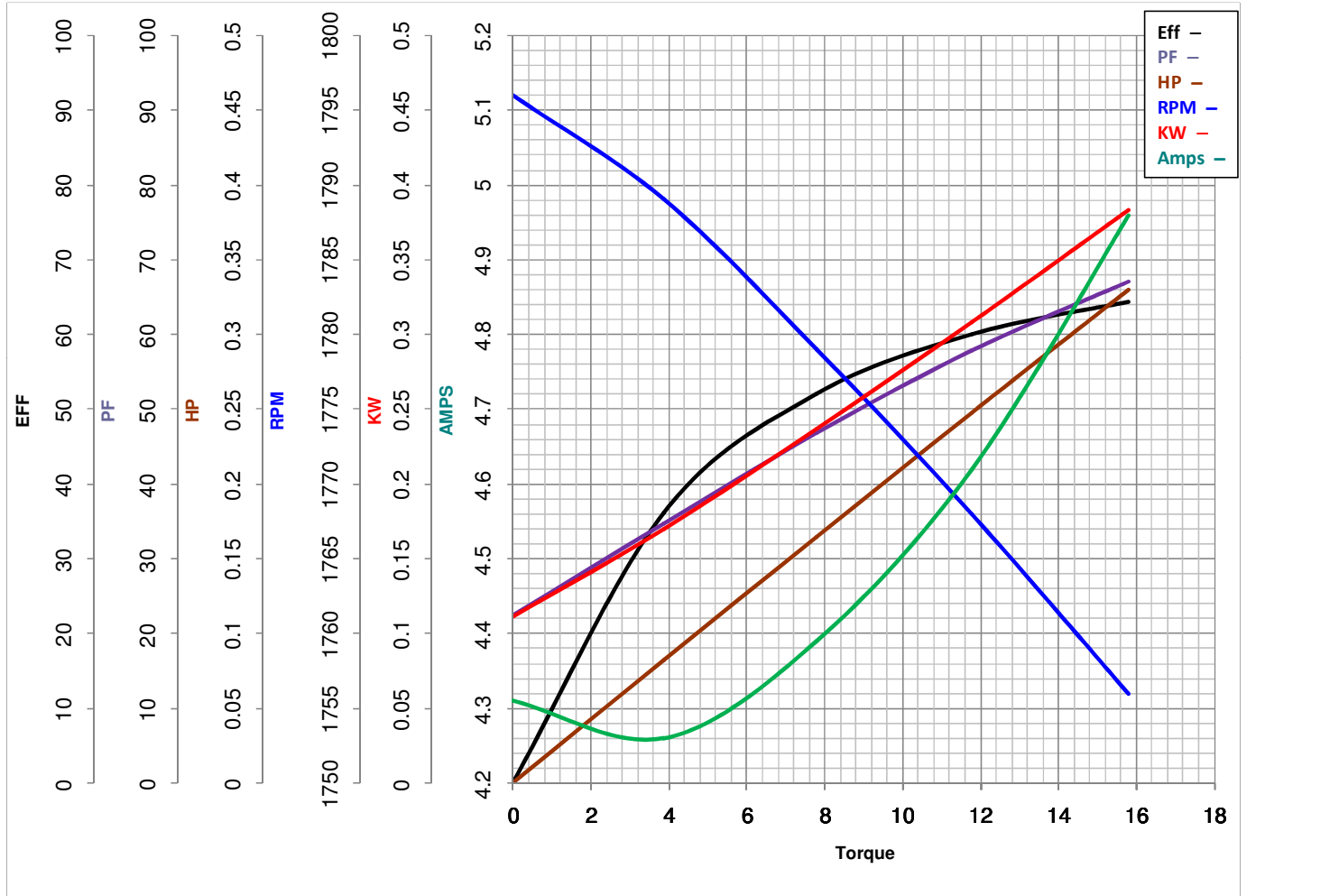
LEESON ELECTRIC CORPORATION
 TYPICAL PERFORMANCE CURVE for AC MOTOR

Model No 101021.00

Catalog No 101021.00

Curve at 115 Volts HP 0.33&0.15 PHASE 1
60 HZ
0.33 HP VOLTS 115&115

HZ 60&60 RPM 1725&1140



FL TORQUE	<u>15.79</u> Oz.Ft	FL AMPS	<u>5</u>
BD TORQUE	<u>45.6</u> Oz.Ft	PU TORQUE	<u>21.8</u> Oz.Ft
LR TORQUE	<u>25.6</u> Oz.Ft	LR AMPS	<u>38</u>
WINDING	SE48(4-6)17-1	Date	4/27/2018