

PRODUCT INFORMATION PACKET



Model No: C4S46DR1J

Catalog No: 101020.00

.25/.11HP..1725/1140RPM.48.DP./115V.1PH.60HZ.CONT.NOT.40C.1.0SF.RESILIENT RINGS.FAN & BLOWER.C4S46DR1J

2 Speed



Regal and Leeson are trademarks of Regal Beloit Corporation or one of its affiliated companies.

©2018 Regal Beloit Corporation, All Rights Reserved. MC017097E





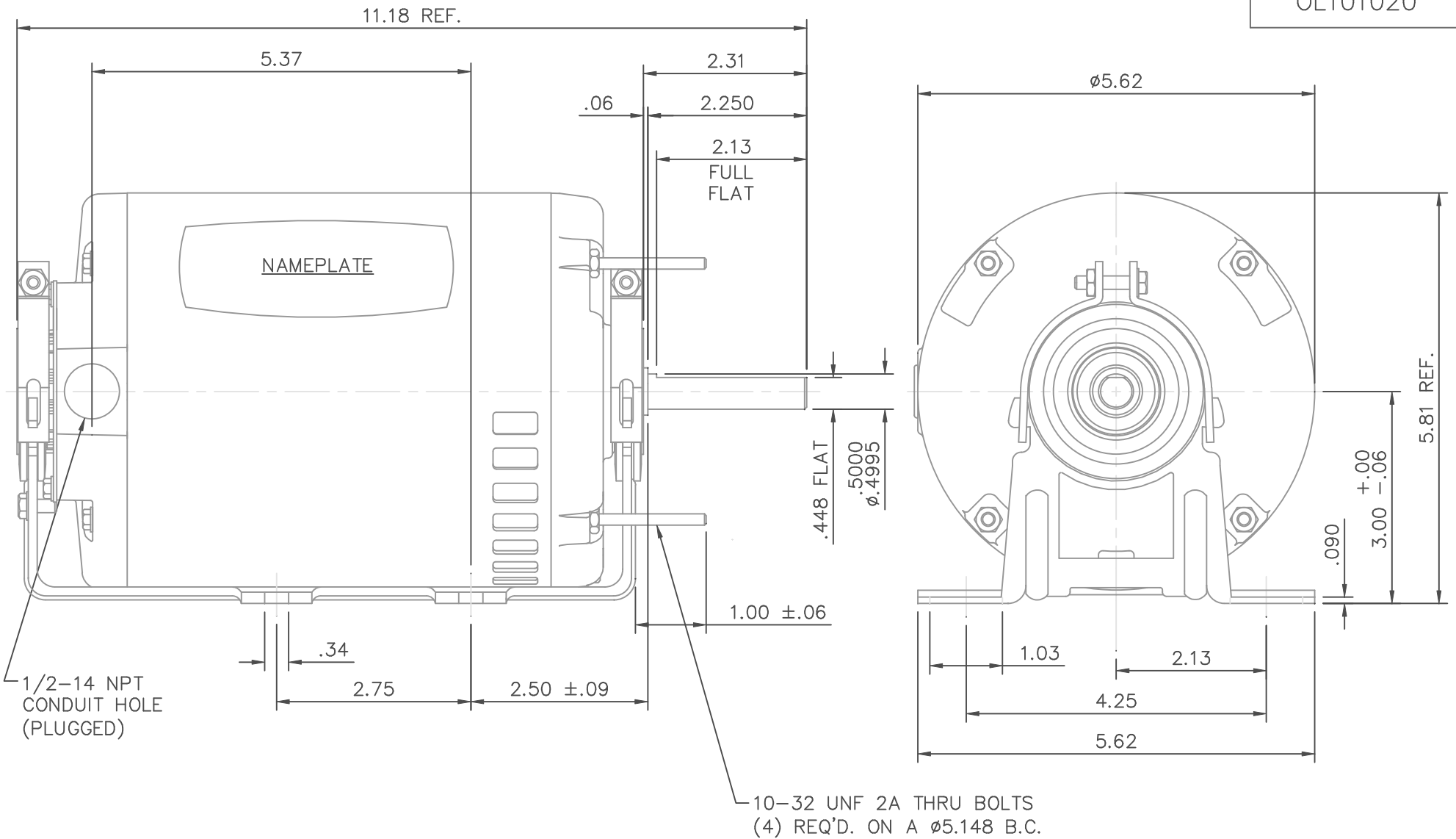
Nameplate Specifications


Output HP	0.25,0.10 Hp	Output KW	0.19 kW
Frequency	60 Hz	Voltage	115 V
Current	4.6,3.4 A	Speed	1725,1150 rpm
Service Factor	1	Phase	1
Efficiency	55 %	Duty	Continuous
Insulation Class	B	Design Code	2VT
KVA Code	P	Frame	48Z
Enclosure	Drip Proof	Overload Protector	No
Ambient Temperature	40 °C	Drive End Bearing Size	6203
Opp Drive End Bearing Size	6203	UL	Recognized
CSA	Y	CE	N
IP Code	22		

Technical Specifications

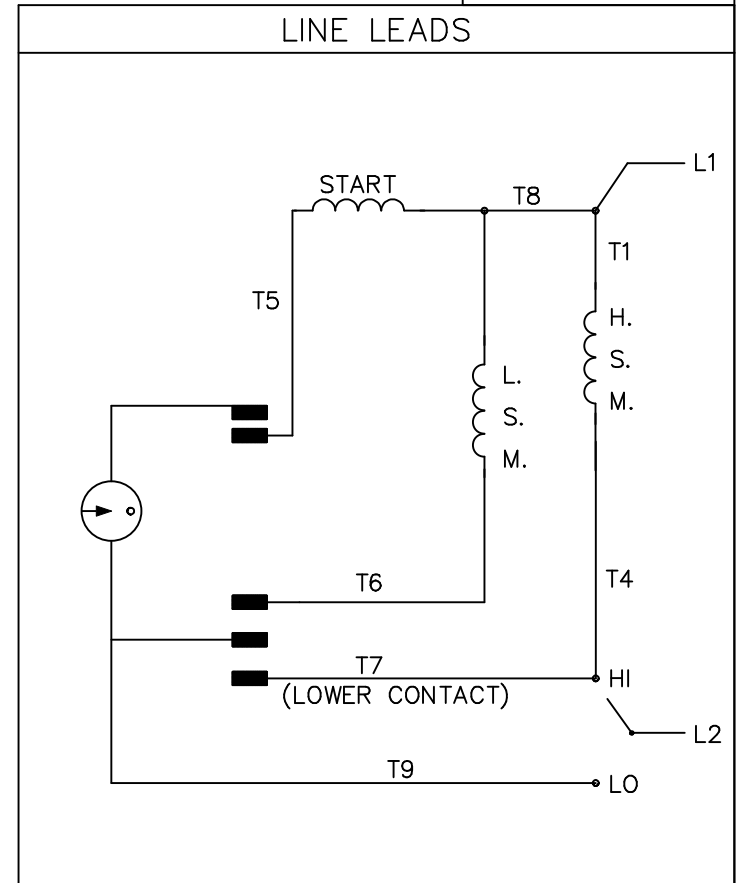
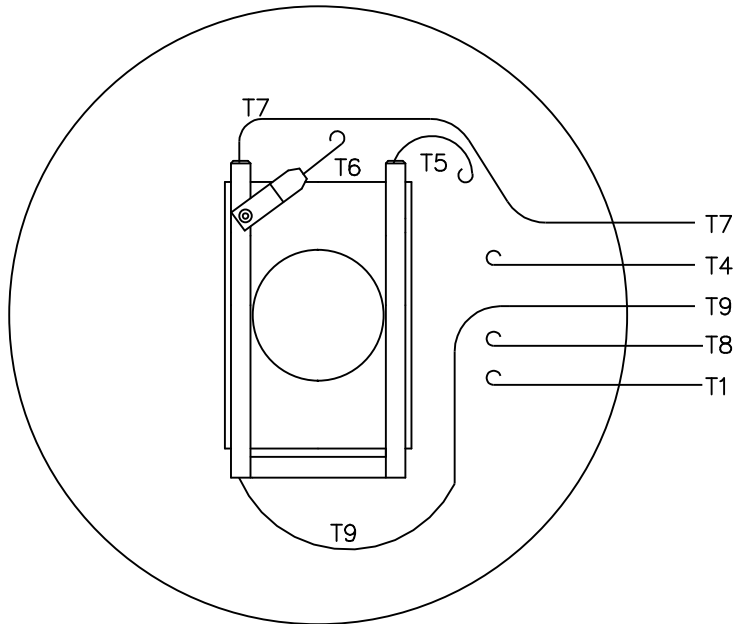
Electrical Type	Split Phase	Starting Method	Across The Line
Poles	4//6	Rotation	Selective Counterclockwise
Mounting	Resilient Rings	Motor Orientation	HORIZONTAL
Drive End Bearing	BALL	Opp Drive End Bearing	BALL
Frame Material	Rolled Steel	Shaft Type	Single Special Extension
Overall Length	11.18 in	Frame Length	6.00 in
Shaft Diameter	0.500 in	Shaft Extension	2.25 in
Assembly/Box Mounting	F1 ONLY		
Outline Drawing	OL101020	Connection Diagram	005203.01

This is an uncontrolled document once printed or downloaded and is subject to change without notice. Date Created: 10/15/2018



				TOLERANCES UNLESS SPECIFIED		 ELECTRIC MOTORS GEARMOTORS AND DRIVES	DRAWN LST 02/15/06		
				DEC.	INCHES		CHK RW 02/23/06		
04	UPDATED TO WP MECHANICAL DESIGN	KMM 4/10/07	PG	.X	±.1	TITLE OUTLINE - 48Z FRAME RESILIENT MOUNT - DRIP PROOF	APPD KH 02/23/06		
03	REDRAWN, CHANGED PLATFORMS FROM WP TO BRF	LST 02/14/06		.XX	±.03		SCALE 1=2		
02	REDRAWN, CHANGED PLATFORMS FROM BRF TO WP	PG 08/13/04		.XXX	±.005		REF		
01	ADDED FRAME VENTS TO MATCH PARTS PER ECR 77527	BJB 7/02		.XXXX	±.0005		MAT'L.	FMF 101020.00	
NO.	REVISION	BY & DATE	CHK	ANG	±1/2'		FINISH	PREV	
THIS DRAWING IN DESIGN AND DETAIL IS OUR PROPERTY AND MUST NOT BE USED EXCEPT IN CONNECTION WITH OUR WORK ALL RIGHTS OF DESIGN AND INVENTION ARE RESERVED THIS IS AN ELECTRONICALLY GENERATED DOCUMENT - DO NOT SCALE THIS PRINT				RFP		CAD FILE OL101020	SIZE A	DRAWING NO. OL101020	REV. 04
				DIST	BRF				

VIEW FROM OUTSIDE OF MOTOR AT SWITCH END.



ROTATION FACING LEAD END	L1	L2	
		HI SPEED	LOW SPEED
C.C.W.	T1, T8	T4, T7	T9
C.W.	T4, T8	T1, T7	T9

				TOLERANCES UNLESS OTHERWISE SPECIFIED		LEESON ELECTRIC CORPORATION			
				DECIMALS					
				.00	± .01	DRAWN PG 10/21/83	TITLE EXTERNAL WIRING DIAGRAM		
				.000	± .005	CH'K'D. TEM	TYPE "S" W/O PROTECTOR		
02	REDRAWN ON CAD	DBT	06/09/97	.0000	± .0005	APPR. 10/21/83	MAT'L. DECAL - 080092		
NO.	REVISION	BY	DATE	FRACTIONS	± 1/64	SCALE 1=1	SPLIT PHASE		
THIS DRAWING IN DESIGN AND DETAIL IS OUR PROPERTY AND MUST NOT BE USED EXCEPT IN CONNECTION WITH OUR WORK ALL RIGHTS OF DESIGN AND INVENTION ARE RESERVED				ANGLES	± 1/2°	REF. 005192	FINISH	SIZE	DRAWING NO.
				INCH/MM		FMF W555(4-6)1	65460B1	A	005203-01

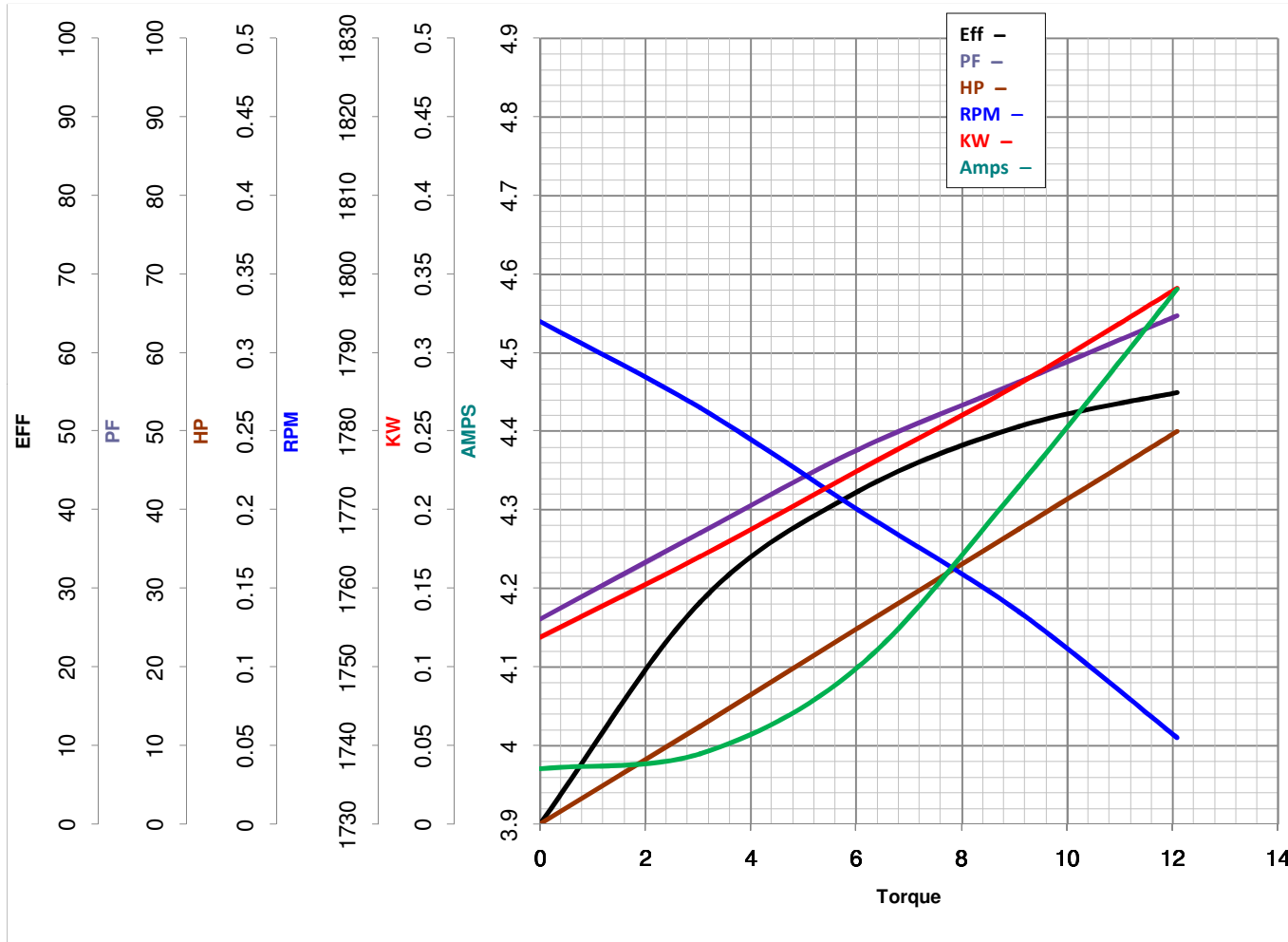


LEESON ELECTRIC CORPORATION
TYPICAL PERFORMANCE CURVE for AC MOTOR

Model No 101020.00

Catalog No 101020.00

Curve at 115 Volts HP 0.25 PHASE 1
60 HZ
0.25 HP VOLTS 115
 HZ 60 RPM 1725



Torque in OZ-FT

FL TORQUE 12.1 OZ-FT
 BD TORQUE 26.7 OZ-FT
 LR TORQUE 13.7 OZ-FT

FL AMPS 4.6
 PU TORQUE 9.1 OZ-FT
 LR AMPS 29.8

WINDING S55(4-6)3-1

Date 3/22/2018