

PRODUCT INFORMATION PACKET



Model No: C4T34NB3D

Catalog No: 101013.00

1/3HP..3450/2850RPM.48.TENV.208-

230/460V.3PH.60/50HZ.CONT.NOT.40C.1.15/1.15SF.RIGID.GENERAL PURPOSE.C4T34NB3D

Totally Enclosed Non-Ventilated (TENV)



Regal and Leeson are trademarks of Regal Beloit Corporation or one of its affiliated companies.

©2018 Regal Beloit Corporation, All Rights Reserved. MC017097E





Nameplate Specifications

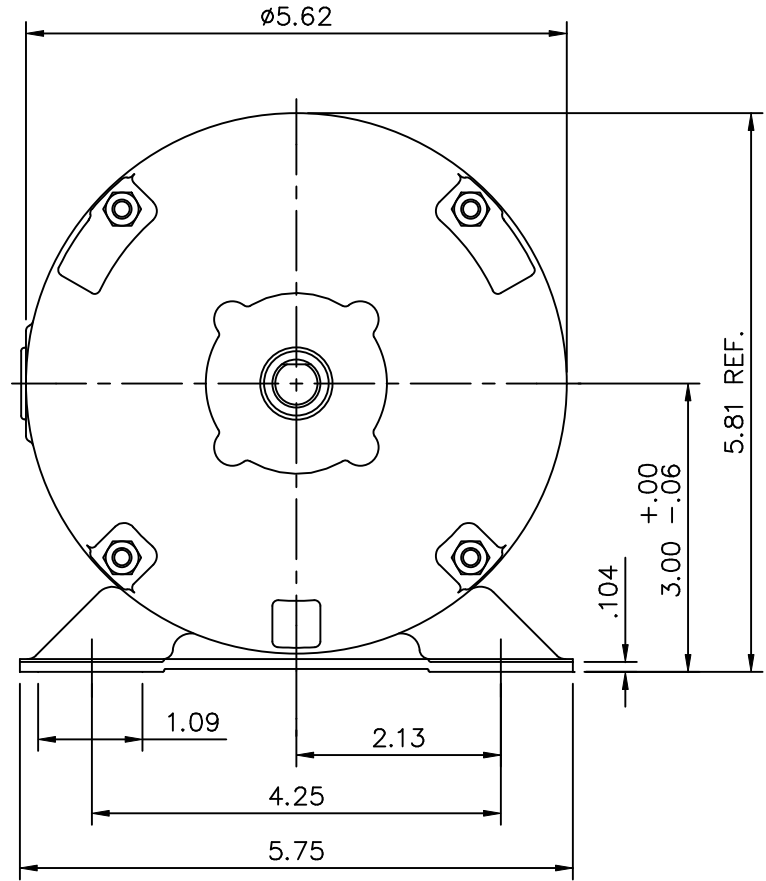
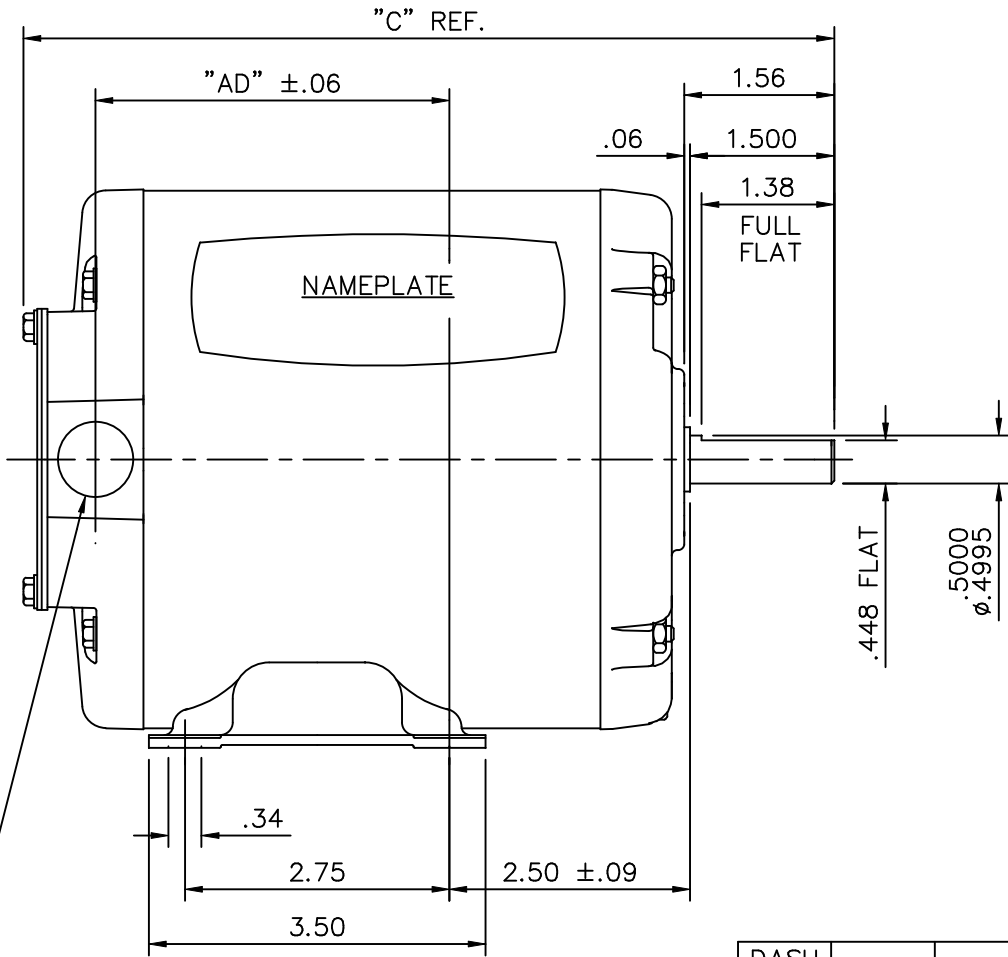
Output HP	0.33 Hp	Output KW	0.25 kW
Frequency	60 Hz	Voltage	208-230/460 V
Current	1.2-1.2/0.60 A	Speed	3450 rpm
Service Factor	1.15	Phase	3
Efficiency	72 %	Duty	Continuous
Insulation Class	B	Design Code	NO DESIGN CODE
KVA Code	N	Frame	48
Enclosure	Totally Enclosed Non Ventilated	Overload Protector	No
Ambient Temperature	40 °C	Drive End Bearing Size	6203
Opp Drive End Bearing Size	6203	UL	Recognized
CSA	Y	CE	N
IP Code	43		

Technical Specifications

Electrical Type	Squirrel Cage Induction Run	Starting Method	Across The Line
Poles	2	Rotation	Reversible
Mounting	Rigid base	Motor Orientation	HORIZONTAL
Drive End Bearing	BALL	Opp Drive End Bearing	BALL
Frame Material	Rolled Steel	Shaft Type	NEMA 48
Overall Length	8.62 in	Frame Length	5.00 in
Shaft Diameter	0.500 in	Shaft Extension	1.5 in
Assembly/Box Mounting	F1 ONLY		
Outline Drawing	031804-500	Connection Diagram	005010.01

This is an uncontrolled document once printed or downloaded and is subject to change without notice. Date Created: 10/15/2018

031804



DASH NO.	"C"	"AD"
450	8.12	3.43
475	8.37	3.68
500	8.62	3.93
525	8.87	4.18
550	9.12	4.43
575	9.37	4.68
600	9.62	4.93

1/2-14 NPT
CONDUIT HOLE
(PLUGGED)

GASKETS THROUGHOUT

TOLERANCES UNLESS SPECIFIED	
DEC.	INCHES
.X	±.1
.XX	±.03
.XXX	±.005
.XXXX	±.0005
ANG	±1/2°



ELECTRIC MOTORS
GEARMOTORS
AND DRIVES

DRAWN	PG 02/17/05
CHK	
APPD	PG 02/17/05
SCALE	1=2
REF	031086
FMF	101013.00
PREV	

TITLE	OUTLINE - 48 FRAME RIGID MOUNT - TENV
MAT'L.	
FINISH	

NO.	REVISION	BY & DATE	CHK	ANG

THIS DRAWING IN DESIGN AND DETAIL IS OUR PROPERTY AND MUST NOT BE USED EXCEPT IN CONNECTION WITH OUR WORK ALL RIGHTS OF DESIGN AND INVENTION ARE RESERVED THIS IS AN ELECTRONICALLY GENERATED DOCUMENT - DO NOT SCALE THIS PRINT

RFP	CAD FILE	031804	SIZE	DRAWING NO.	REV.
DIST			A	031804	

005010-01

VIEW FROM OUTSIDE OF MOTOR AT SWITCH END.



VOLTAGE	L1	L2	L3	JOIN & INSULATE
HIGH	T1	T2	T3	(T4,T7) (T5,T8) (T6,T9)
LOW	T1,T7	T2,T8	T3,T9	T4,T5,T6

				TOLERANCES UNLESS SPECIFIED		Regal Beloit America, Inc.		DRAWN RDW 04/12/02		
				DEC.	INCHES			CHK		
				.X	±.1			APPD		
				.XX	±.01			SCALE 1=1		
				.XXX	±.005	REF FIG.2-51				
A	UPDATED TO REGAL LOGO	SAJ 06/26/15	AJY	.XXXX	±.0005	TITLE EXTERNAL WIRING DIAGRAM 3 PHASE W/O PROTECTOR		MAT'L. DECAL - 004014		
NO.	REVISION	BY & DATE	CHK	ANG	±1/2"	FINISH		PREV		
THIS DRAWING IN DESIGN AND DETAIL IS OUR PROPERTY AND MUST NOT BE USED EXCEPT IN CONNECTION WITH OUR WORK ALL RIGHTS OF DESIGN AND INVENTION ARE RESERVED THIS IS AN ELECTRONICALLY GENERATED DOCUMENT - DO NOT SCALE THIS PRINT				RFP	04/12/02	CAD FILE 00501001		SIZE	DRAWING NO.	REV.
				DIST	BRF-NLV			A	005010-01	A



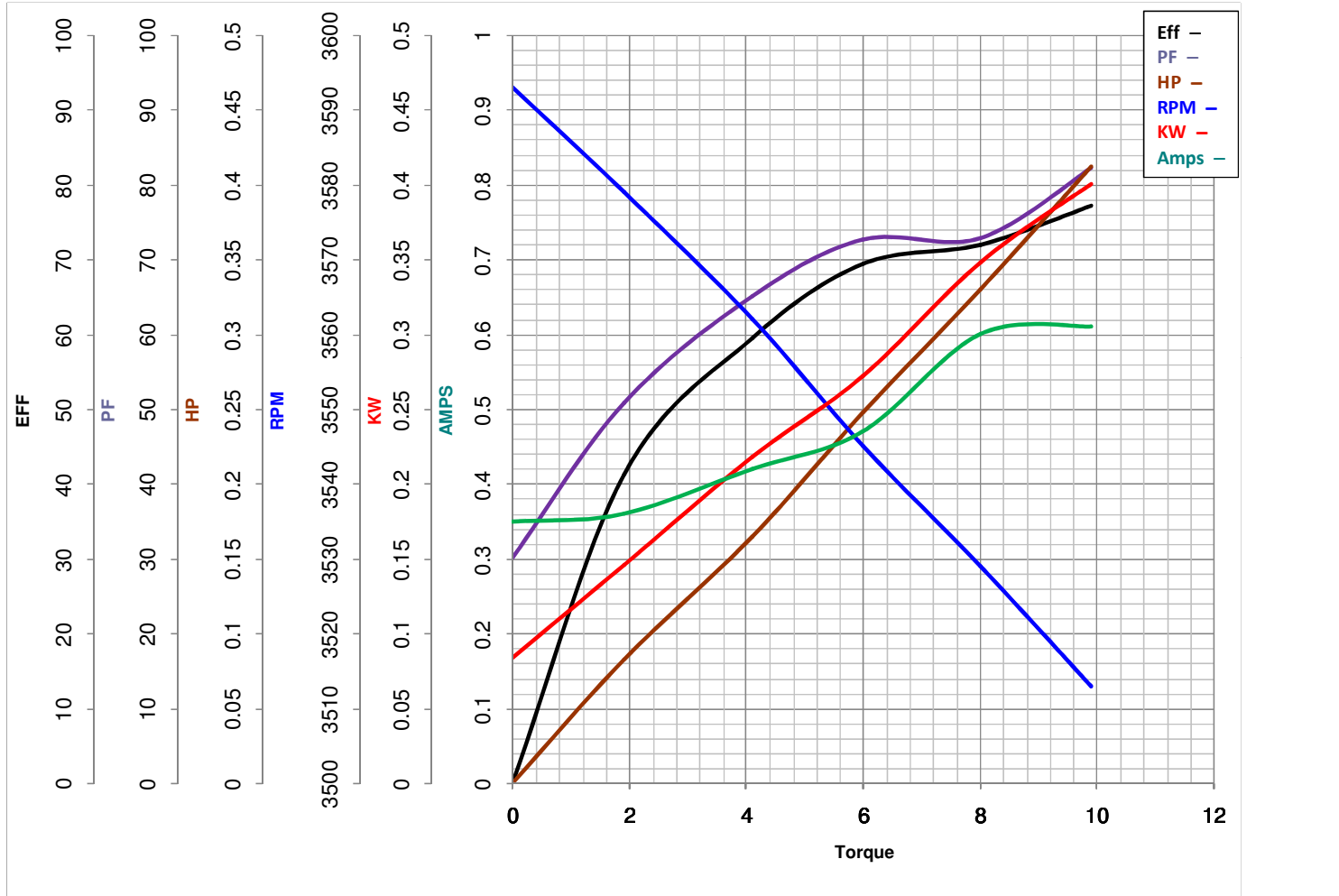
LEESON ELECTRIC CORPORATION
 TYPICAL PERFORMANCE CURVE for AC MOTOR

Model No 101013.00

Catalog No 101013.00

Curve at 460 Volts HP 0.33&0.33 PHASE 3
60 HZ
0.33 HP VOLTS 208-230/460&208-230/460

HZ 60&50 RPM 3450&2850



Torque in Oz.Ft

FL TORQUE 8 Oz.Ft
 BD TORQUE 38.5 Oz.Ft
 LR TORQUE 27.5 Oz.Ft

FL AMPS 1.2-1.2/6
 PU TORQUE 26.0 Oz.Ft
 LR AMPS 5

WINDING T55234-3

Date 5/22/2018