

PRODUCT INFORMATION PACKET



Model No: C4T17FH1D

Catalog No: 100913.00

1/2HP..1725RPM.S56.TEFC.208-230/460V.3PH.60HZ.CONT.NOT.40C.1.15SF.RIGID.GENERAL
PURPOSE.C4T17FH1D

Totally Enclosed Fan Cooled (TEFC)



Regal and Leeson are trademarks of Regal Beloit Corporation or one of its affiliated companies.

©2018 Regal Beloit Corporation, All Rights Reserved. MC017097E





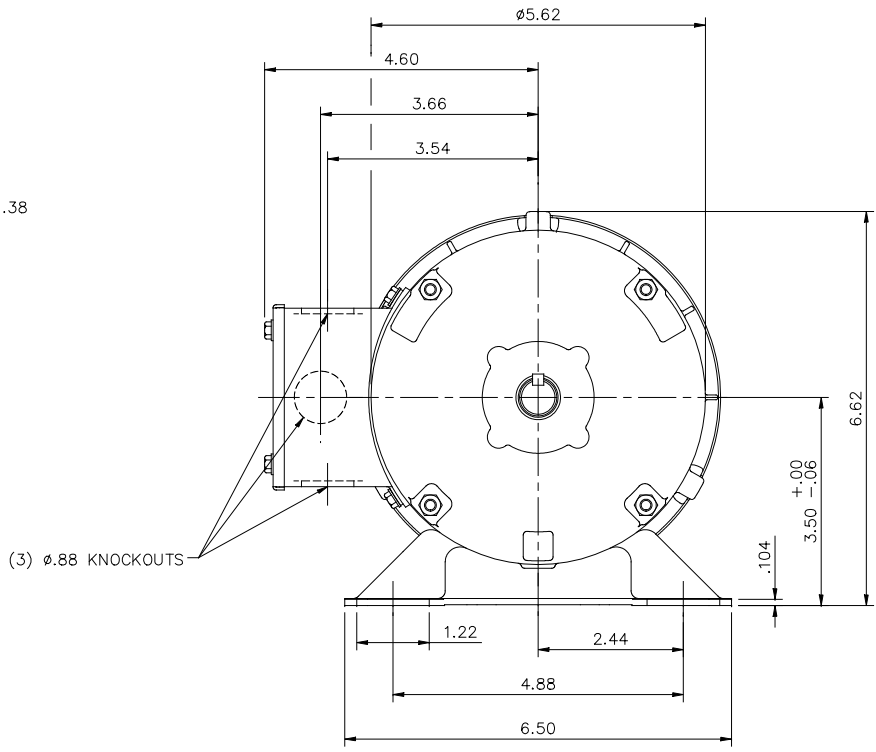
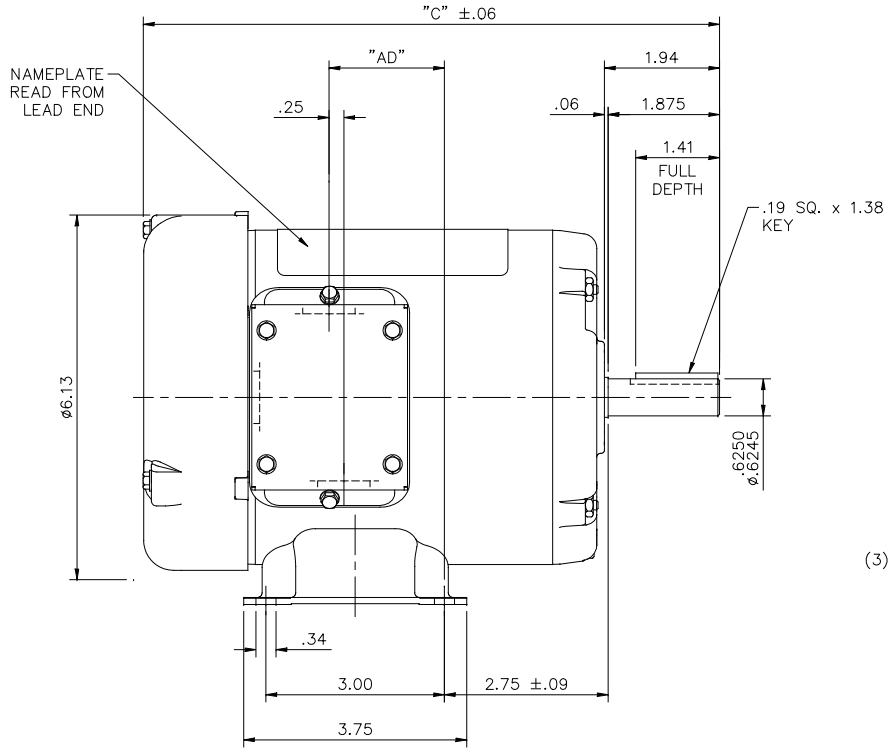
Nameplate Specifications

Output HP	0.50 Hp	Output KW	0.37 kW
Frequency	60 Hz	Voltage	208-230/460 V
Current	1.9-2.0/1.0 A	Speed	1725 rpm
Service Factor	1.15	Phase	3
Efficiency	73 %	Duty	Continuous
Insulation Class	B	Design Code	B
KVA Code	L	Frame	S56
Enclosure	Totally Enclosed Fan Cooled	Overload Protector	No
Ambient Temperature	40 °C	Drive End Bearing Size	6203
Opp Drive End Bearing Size	6203	UL	Recognized
CSA	Y	CE	N
IP Code	43		

Technical Specifications

Electrical Type	Squirrel Cage Induction Run	Starting Method	Across The Line
Poles	4	Rotation	Reversible
Mounting	Rigid base	Motor Orientation	HORIZONTAL
Drive End Bearing	BALL	Opp Drive End Bearing	BALL
Frame Material	Rolled Steel	Shaft Type	NEMA 56
Overall Length	9.94 in	Frame Length	5.25 in
Shaft Diameter	0.625 in	Shaft Extension	1.88 in
Assembly/Box Mounting	F1 ONLY		
Outline Drawing	031632-525	Connection Diagram	005010.01

This is an uncontrolled document once printed or downloaded and is subject to change without notice. Date Created: 10/15/2018



DASH NO.	"C"	"AD"
500	9.69	1.94
525	9.94	2.19
550	10.19	2.44
575	10.44	2.69
600	10.69	2.94
625	10.94	3.19
650	11.19	3.44
675	11.44	3.69

GASKETS THROUGHOUT

			TOLERANCES UNLESS OTHERWISE SPECIFIED			LEESON ELECTRIC CORPORATION		
			DEC.	INCHES	METRIC	DRAWN	PG 5/30/01	TITLE
			.X	±.1	±2.5	APPR.		OUTLINE - S56 FRAME
			.XX	±.03	±.76			RIGID MOUNT - TEFC
A	ADDED NAMEPLATE ORIENTATION	DS 04/05/18 PVR	.XXX	±.005	±.127			MAT'L
NO.	REVISION	BY & DATE	.XXX	±.0005	±.0127	SCALE	1=2	3 PHASE
THIS DRAWING IN DESIGN AND DETAIL IS OUR PROPERTY AND MUST NOT BE USED EXCEPT IN CONNECTION WITH OUR WORK ALL RIGHTS OF DESIGN AND INVENTION ARE RESERVED THIS IS AN ELECTRONICALLY GENERATED DOCUMENT - DO NOT SCALE THIS PRINT						FRACTIONS	±1/64	REF.
						ANGLES	±1/2"	REF. 030391
								FINISH 101078
								REV. A
								DRAWING NO. 031632

005010-01

VIEW FROM OUTSIDE OF MOTOR AT SWITCH END.



VOLTAGE	L1	L2	L3	JOIN & INSULATE
HIGH	T1	T2	T3	(T4,T7) (T5,T8) (T6,T9)
LOW	T1,T7	T2,T8	T3,T9	T4,T5,T6

				TOLERANCES UNLESS SPECIFIED		Regal Beloit America, Inc.		DRAWN RDW 04/12/02			
				DEC.	INCHES			CHK			
				.X	±.1			APPD			
				.XX	±.01			SCALE 1=1			
				.XXX	±.005	TITLE		REF FIG.2-51			
A	UPDATED TO REGAL LOGO	SAJ 06/26/15	AJY	.XXXX	±.0005	MAT'L.		FMF			
NO.	REVISION	BY & DATE	CHK	ANG	±1/2"	FINISH		PREV			
THIS DRAWING IN DESIGN AND DETAIL IS OUR PROPERTY AND MUST NOT BE USED EXCEPT IN CONNECTION WITH OUR WORK ALL RIGHTS OF DESIGN AND INVENTION ARE RESERVED THIS IS AN ELECTRONICALLY GENERATED DOCUMENT - DO NOT SCALE THIS PRINT				RFP	04/12/02	CAD FILE		00501001	SIZE	DRAWING NO.	REV.
				DIST BRF-NLV				A	005010-01	A	



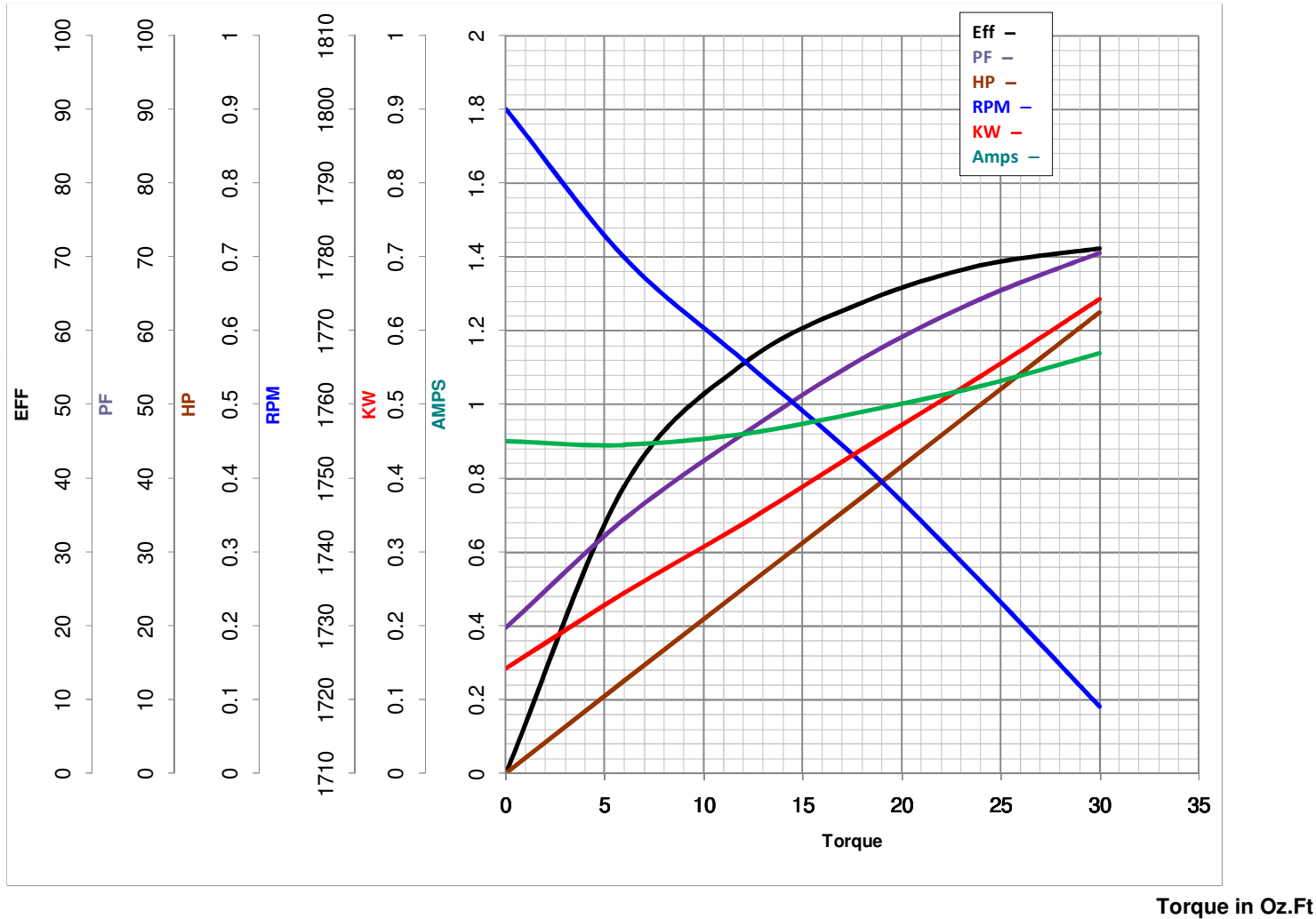
LEESON ELECTRIC CORPORATION
TYPICAL PERFORMANCE CURVE for AC MOTOR

Model No 100913.00

Curve at 460 Volts HP 0.50 PHASE 3
60 HZ
0.5 HP VOLTS 208-230/460

Catalog No 100913.00

HZ 60 RPM 1725



FL TORQUE 24 Oz.Ft
BD TORQUE 100.0 Oz.Ft
LR TORQUE 95.9 Oz.Ft

FL AMPS 1.9-2/1
PU TORQUE 91.3 Oz.Ft
LR AMPS 5.95

WINDING TE48415-3

Date 5/23/2018