

PRODUCT INFORMATION PACKET

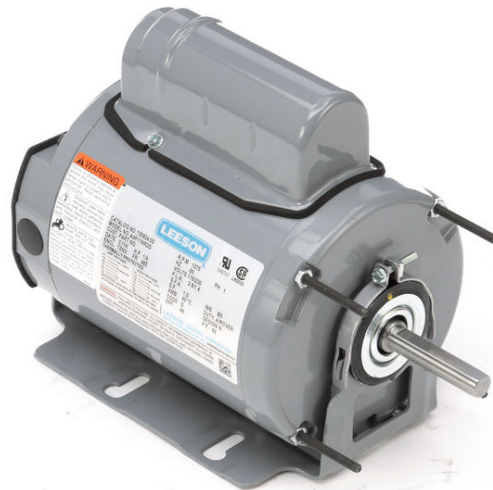


Model No: A4P11NR3G

Catalog No: 100825.00

1/3HP..1075RPM.48.TENV.115/230V.1PH.60HZ.AIROVER.AUTOMATIC.40C.1.0SF.RESILIENT BASE.AG -
FAN & BLOWER.A4P11NR3G

Agricultural



Regal and Leeson are trademarks of Regal Beloit Corporation or one of its affiliated companies.

©2018 Regal Beloit Corporation, All Rights Reserved. MC017097E





Nameplate Specifications

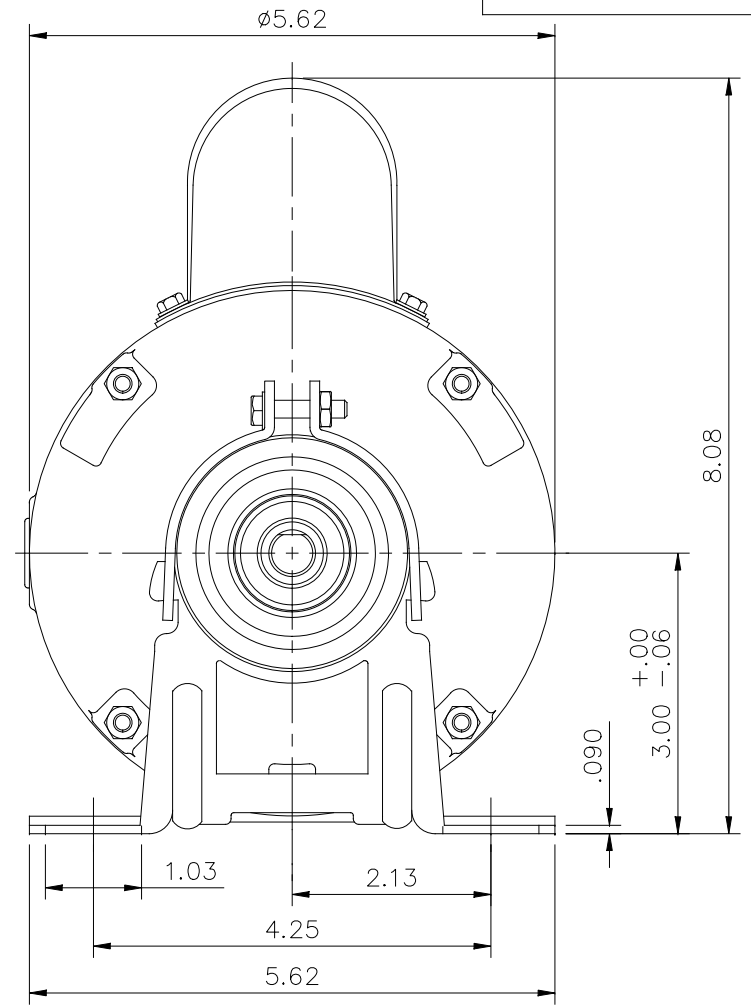
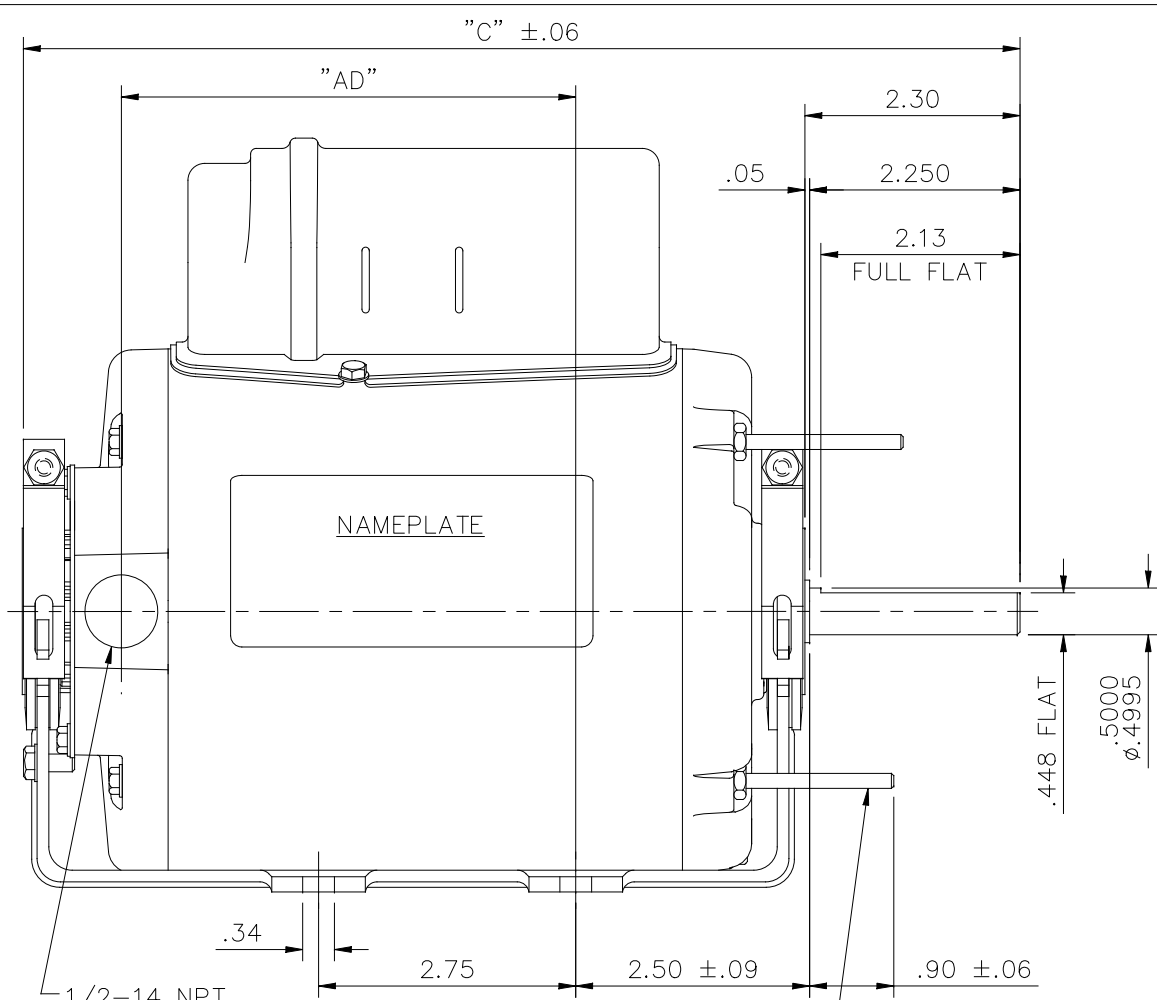
Output HP	0.33 Hp	Output KW	0.25 kW
Frequency	60 Hz	Voltage	115/230 V
Current	3.6/1.8 A	Speed	1075 rpm
Service Factor	1	Phase	1
Efficiency	70 %	Duty	Continuous
Insulation Class	B	Design Code	N
KVA Code	D	Frame	48Z
Enclosure	Totally Enclosed Air Over	Overload Protector	Automatic
Ambient Temperature	40 °C	Drive End Bearing Size	6203
Opp Drive End Bearing Size	6203	UL	Recognized
CSA	Y	CE	N
IP Code	43		

Technical Specifications

Electrical Type	Permanent Split Capacitor	Starting Method	Across The Line
Poles	6	Rotation	Selective Counterclockwise
Mounting	Resilient Base	Motor Orientation	HORIZONTAL
Drive End Bearing	BALL	Opp Drive End Bearing	BALL
Frame Material	Rolled Steel	Shaft Type	Single Special Extension
Overall Length	11.16 in	Frame Length	6.00 in
Shaft Diameter	0.500 in	Shaft Extension	2.25 in
Assembly/Box Mounting	F1 ONLY		
Outline Drawing	031705-600	Connection Diagram	005109.15

This is an uncontrolled document once printed or downloaded and is subject to change without notice. Date Created: 10/15/2018


031705



GASKETS THROUGHOUT

10-32 UNF 2A THRU BOLTS
(4) REQ'D. ON A Ø5.125 B.C.


DASH NO.	"C" "AD"	
	"C"	"AD"
550	10.66	4.86
600	11.16	5.36
650	11.66	5.86
700	12.16	6.36

				TOLERANCES UNLESS SPECIFIED		 ELECTRIC MOTORS GEARMOTORS AND DRIVES	DRAWN PG 7/24/02 CHK APPD		
				DEC.	INCHES		TITLE	SCALE 1=2	
				.X	±.1		OUTLINE - 48Z FRAME RESILIENT MOUNT - ENCLOSED	REF 031079	
				.XX	±.03			FMF 100804.00	
01	REVISION	BY & DATE	CHK	ANG	±1/2"	MAT'L.	PREV		
THIS DRAWING IN DESIGN AND DETAIL IS OUR PROPERTY AND MUST NOT BE USED EXCEPT IN CONNECTION WITH OUR WORK ALL RIGHTS OF DESIGN AND INVENTION ARE RESERVED THIS IS AN ELECTRONICALLY GENERATED DOCUMENT - DO NOT SCALE THIS PRINT			RFP	CAD FILE		031705	SIZE A	DRAWING NO. 031705	REV. 01
			DIST						

VIEW FROM OUTSIDE OF MOTOR AT SWITCH END.



	ROTATION FACING LEAD END	L1	L2	JOIN	INSULATE SEPARATELY
HIGH VOLT	C.C.W.	P1	T4 T5	T2, T3 T8	P2
	C.W.	P1	T4 T8	T2, T3 T5	P2
LOW VOLT	C.C.W.	P1	T2, T4 T5	P2, T3 T8	--
	C.W.	P1	T2, T4 T8	P2, T3 T5	--

		TOLERANCES UNLESS SPECIFIED		 ELECTRIC MOTORS GEARMOTORS AND DRIVES		DRAWN PG 3/4/02		
		DEC.	INCHES			CHK		
		.X	±.1			APPD		
		.XX	±.01			SCALE 1=1		
		.XXX	±.005			REF 005109-01		
		.XXXX	±.0005	MAT'L. DECAL - 004011		FMF 102675		
NO.	REVISION	BY & DATE	CHK	ANG ±1/2'	FINISH	PREV		
THIS DRAWING IN DESIGN AND DETAIL IS OUR PROPERTY AND MUST NOT BE USED EXCEPT IN CONNECTION WITH OUR WORK ALL RIGHTS OF DESIGN AND INVENTION ARE RESERVED THIS IS AN ELECTRONICALLY GENERATED DOCUMENT - DO NOT SCALE THIS PRINT			RFP	CAD FILE	00510915	SIZE A	DRAWING NO. 005109-15	REV.
			DIST					

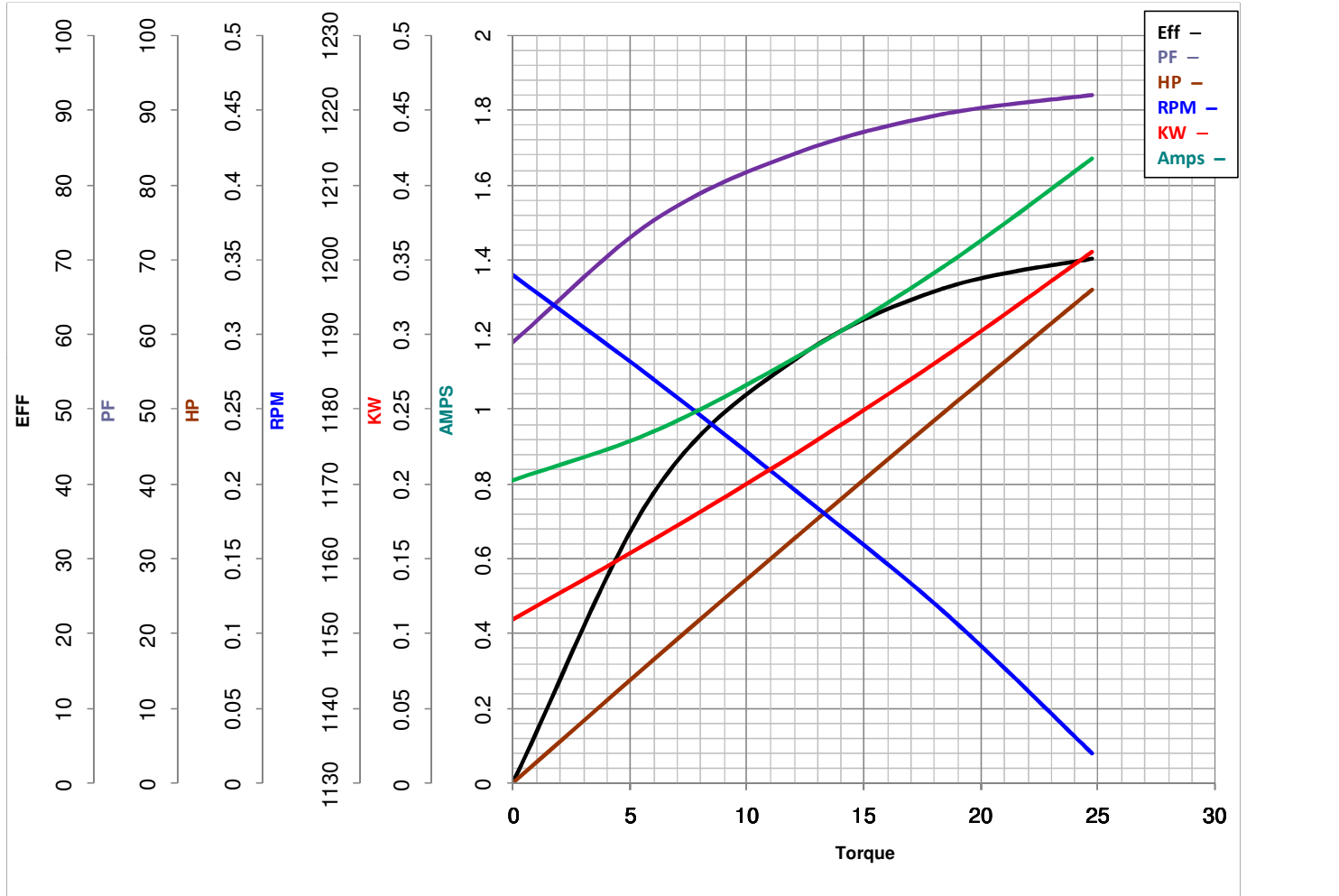


LEESON ELECTRIC CORPORATION
TYPICAL PERFORMANCE CURVE for AC MOTOR

Model No 100825.00

Catalog No 100825.00

Curve at 230 Volts HP 0.33 PHASE 1
60 HZ
0.33 HP VOLTS 115/230
HZ 60 RPM 1075



FL TORQUE	<u>24.73</u> Oz.Ft	FL AMPS	<u>3.6/1.8</u>
BD TORQUE	<u>48.0</u> Oz.Ft	PU TORQUE	<u>12.5</u> Oz.Ft
LR TORQUE	<u>13.5</u> Oz.Ft	LR AMPS	<u>6</u>
WINDING	PE4862007-3	Date	4/6/2018