

PRODUCT INFORMATION PACKET



Model No: M4P17DJ7F

Catalog No: 100802.00

1/2HP..1625RPM.S56.DP.115V.1PH.60HZ.CONT.MANUAL.40C.1.0SF.RESIL.INSTANT
REVERSING.M4P17DJ7F

Instant Reversing



Regal and Leeson are trademarks of Regal Beloit Corporation or one of its affiliated companies.

©2018 Regal Beloit Corporation, All Rights Reserved. MC017097E





Nameplate Specifications

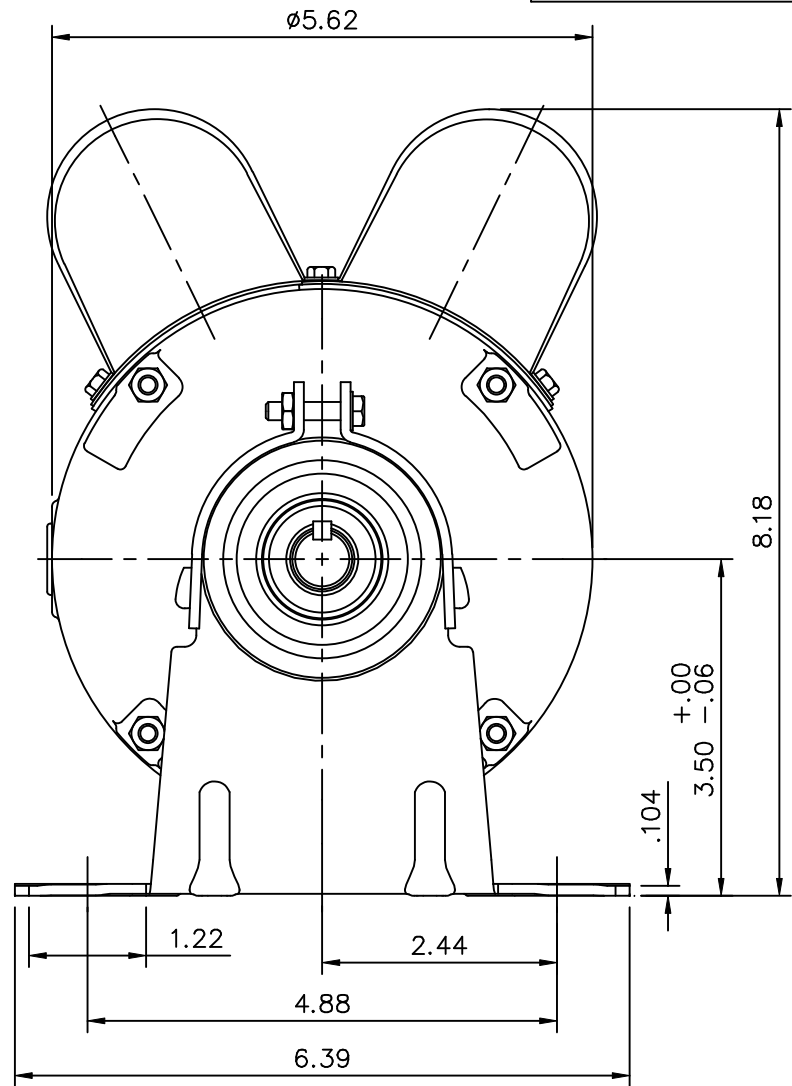
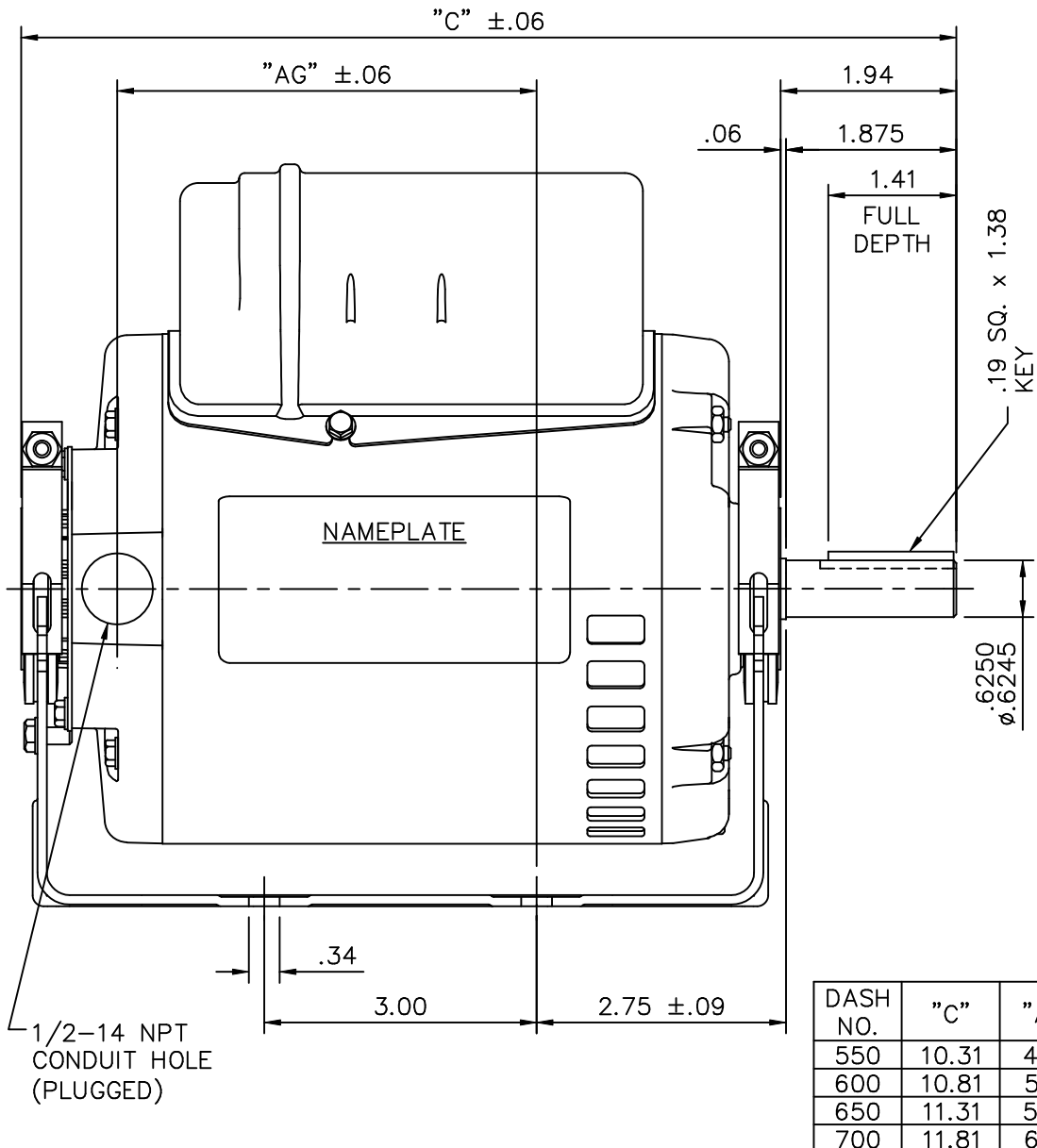
Output HP	0.50 Hp	Output KW	0.37 kW
Frequency	60 Hz	Voltage	115 V
Current	6.1 A	Speed	1625 rpm
Service Factor	1	Phase	1
Efficiency	57.5 %	Duty	Continuous
Insulation Class	F	Design Code	NO DESIGN CODE
KVA Code	C	Frame	S56
Enclosure	Drip Proof	Overload Protector	Manual
Ambient Temperature	40 °C	Drive End Bearing Size	6203
Opp Drive End Bearing Size	6203	UL	Recognized
CSA	Y	CE	N
IP Code	22		

Technical Specifications

Electrical Type	Permanent Split Capacitor	Starting Method	Across The Line
Poles	4	Rotation	Selective Counterclockwise
Mounting	Resilient Base	Motor Orientation	HORIZONTAL
Drive End Bearing	BALL	Opp Drive End Bearing	BALL
Frame Material	Rolled Steel	Shaft Type	T
Overall Length	11.31 in	Frame Length	6.50 in
Shaft Diameter	0.625 in	Shaft Extension	1.88 in
Assembly/Box Mounting	F1 ONLY		
Outline Drawing	031736-650	Connection Diagram	005024.10

This is an uncontrolled document once printed or downloaded and is subject to change without notice. Date Created: 10/15/2018

031736



DASH NO.	"C"	"AD"
550	10.31	4.62
600	10.81	5.12
650	11.31	5.62
700	11.81	6.12

TOLERANCES UNLESS SPECIFIED	
DEC.	INCHES
.X	±.1
.XX	±.03
.XXX	±.005
.XXXX	±.0005
ANG	±1/2°



ELECTRIC MOTORS
GEARMOTORS
AND DRIVES

DRAWN	PG 5/23/03
CHK	
APPD	
SCALE	1=2
REF	030113
FMF	100802.00
PREV	

TITLE	OUTLINE - S56 FRAME DRIP PROOF - RESILIENT MOUNT
MAT'L.	1 PHASE
FINISH	

NO.	REVISION	BY & DATE	CHK	ANG

THIS DRAWING IN DESIGN AND DETAIL IS OUR PROPERTY AND MUST NOT BE USED EXCEPT IN CONNECTION WITH OUR WORK ALL RIGHTS OF DESIGN AND INVENTION ARE RESERVED THIS IS AN ELECTRONICALLY GENERATED DOCUMENT - DO NOT SCALE THIS PRINT

RFP	CAD FILE	031736	SIZE	DRAWING NO.	REV.
DIST			A	031736	

7/3/2007 5:28:34 AM -

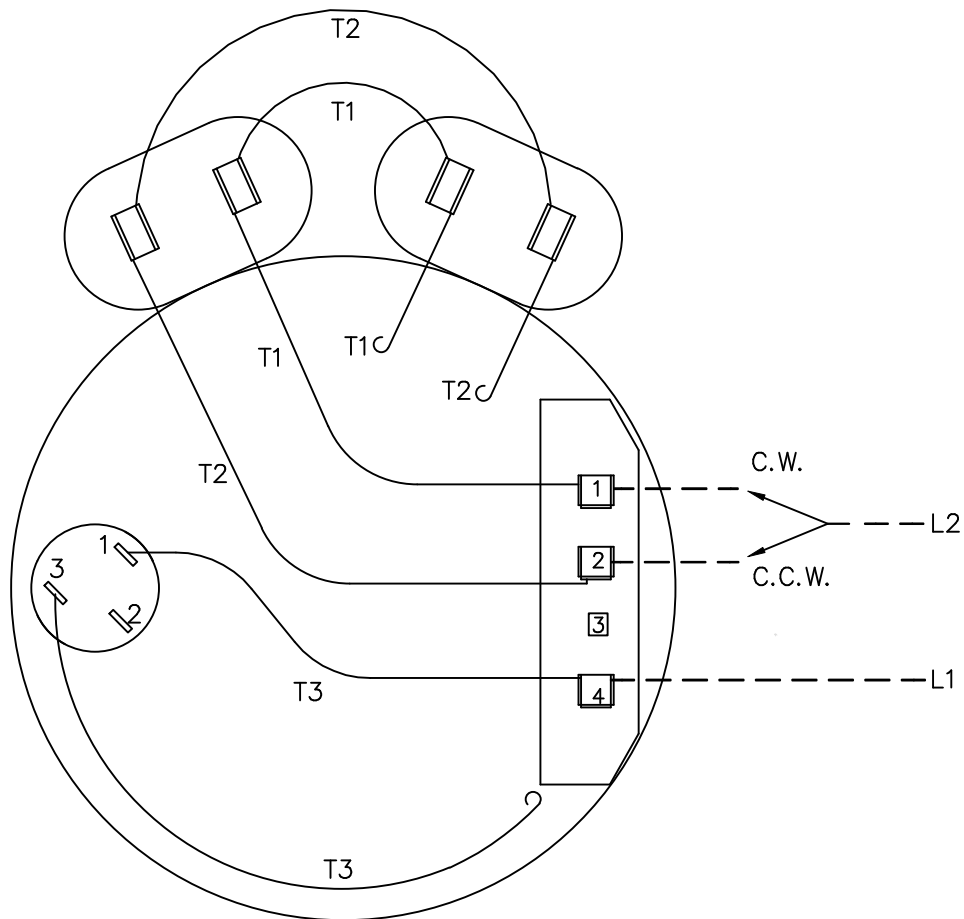
Dealers Industrial Equipment -- Visit <https://DealersElectric.com> or call (908) 688-1966 for all of your electric motor & VFD needs!

```
ERROR: syntaxerror  
OFFENDING COMMAND: --nostringval--
```

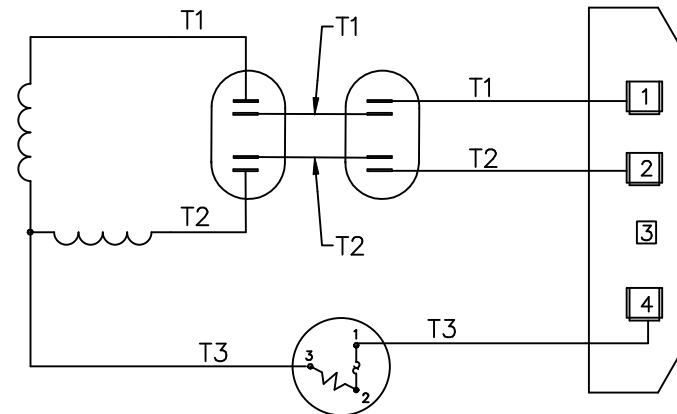
```
STACK :
```

```
/terminate  
-dictionary-  
/Pscript_WinNT_Compact  
-dictionary-
```

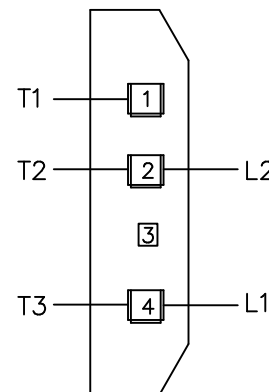
VIEW FROM OUTSIDE OF MOTOR AT SWITCH END.



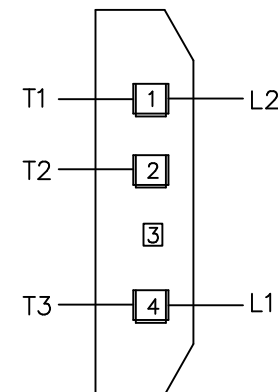
LINE LEADS



C.C.W. L.E.



C.W. L.E.



07	CAP. JUMPERS T1 & T2 WERE BLANK PER ENG'R	KMM	08/13/03	TOLERANCES UNLESS OTHERWISE SPECIFIED		LEESON ELECTRIC CORPORATION				
06	ADDED T3 TO TERMINAL BOARD VIEW	KMM	05/29/03	DECIMALS						
05	CWLE TERMINAL HAD TWO L1, TERM. 1 WAS L1,	MDN	11/14/02	.00	± .01	DRAWN PG	09/14/83	TITLE		EXTERNAL WIRING DIAGRAM
04	T3 JUMPER MOVED TO TOP OF BOARD	KMM	09/06/01	.000	± .005	CH'K'D. DLL	09/16/83	TYPE "P" W/PROTECTOR		
03	REDRAWN ON CAD	DBT	06/19/97	.0000	± .0005	APPR. JCW	09/19/83	MAT'L.		DECAL - 080094
NO.	REVISION	BY	DATE	FRACTIONS	± 1/64	SCALE	1=1			3 LEAD REVERSIBLE
THIS DRAWING IN DESIGN AND DETAIL IS OUR PROPERTY AND MUST NOT BE USED EXCEPT IN CONNECTION WITH OUR WORK ALL RIGHTS OF DESIGN AND INVENTION ARE RESERVED				ANGLES	± 1/2°	REF.	PG. 6	FINISH FEDERAL	SIZE	DRAWING NO.
				INCH/MM		FMF	4P17DJ7	APD	A	005024-10

BRF

