

PRODUCT INFORMATION PACKET



Model No: A4P17NJ1H

Catalog No: 100767.00

..1/3HP..1625RPM.S56.TENV.115/230V.1PH.60HZ.AIROVER.40C.1.0SF.RESILIENT
BASE.A4P17NJ1H.....AG - FAN & BLOWER.AUTOMATIC.....

Agricultural



Regal and Leeson are trademarks of Regal Beloit Corporation or one of its affiliated companies.

©2018 Regal Beloit Corporation, All Rights Reserved. MC017097E





Nameplate Specifications

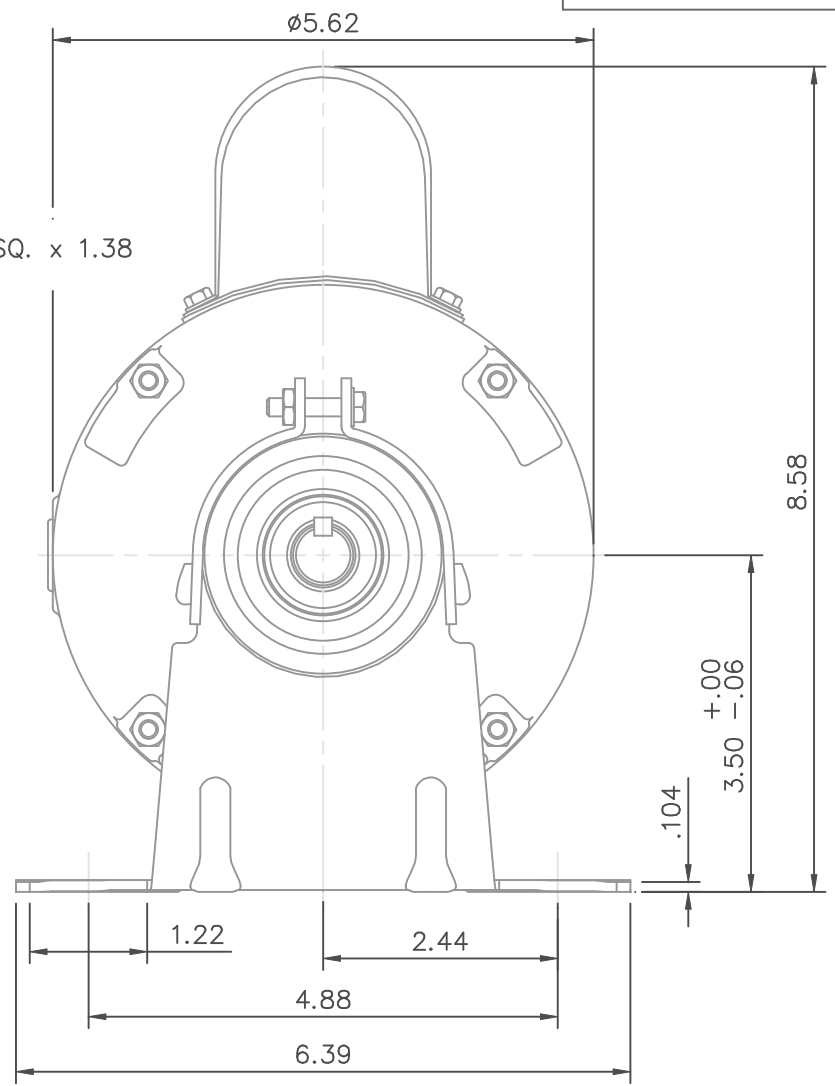
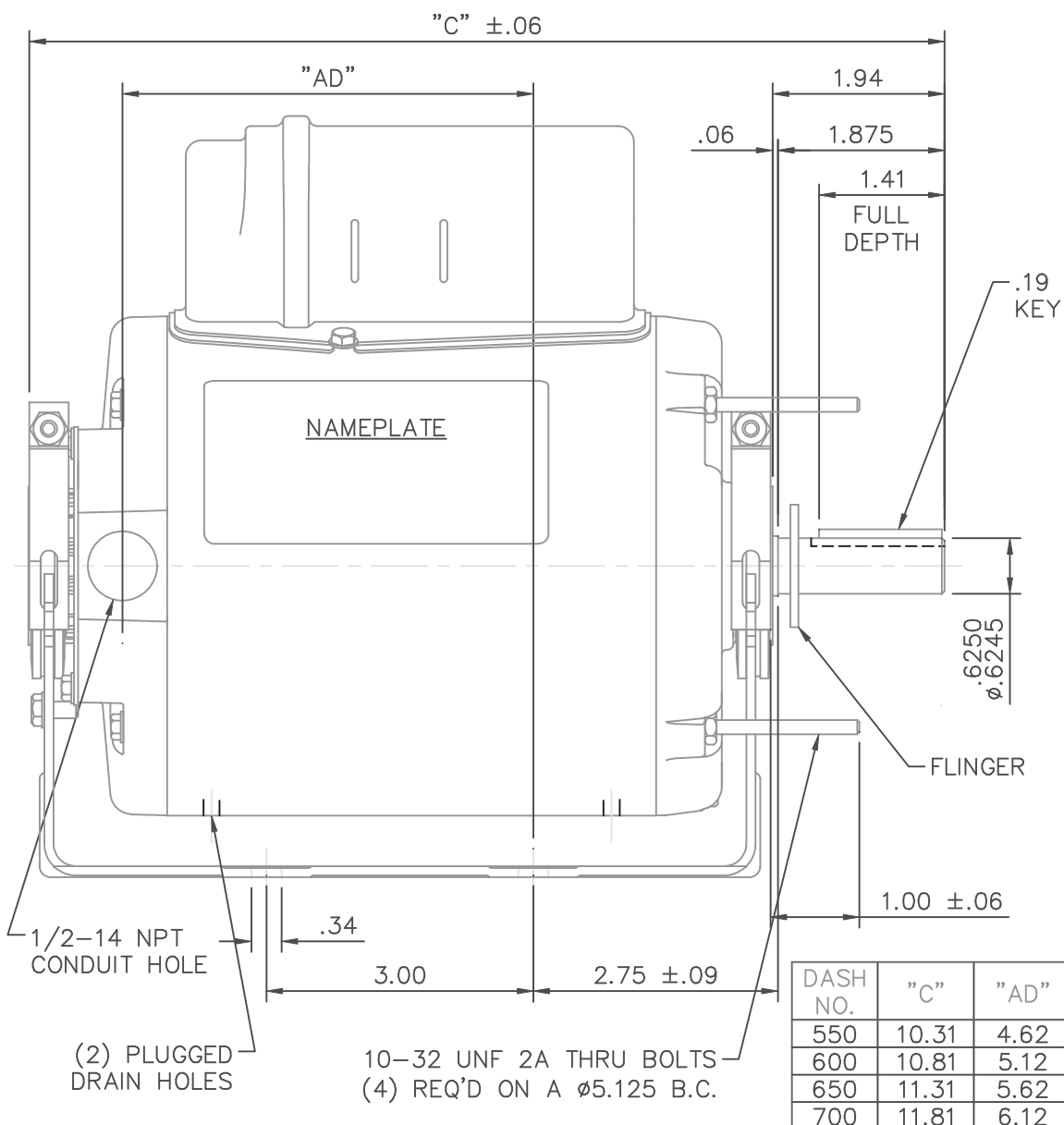
Output HP	0.33 Hp	Output KW	0.25 kW
Frequency	60 Hz	Voltage	115/230 V
Current	3.2/1.6 A	Speed	1625 rpm
Service Factor	1	Phase	1
Efficiency	72 %	Duty	Continuous
Insulation Class	B	Design Code	NO DESIGN CODE
KVA Code	D	Frame	S56
Enclosure	Totally Enclosed Non Ventilated	Overload Protector	Automatic
Ambient Temperature	40 °C	Drive End Bearing Size	6203
Opp Drive End Bearing Size	6203	UL	Recognized
CSA	Y	CE	N
IP Code	43		

Technical Specifications

Electrical Type	Permanent Split Capacitor	Starting Method	Across The Line
Poles	4	Rotation	Selective Counterclockwise
Mounting	Resilient Base	Motor Orientation	HORIZONTAL
Drive End Bearing	BALL	Opp Drive End Bearing	BALL
Frame Material	Rolled Steel	Shaft Type	NEMA 48
Overall Length	10.31 in	Frame Length	5.50 in
Shaft Diameter	0.625 in	Shaft Extension	1.88 in
Assembly/Box Mounting	F1 ONLY		
Outline Drawing	031706-550	Connection Diagram	005109.15


This is an uncontrolled document once printed or downloaded and is subject to change without notice. Date Created: 10/15/2018

031706



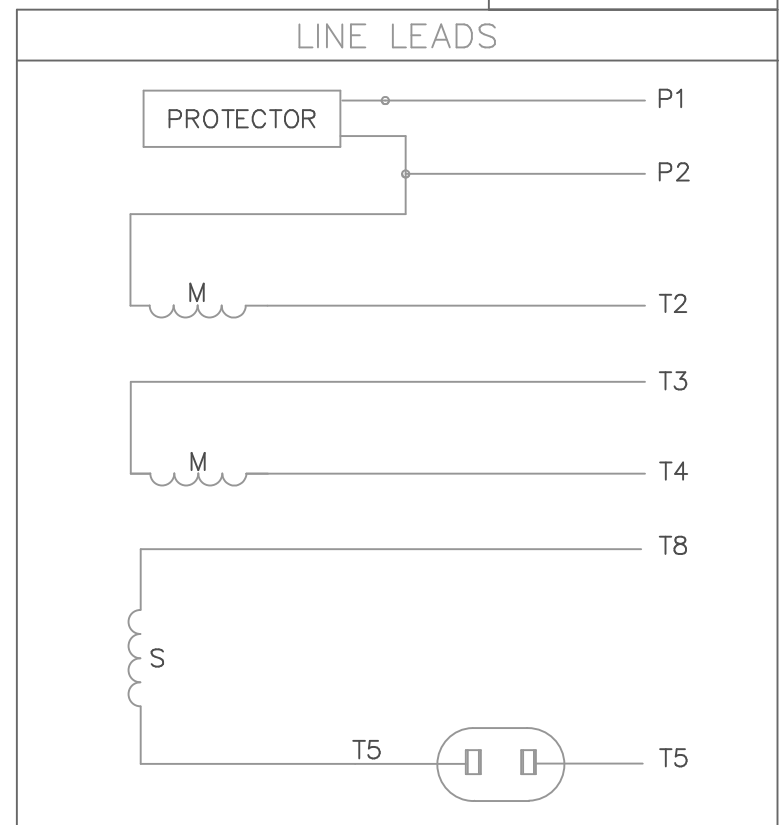
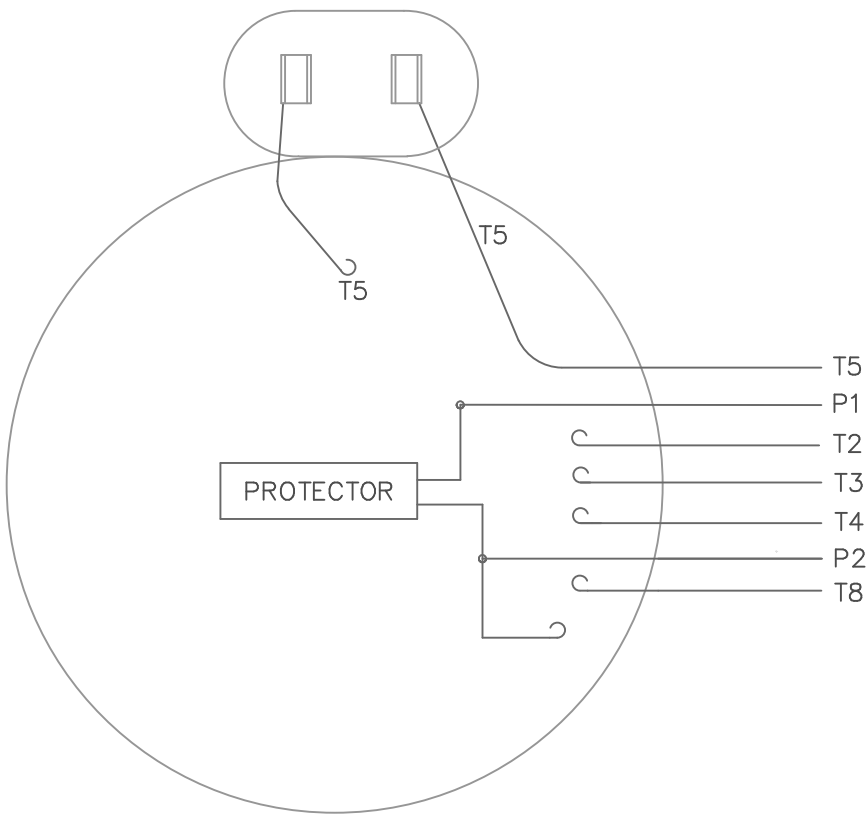
DASH NO.	"C"	"AD"
550	10.31	4.62
600	10.81	5.12
650	11.31	5.62
700	11.81	6.12

GASKETS THROUGHOUT


				TOLERANCES UNLESS SPECIFIED		 ELECTRIC MOTORS GEARMOTORS AND DRIVES		DRAWN PG 7/24/02		
				DEC.	INCHES			CHK		
				.X	±.1			APPD		
				.XX	±.03			SCALE 1=2		
				.XXX	±.005			REF 031082		
01	REVISED TO EXT. THRU-BOLTS PER CN #04-327/333	KMM	3/8/04	.XXXX	±.0005	TITLE		OUTLINE - S56 FRAME RESILIENT MOUNT - TENV		
NO.	REVISION	BY & DATE	CHK	ANG	±1/2'	MAT'L.		1 PHASE		
				RFP		FINISH		PREV		
THIS DRAWING IN DESIGN AND DETAIL IS OUR PROPERTY AND MUST NOT BE USED EXCEPT IN CONNECTION WITH OUR WORK ALL RIGHTS OF DESIGN AND INVENTION ARE RESERVED THIS IS AN ELECTRONICALLY GENERATED DOCUMENT - DO NOT SCALE THIS PRINT				CAD FILE		031706		SIZE	DRAWING NO.	REV.
				DIST		A		031706		01

9/26/2008 1:17:27 PM

VIEW FROM OUTSIDE OF MOTOR AT SWITCH END.



	ROTATION FACING LEAD END	L1	L2	JOIN	INSULATE SEPARATELY
HIGH VOLT	C.C.W.	P1	T4 T5	T2, T3 T8	P2
	C.W.	P1	T4 T8	T2, T3 T5	P2
LOW VOLT	C.C.W.	P1	T2, T4 T5	P2, T3 T8	--
	C.W.	P1	T2, T4 T8	P2, T3 T5	--

		TOLERANCES UNLESS SPECIFIED		 ELECTRIC MOTORS GEARMOTORS AND DRIVES		DRAWN PG 3/4/02	
		DEC.	INCHES			CHK	
		.X	±.1			APPD	
		.XX	±.01			SCALE 1=1	
		.XXX	±.005			REF 005109-01	
		.XXXX	±.0005	MAT'L. DECAL - 004011		FMF 102675	
NO.	REVISION	BY & DATE	CHK	ANG ±1/2'	FINISH	PREV	
THIS DRAWING IN DESIGN AND DETAIL IS OUR PROPERTY AND MUST NOT BE USED EXCEPT IN CONNECTION WITH OUR WORK ALL RIGHTS OF DESIGN AND INVENTION ARE RESERVED THIS IS AN ELECTRONICALLY GENERATED DOCUMENT - DO NOT SCALE THIS PRINT			RFP	CAD FILE	00510915	SIZE A	DRAWING NO. 005109-15
			DIST			REV.	

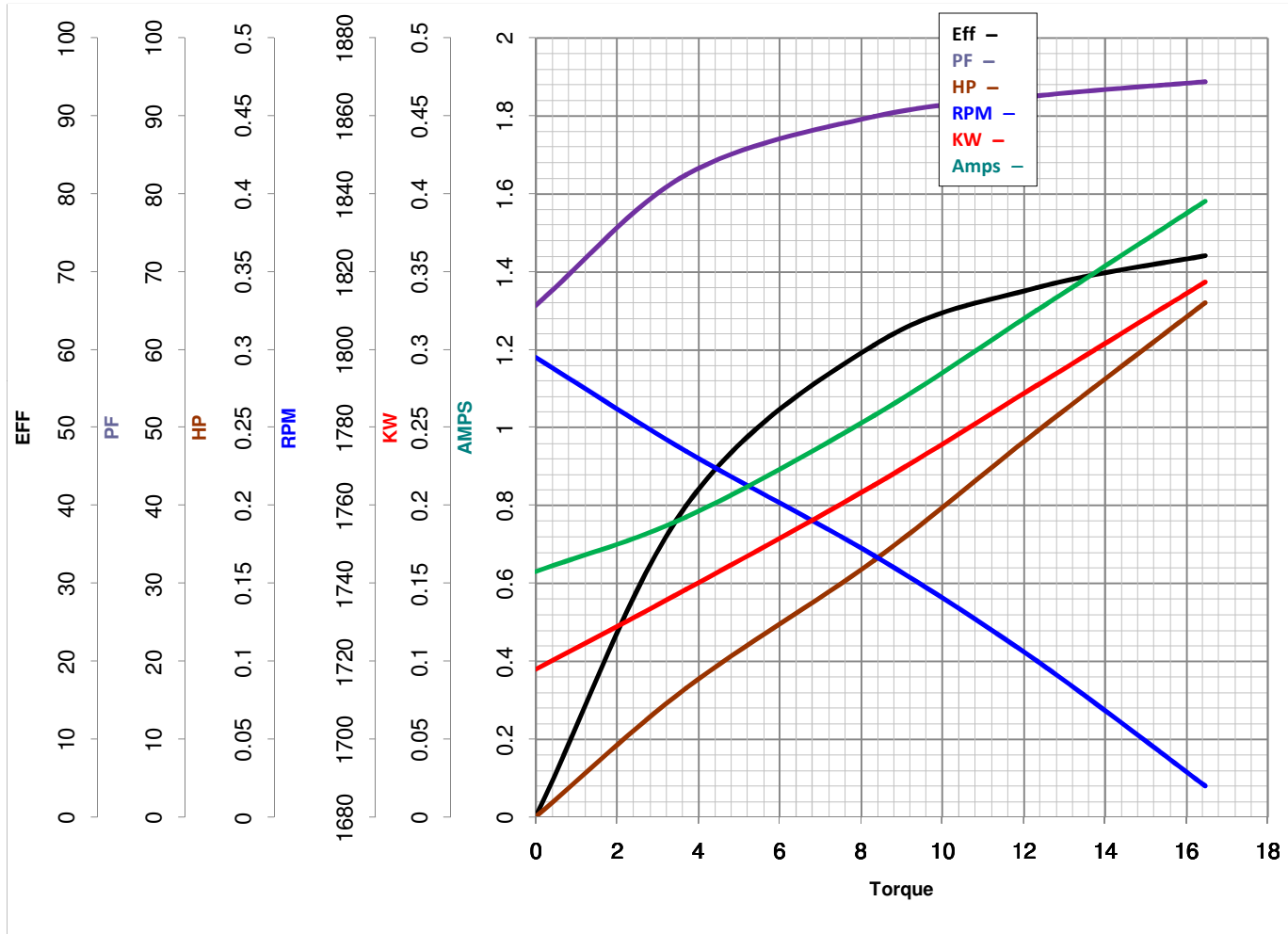


LEESON ELECTRIC CORPORATION
TYPICAL PERFORMANCE CURVE for AC MOTOR

Model No 100767.00

Catalog No 100767.00

Curve at 230 Volts HP 0.34 PHASE 1
60 HZ
0.33 HP VOLTS 115/230
HZ 60 RPM 1625



Torque in Oz.Ft

FL TORQUE 16.48 Oz.Ft
 BD TORQUE 34.0 Oz.Ft
 LR TORQUE 10 Oz.Ft

FL AMPS 3.2/1.6
 PU TORQUE 9.0 Oz.Ft
 LR AMPS 6

WINDING PE484446-3

Date 3/27/2018