

# PRODUCT INFORMATION PACKET



Model No: A4C34DC22E  
Catalog No: 100723.00  
1HP..3450RPM.56.DP.115/208-230V.1PH.60HZ.CONT.AUTOMATIC.40C.1.4SF.ROUND.JET  
PUMP.A4C34DC22E  
Jet Pump



Regal and Leeson are trademarks of Regal Beloit Corporation or one of its affiliated companies.

©2018 Regal Beloit Corporation, All Rights Reserved. MC017097E





### Nameplate Specifications

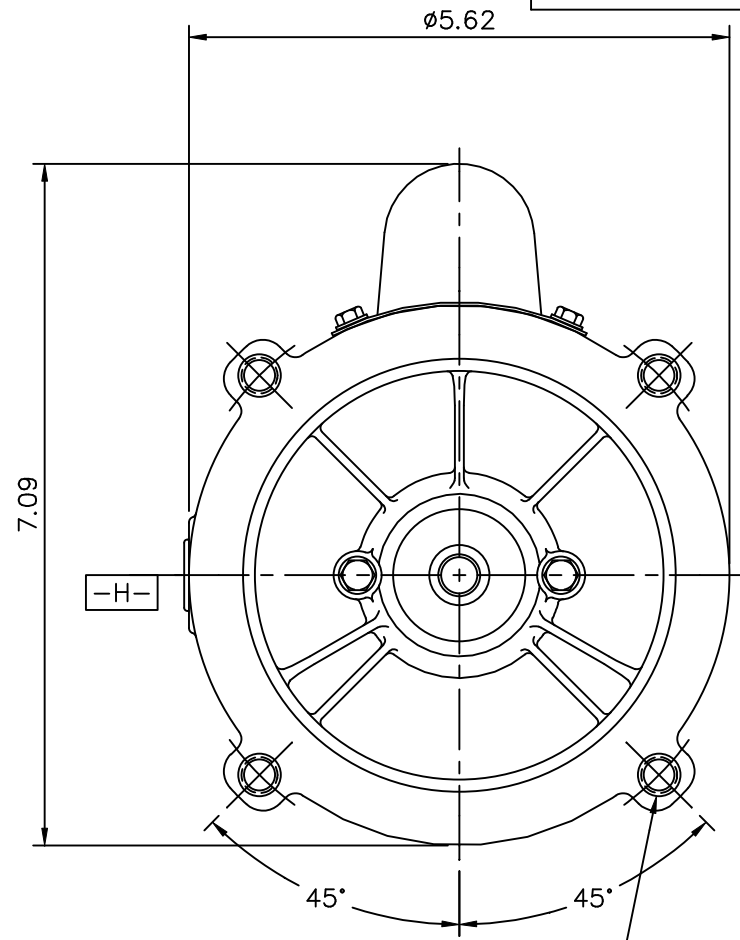
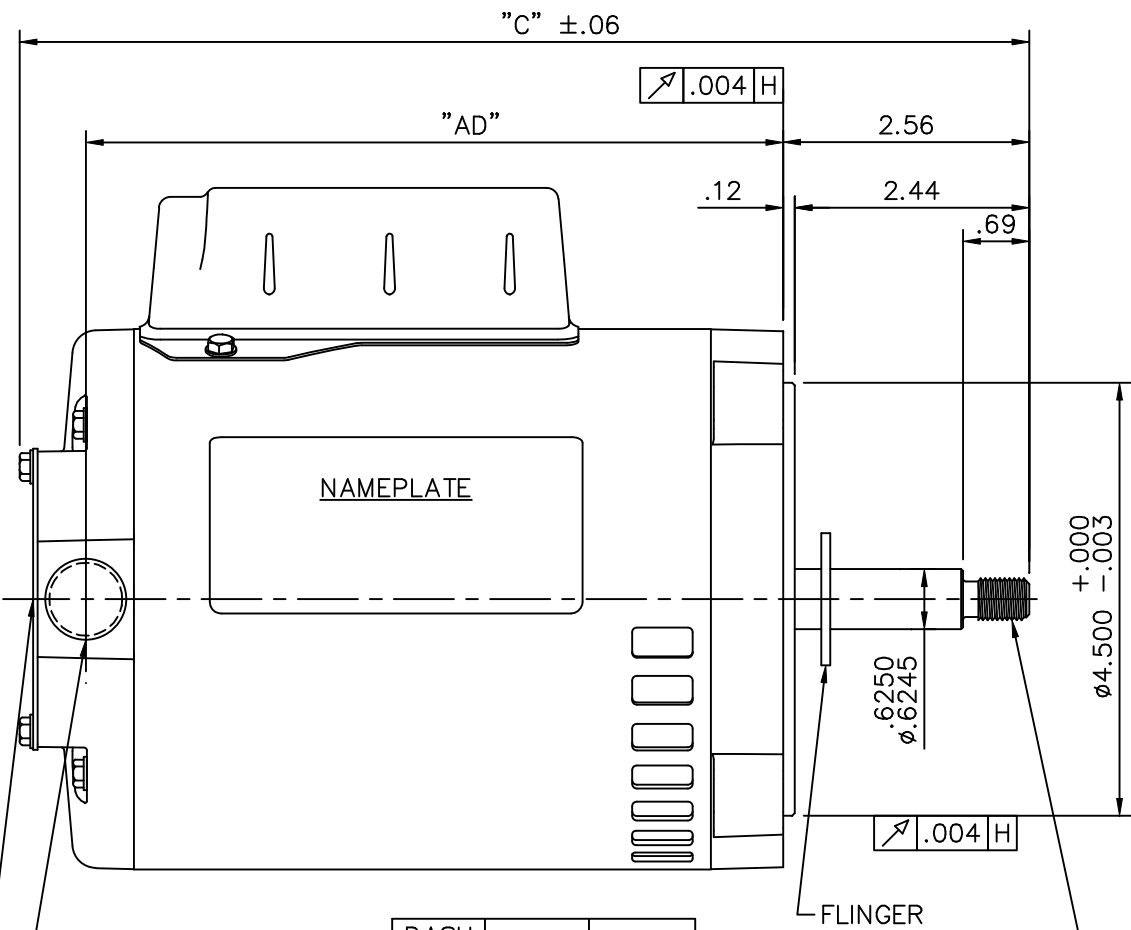
Output HP	1 Hp	Output KW	0.75 kW
Frequency	60 Hz	Voltage	115/208-230 V
Current	11.4/5.5-5.7 A	Speed	3450 rpm
Service Factor	1.4	Phase	1
Efficiency	75 %	Duty	Continuous
Insulation Class	B	Design Code	N
KVA Code	H	Frame	S56J
Enclosure	Drip Proof	Overload Protector	Automatic
Ambient Temperature	40 °C	Drive End Bearing Size	6203
Opp Drive End Bearing Size	6203	UL	Recognized
CSA	Y	CE	N
IP Code	22		

### Technical Specifications

Electrical Type	Capacitor Start Induction Run	Starting Method	Across The Line
Poles	2	Rotation	Selective Clockwise
Mounting	Round	Motor Orientation	HORIZONTAL
Drive End Bearing	BALL	Opp Drive End Bearing	BALL
Frame Material	Rolled Steel	Shaft Type	J
Overall Length	11.00 in	Frame Length	6.50 in
Shaft Diameter	0.625 in	Shaft Extension	2.44 in
Assembly/Box Mounting	F1 ONLY		
Outline Drawing	031731-650	Connection Diagram	005049.17

This is an uncontrolled document once printed or downloaded and is subject to change without notice. Date Created: 10/15/2018

031731



1/2-14 NPT CONDUIT HOLE  
SCREWDRIVER SLOT IN SHAFT

DASH NO.	"C"	"AD"
550	10.00	6.75
575	10.25	7.00
600	10.50	7.25
625	10.75	7.50
650	11.00	7.75
675	11.25	8.00
700	11.50	8.25

FLINGER  
7/16-20 UNF 2A  
RIGHT HAND THREAD  
TOLERANCE: .004 H

3/8-16 UNC 2B TAP x .56 DEEP  
(4) REQ'D. ON A 5.875 B.C.

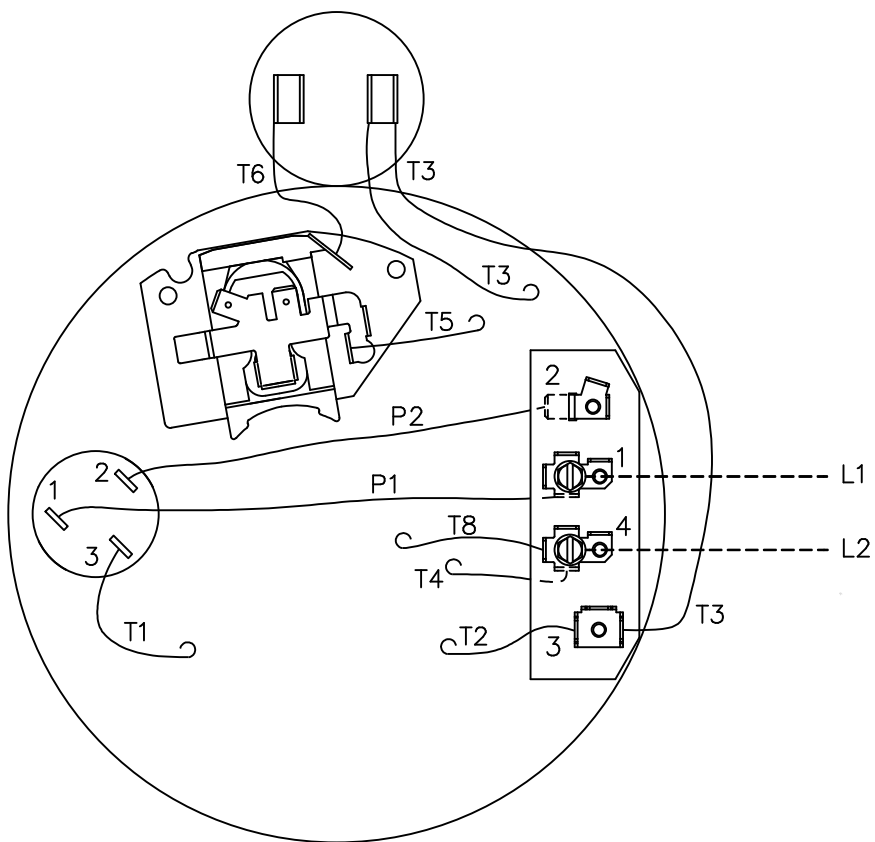
		TOLERANCES UNLESS SPECIFIED			ELECTRIC MOTORS GEARMOTORS AND DRIVES		DRAWN KMM 04/04/03		
		DEC.	INCHES				CHK		
		.X	±.1		TITLE		APPD		
		.XX	±.03		OUTLINE - S56J FRAME "C" FACE MOUNT - DRIP PROOF		SCALE 1=2		
		.XXX	±.005				REF 031391		
		.XXXX	±.0005	MAT'L.		FMF 100208			
NO.	REVISION	BY & DATE	CHK	ANG	±1/2"	FINISH	PREV		
				RFP	CAD FILE	031731	SIZE	DRAWING NO.	REV.
				DIST			A	031731	

THIS DRAWING IN DESIGN AND DETAIL IS OUR PROPERTY AND MUST NOT BE USED EXCEPT IN CONNECTION WITH OUR WORK ALL RIGHTS OF DESIGN AND INVENTION ARE RESERVED THIS IS AN ELECTRONICALLY GENERATED DOCUMENT - DO NOT SCALE THIS PRINT

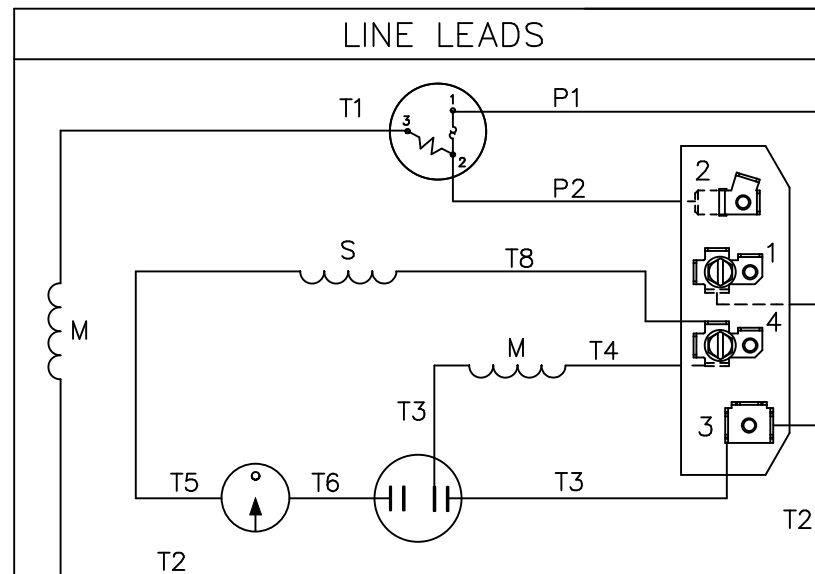
7/3/2007 5:25:39 AM -

Dealers Industrial Equipment -- Visit <https://DealersElectric.com> or call (908) 688-1966 for all of your electric motor & VFD needs!

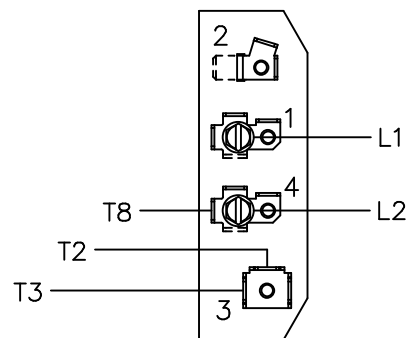
VIEW FROM OUTSIDE OF MOTOR AT SWITCH END.



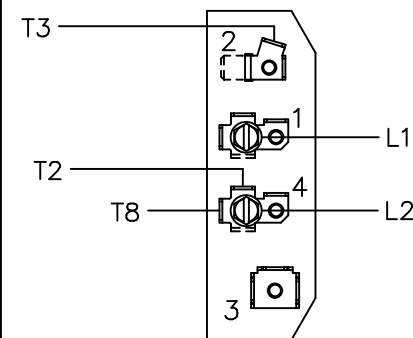
P1, P2, T4 TO GO TO  
BACK SIDE OF TERMINAL BOARD



HIGH VOLTAGE  
C.W.L.E. ROTATION



LOW VOLTAGE  
C.W.L.E. ROTATION



TOLERANCES  
UNLESS SPECIFIED

DEC. INCHES

.X ±.1

.XX ±.01

.XXX ±.005

.XXXX ±.0005

ANG ±1/2"



ELECTRIC MOTORS  
GEARMOTORS  
AND DRIVES

DRAWN PG 1/31/03

CHK

APPD

SCALE 1=1

REF 005049-13

FMF 100207.00

PREV

TITLE  
EXTERNAL WIRING DIAGRAM  
TYPE "C" W/PROTECTOR

MAT'L. DUAL VOLTAGE - C.W.L.E. ROTATION

FINISH

CHK

BY & DATE

REVISION

NO.

RFP

CAD FILE

00504917

SIZE

A

DRAWING NO.

005049-17

REV.

THIS DRAWING IN DESIGN AND DETAIL IS OUR PROPERTY AND MUST NOT BE USED EXCEPT  
IN CONNECTION WITH OUR WORK ALL RIGHTS OF DESIGN AND INVENTION ARE RESERVED  
THIS IS AN ELECTRONICALLY GENERATED DOCUMENT - DO NOT SCALE THIS PRINT

DIST



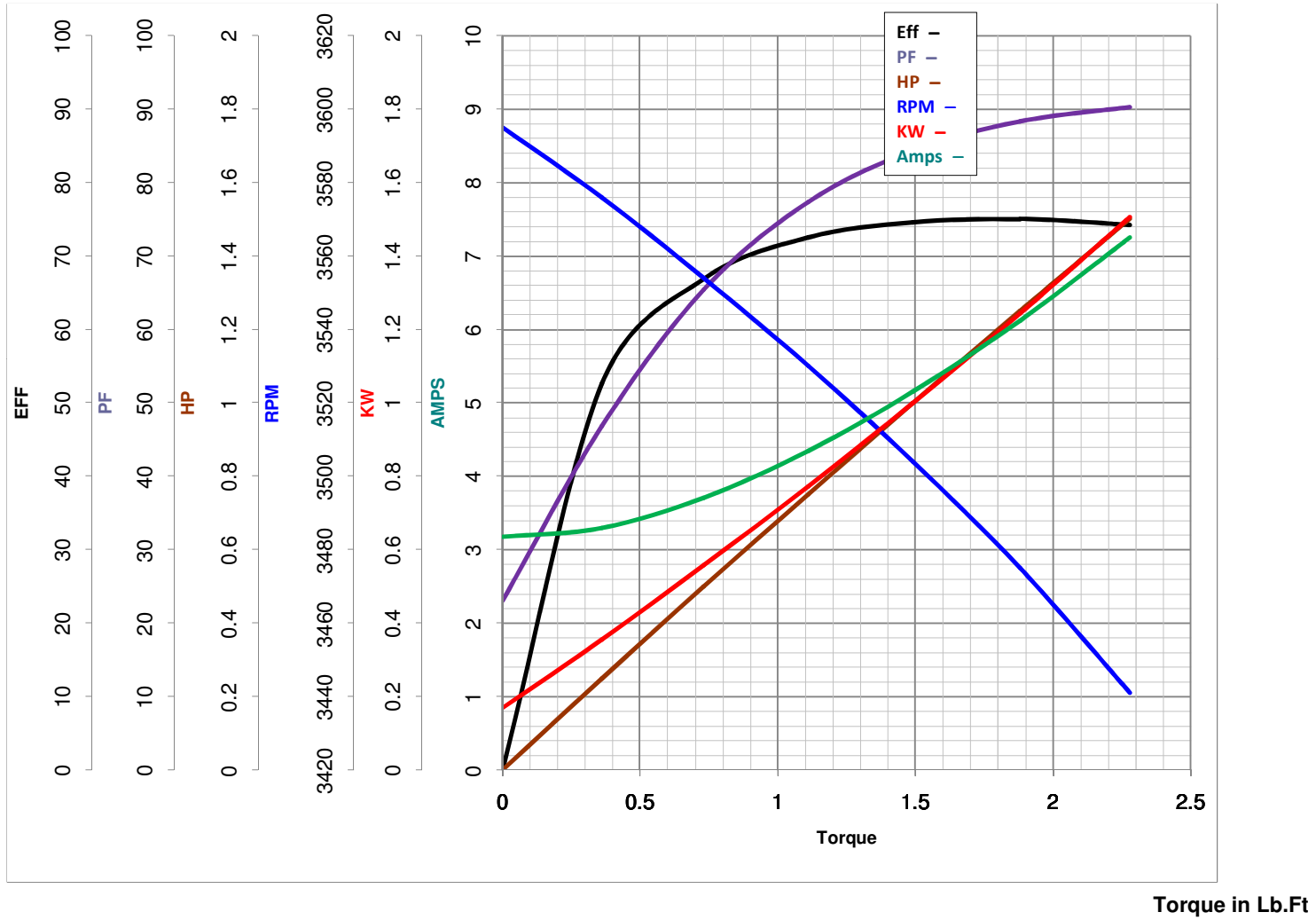
**LEESON ELECTRIC CORPORATION**  
 TYPICAL PERFORMANCE CURVE for AC MOTOR

Model No 100723.00

Curve at 230 Volts HP 1.00 PHASE 1  
60 HZ  
1 HP VOLTS 115/208-230

Catalog No 100723.00

HZ 60 RPM 3450



FL TORQUE	<u>1.49</u> Lb.Ft	FL AMPS	<u>11.4/5.5-5.7</u>
BD TORQUE	<u>4.1</u> Lb.Ft	PU TORQUE	<u>2.5</u> Lb.Ft
LR TORQUE	<u>2.9</u> Lb.Ft	LR AMPS	<u>28.4</u>
WINDING	CE482255-3	Date	3/22/2018