

PRODUCT INFORMATION PACKET



Model No: M4P17DC7F
Catalog No: 100704.00
..1/2HP..1625RPM.S56C.DP./115V.1PH.60/50HZ.60
MIN.40C.1.0SF.ROUND.M4P17DC7F.....MANUAL.....Instant Reversing..
Instant Reversing



Regal and Leeson are trademarks of Regal Beloit Corporation or one of its affiliated companies.

©2018 Regal Beloit Corporation, All Rights Reserved. MC017097E



Product Information Packet: Model No: M4P17DC7F, Catalog No:100704.00
 ..1/2HP..1625RPM.S56C.DP./115V.1PH.60/50HZ.60 MIN.40C.1.0SF.ROUND.M4P17DC7F.....MANUAL.....Instant
 Reversing..



Nameplate Specifications

Output HP	0.50 Hp	Output KW	0.37 kW
Frequency	60 Hz	Voltage	115 V
Current	5.1 A	Speed	1625 rpm
Service Factor	1	Phase	1
Efficiency	63.7 %	Duty	60 Minute
Insulation Class	B	Design Code	N
KVA Code	A	Frame	56C
Enclosure	Drip Proof	Overload Protector	Manual
Ambient Temperature	40 °C	Drive End Bearing Size	6203
Opp Drive End Bearing Size	6203	UL	Recognized
CSA	Y	CE	N
IP Code	22		

Technical Specifications

Electrical Type	Permanent Split Capacitor	Starting Method	Across The Line
Poles	4	Rotation	Selective Counterclockwise
Mounting	Round	Motor Orientation	HORIZONTAL
Drive End Bearing	BALL	Opp Drive End Bearing	BALL
Frame Material	Rolled Steel	Shaft Type	NEMA 56
Overall Length	10.24 in	Frame Length	6.25 in
Shaft Diameter	0.625 in	Shaft Extension	1.88 in
Assembly/Box Mounting	F1 ONLY		
Outline Drawing	032130-625	Connection Diagram	005024.08

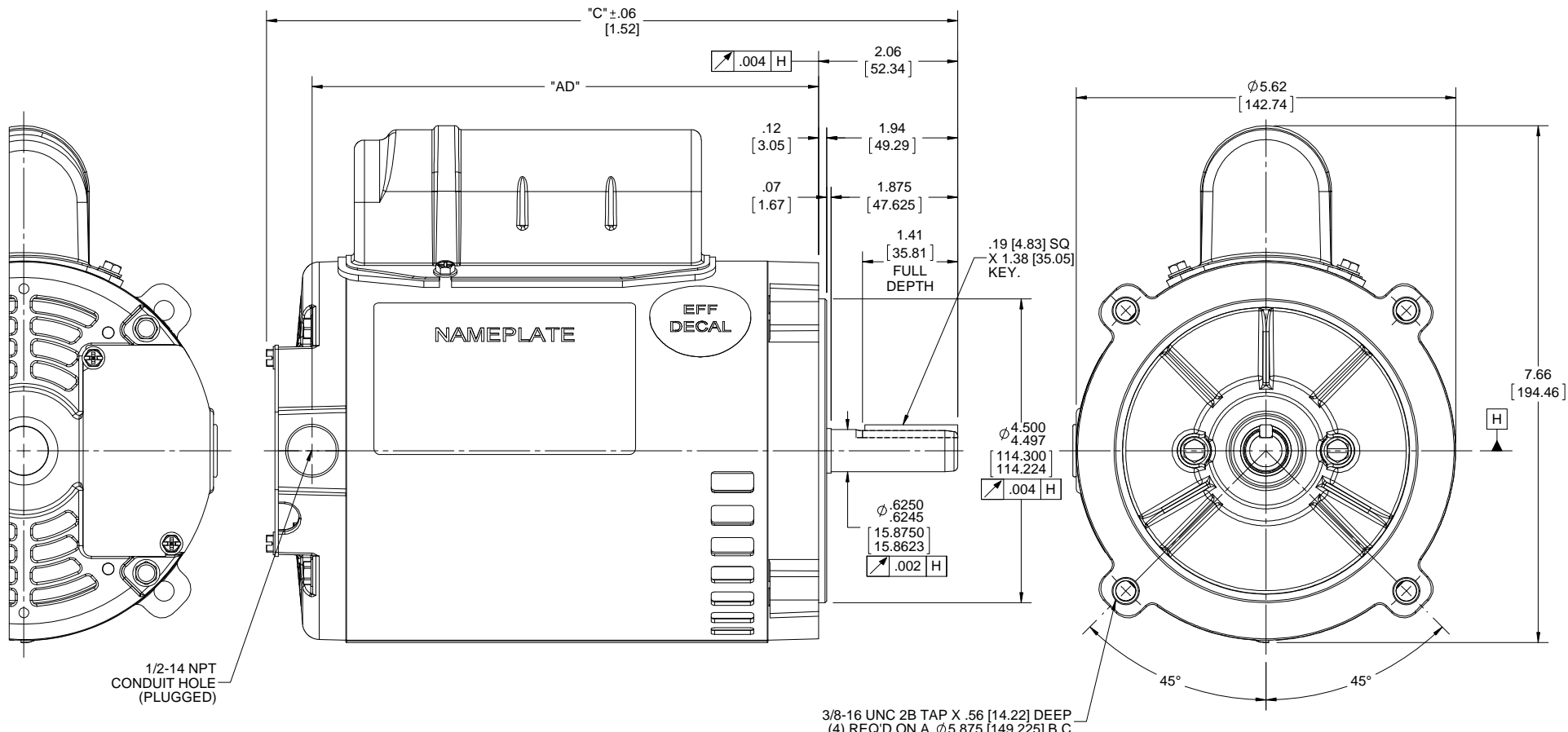
This is an uncontrolled document once printed or downloaded and is subject to change without notice. Date Created: 10/15/2018

B

B

A

A



DASH NO	"C"	"AD"
625	10.24 [260.09]	7.50 [190.50]

DRAWING REVISION	REVISION BY	DATE
A	APPROVED BY	DATE
ECO-0152983		
ECO DESCRIPTION		
OUTLINE CONVERSION PROJECT		
<small> COPYRIGHT REGAL BELOIT AMERICA, INC. ALL RIGHTS RESERVED. PROPRIETARY AND CONFIDENTIAL INFORMATION - THIS DOCUMENT IS THE PROPERTY OF REGAL BELOIT AMERICA, INC. ("OWNER") AND CONTAINS OWNER'S PROPRIETARY INFORMATION. ANY PERSON, CORPORATION OR OTHER FIRM RECEIVING IT IS DEEMED, BY RECEIVING IT, TO AGREE THAT IT, AND/OR ANY PART OF IT, SHALL NOT BE DISCLOSED TO ANY PERSON, CORPORATION OR OTHER ENTITY, DUPLICATED, AND/OR USED, EXCEPT AS EXPRESSLY APPROVED IN WRITING IN ADVANCE BY OWNER. THIS DOCUMENT SHALL BE RETURNED TO OWNER UPON REQUEST. IT MAY BE SUBJECT TO CERTAIN RESTRICTIONS UNDER APPLICABLE EXPORT CONTROL LAWS AND REGULATIONS. </small>		

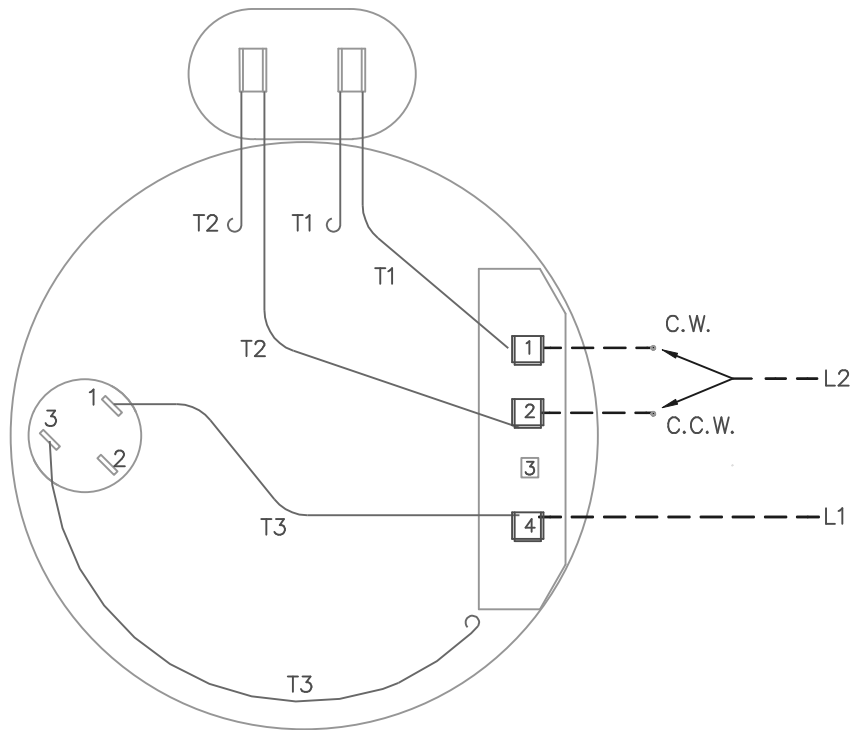
TOLERANCES UNLESS OTHERWISE SPECIFIED:			
DEC.	INCH	mm	ANGLE
X	± 0.1	[± 2.5]	$\pm 0.5^\circ$
.XX	± 0.03	[± 0.76]	
.XXX	± 0.005	[± 0.127]	
.XXXX	± 0.0005	[± 0.0127]	
REMOVE BURRS & BREAK SHARP EDGES: .003/.015 [0.076/.381] X 45°			
CORNER FILLETS: R.02 [51]			
MACHINED SURFACES: 125 / 3.2			
mm SHOWN IN [BRACKETS]			

DRAWN BY	DATE
A SUPPANAVAR	08/31/2018
APPROVED BY	DATE
JD	09/19/2018
REFERENCE	031643
THIRD ANGLE PROJECTION	

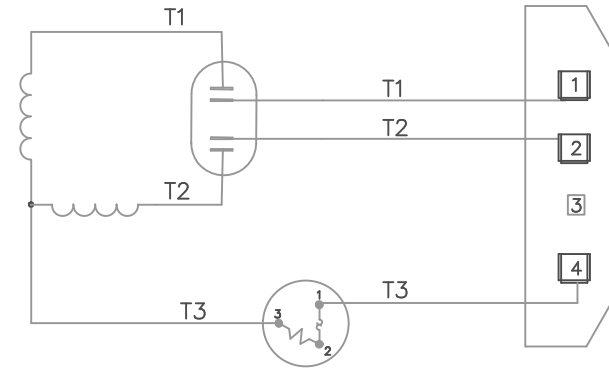
		Regal Beloit America, Inc.	
DESCRIPTION			
OUTLINE S56C FRAME "C" FACE MOUNT-DRIP PROOF			
MATERIAL	PROCESS/FINISH	DRAWING NUMBER	SHEET
		032130	1 OF 1

005024-08

VIEW FROM OUTSIDE OF MOTOR AT SWITCH END.

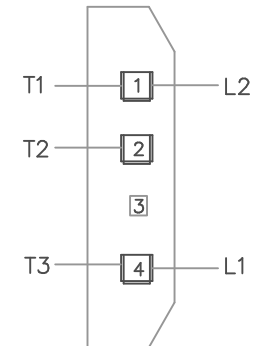
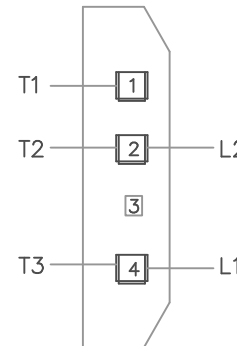


LINE LEADS



C.C.W. L.E.

C.W. L.E.



				TOLERANCES UNLESS OTHERWISE SPECIFIED		LEESON ELECTRIC CORPORATION			
				DECIMALS					
				.00	± .01	DRAWN DLL 11/30/82	TITLE EXTERNAL WIRING DIAGRAM		
				.000	± .005	CH'K'D. ADH 12/01/82	TYPE "P" W/PROTECTOR		
01	REDRAWN ON CAD	DBT	06/19/97	.0000	± .0005	APPR. JCW 12/01/82	MAT'L. DECAL - 080094		
NO.	REVISION	BY	DATE	FRACTIONS	± 1/64	SCALE 1=1	BRF		
				ANGLES	± 1/2"	REF. PG.5			
				INCH/MM		FMF 4P17DJ5	PARKING DEV.		005024-08

THIS DRAWING IN DESIGN AND DETAIL IS OUR PROPERTY AND MUST NOT BE USED EXCEPT IN CONNECTION WITH OUR WORK ALL RIGHTS OF DESIGN AND INVENTION ARE RESERVED

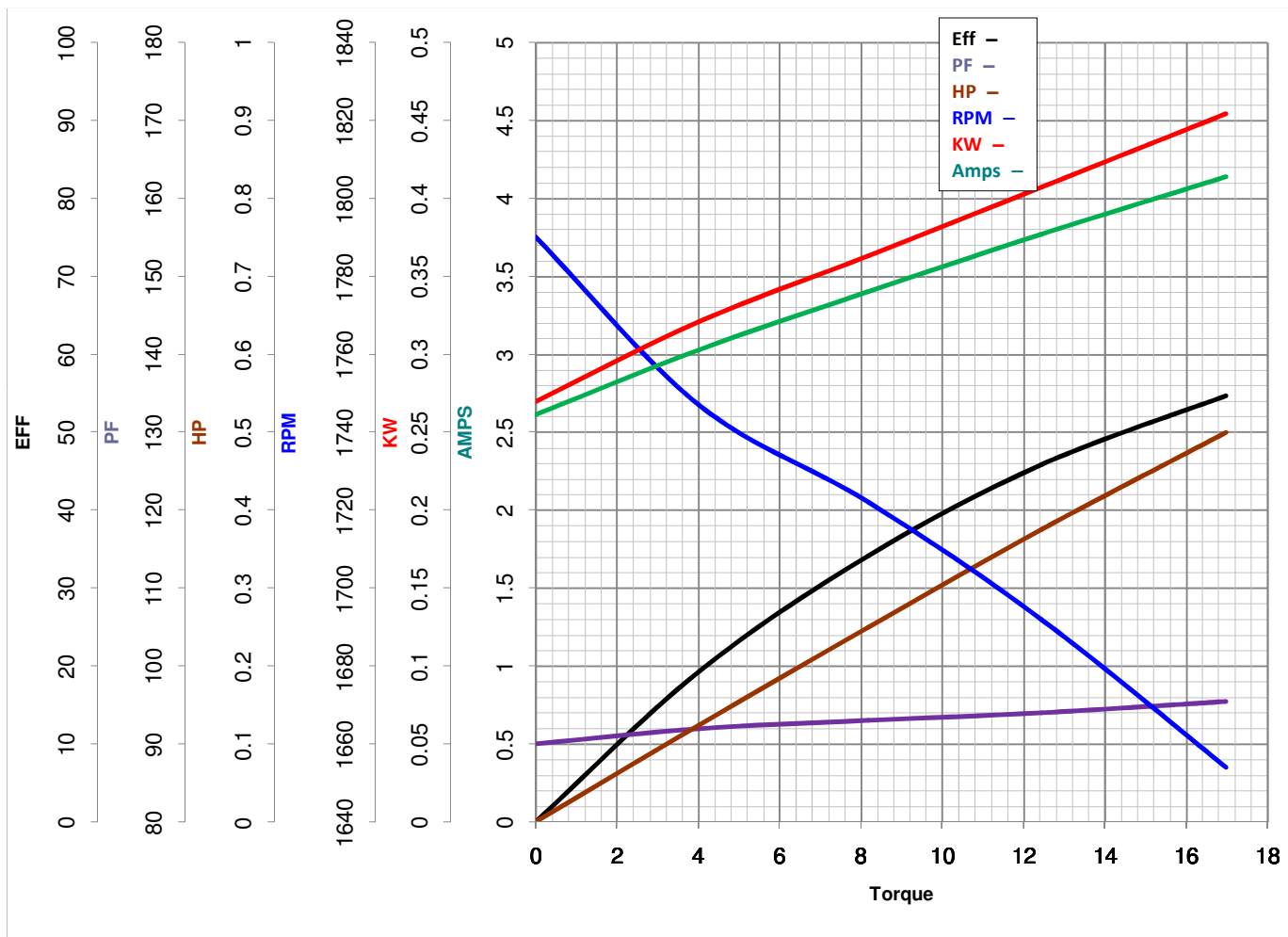


LEESON ELECTRIC CORPORATION
TYPICAL PERFORMANCE CURVE for AC MOTOR

Model No 100704.00

Catalog No 100704.00

Curve at 115 Volts HP 0.50 PHASE 1
60 HZ
0.5 HP VOLTS 115
HZ 60 RPM 1625



Torque in Oz.Ft

FL TORQUE 16.98 Oz.Ft
 BD TORQUE 37.3 Oz.Ft
 LR TORQUE 28.62 Oz.Ft

FL AMPS 5.1
 PU TORQUE 27.9 Oz.Ft
 LR AMPS 8.86

WINDING PE484452-1

Date 3/27/2018