

PRODUCT INFORMATION PACKET



Model No: A4P17NB9K

Catalog No: 100701.00

1/2HP..1625RPM.48.TENV.115/230V.1PH.60HZ.AIROVER.AUTOMATIC.40C.1.0SF.RIGID-EXTENDED
STUDS.AG - FAN & BLOWER.A4P17NB9K

Agricultural



Regal and Leeson are trademarks of Regal Beloit Corporation or one of its affiliated companies.

©2018 Regal Beloit Corporation, All Rights Reserved. MC017097E





Nameplate Specifications

Output HP	0.50 Hp	Output KW	0.37 kW
Frequency	60 Hz	Voltage	115/230 V
Current	5.0/2.5 A	Speed	1625 rpm
Service Factor	1	Phase	1
Efficiency	73 %	Duty	Continuous
Insulation Class	B	Design Code	N
KVA Code	F	Frame	48Y
Enclosure	Totally Enclosed Air Over	Overload Protector	Automatic
Ambient Temperature	40 °C	Drive End Bearing Size	6203
Opp Drive End Bearing Size	6203	UL	Recognized
CSA	Y	CE	N
IP Code	43		

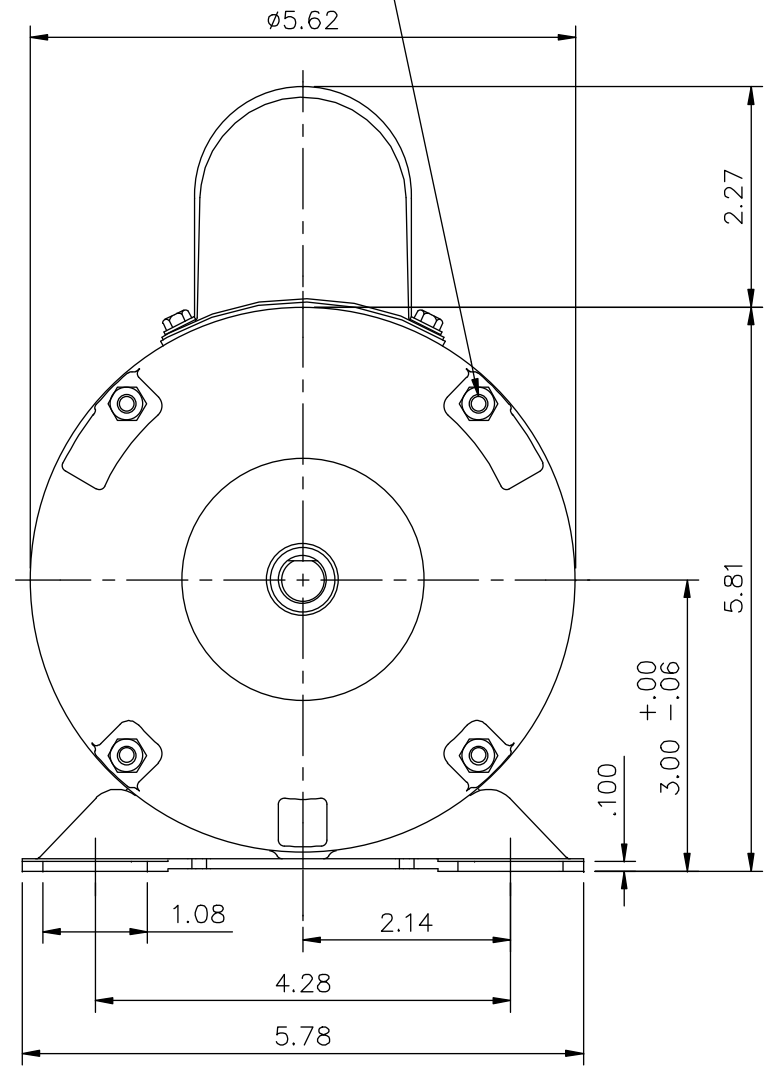
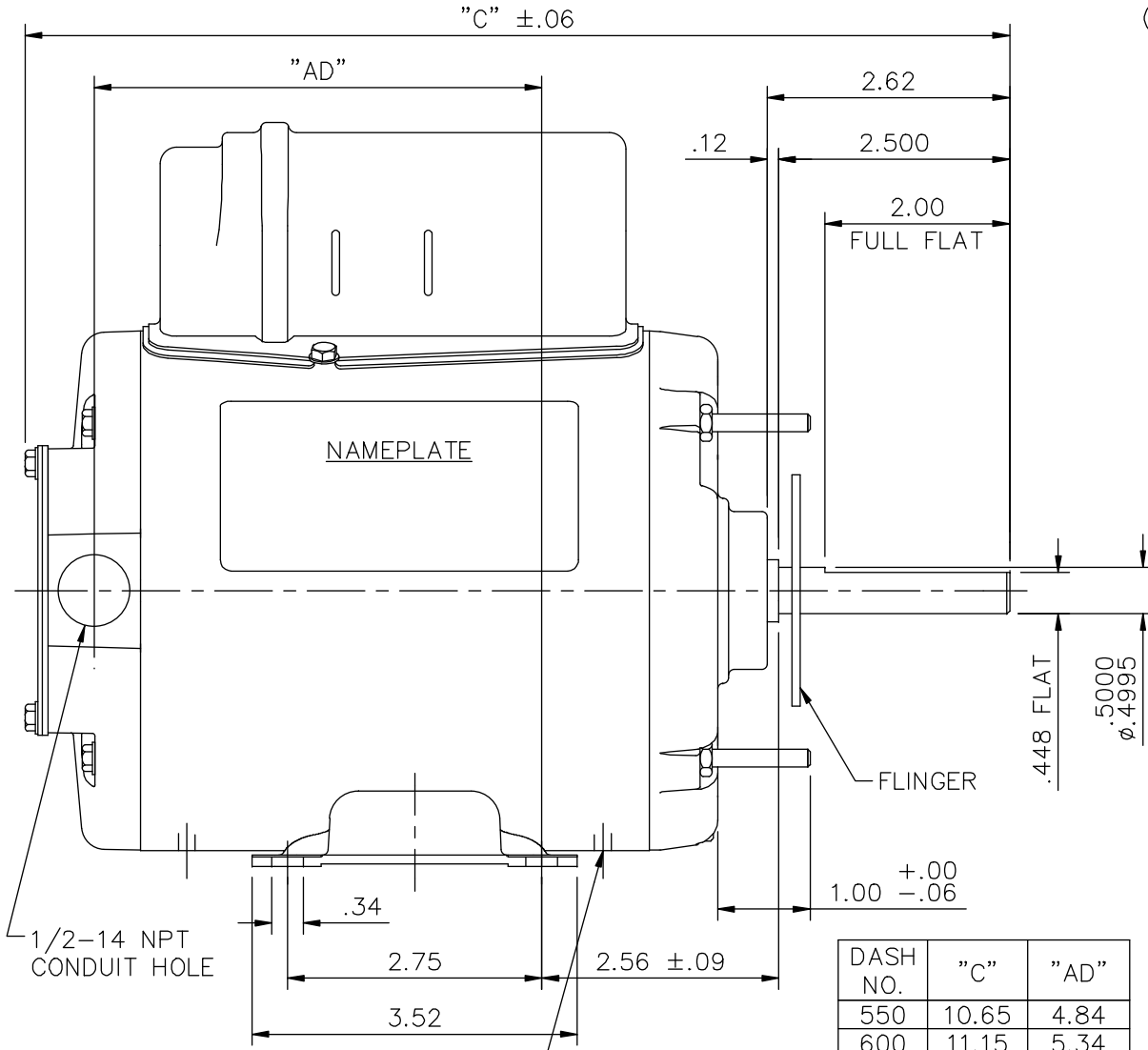
Technical Specifications

Electrical Type	Permanent Split Capacitor	Starting Method	Across The Line
Poles	4	Rotation	Selective Counterclockwise
Mounting	Rigid base	Motor Orientation	HORIZONTAL
Drive End Bearing	BALL	Opp Drive End Bearing	BALL
Frame Material	Rolled Steel	Shaft Type	Single Special Extension
Overall Length	12.15 in	Frame Length	7.00 in
Shaft Diameter	0.500 in	Shaft Extension	2.5 in
Assembly/Box Mounting	F1 ONLY		
Outline Drawing	031707-700	Connection Diagram	A-005109-01

This is an uncontrolled document once printed or downloaded and is subject to change without notice. Date Created: 10/15/2018


031707

10-32 UNF 2A THRU BOLTS
(4) REQ'D. ON A Ø5.125 B.C.

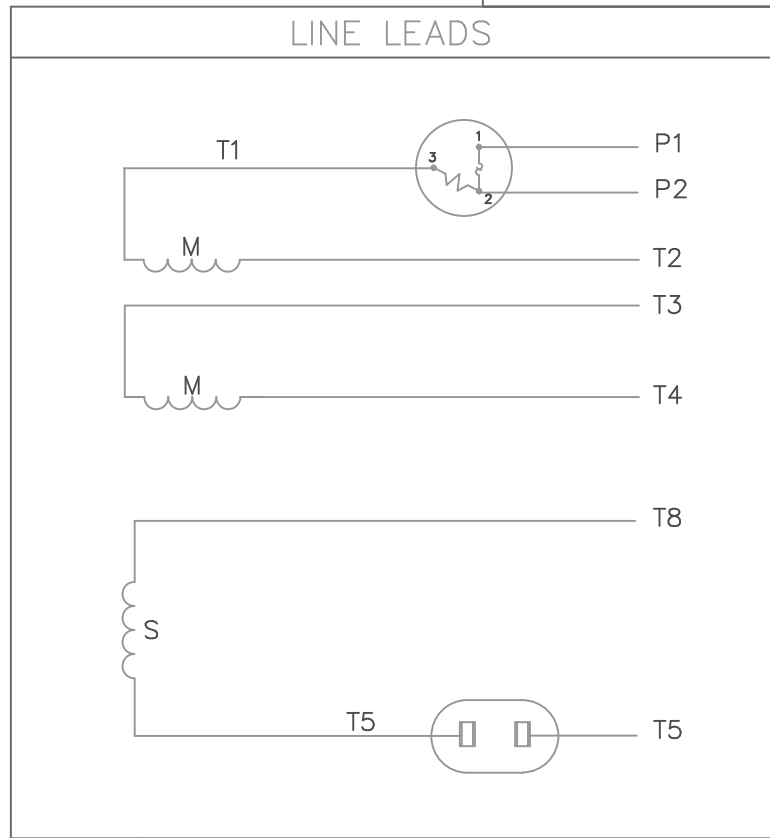
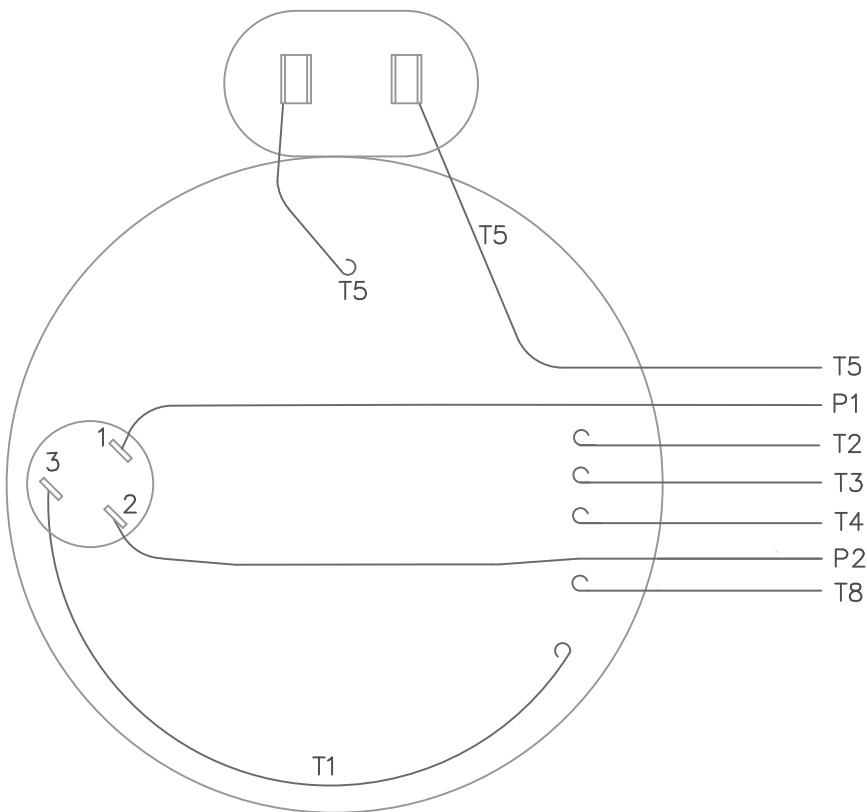


DASH NO.	"C"	"AD"
550	10.65	4.84
600	11.15	5.34
625	11.40	5.59
650	11.65	5.84
700	12.15	6.34

GASKETS THROUGHOUT

		TOLERANCES UNLESS SPECIFIED		 ELECTRIC MOTORS GEARMOTORS AND DRIVES	DRAWN PG 7/24/02
		DEC.	INCHES		CHK
		.X	±.1		APPD
		.XX	±.03		SCALE 1=2
		.XXX	±.005		REF 030986
		.XXXX	±.0005	MAT'L.	FMF 100700.00
NO.	REVISION	BY & DATE	CHK ANG ±1/2'	FINISH	PREV
THIS DRAWING IN DESIGN AND DETAIL IS OUR PROPERTY AND MUST NOT BE USED EXCEPT IN CONNECTION WITH OUR WORK ALL RIGHTS OF DESIGN AND INVENTION ARE RESERVED THIS IS AN ELECTRONICALLY GENERATED DOCUMENT - DO NOT SCALE THIS PRINT			RFP	CAD FILE 031707	SIZE A
			DIST		DRAWING NO. 031707
					REV.

VIEW FROM OUTSIDE OF MOTOR AT SWITCH END.



	ROTATION FACING LEAD END	L1	L2	JOIN	INSULATE SEPARATELY
HIGH VOLT	C.C.W.	P1	T4 T5	T2, T3 T8	P2
	C.W.	P1	T4 T8	T2, T3 T5	P2
LOW VOLT	C.C.W.	P1	T2, T4 T5	P2, T3 T8	--
	C.W.	P1	T2, T4 T8	P2, T3 T5	--

				TOLERANCES UNLESS OTHERWISE SPECIFIED			LEESON ELECTRIC CORPORATION				
				DEC.	INCHES	METRIC					
				.X	±	±	DRAWN JRW 10/01/75		TITLE EXTERNAL WIRING DIAGRAM TYPE "P" W/PROTECTOR		
				.XX	±	±	APPR. JBM 10/02/75				
08	REDRAWN ON CAD	DBT 05/28/97		.XXX	±	±	R.F.P.		MAT'L. DECAL - 004011 BRF		
NO.	REVISION	BY & DATE	CH'K'D.	.XXXX	±	±	SCALE 1=1				
THIS DRAWING IN DESIGN AND DETAIL IS OUR PROPERTY AND MUST NOT BE USED EXCEPT IN CONNECTION WITH OUR WORK ALL RIGHTS OF DESIGN AND INVENTION ARE RESERVED THIS IS AN ELECTRONICALLY GENERATED DOCUMENT - DO NOT SCALE THIS PRINT				FRACTIONS	±		REF.	005003	FINISH	REV. 08	DRAWING NO. 005109-01
				ANGLES	±		FMF	W-P5567			



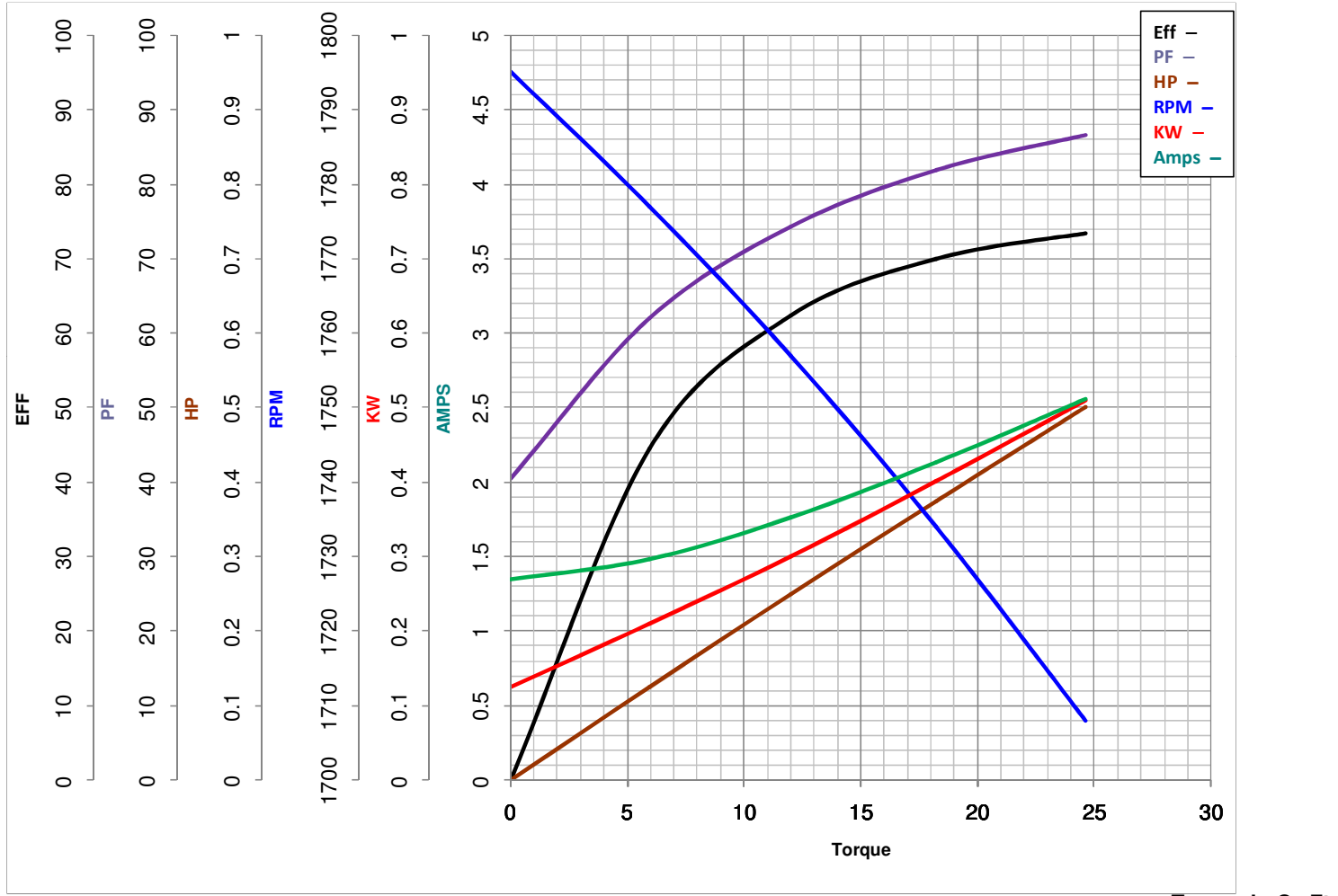
LEESON ELECTRIC CORPORATION
 TYPICAL PERFORMANCE CURVE for AC MOTOR

Model No 100701.00

Catalog No 100701.00

Curve at 230 Volts HP 0.50 PHASE 1
60 HZ
0.5 HP VOLTS 115/230

HZ 60 RPM 1625



FL TORQUE	<u>24.64</u> Oz.Ft	FL AMPS	<u>5/2.5</u>
BD TORQUE	<u>55.9</u> Oz.Ft	PU TORQUE	<u>18.7</u> Oz.Ft
LR TORQUE	<u>18.85</u> Oz.Ft	LR AMPS	<u>11.07</u>
WINDING	PE484466-5	Date	3/28/2018