

PRODUCT INFORMATION PACKET



Model No: A4P11NH1H

Catalog No: 100604.00

..1/3HP..1140RPM.S56Z.TENV.115/208-230V.1PH.60HZ.AIROVER.40C.1.0SF.RIGID.A4P11NH1H.....AG -
FAN & BLOWER.AUTOMATIC.....

Agricultural



Regal and Leeson are trademarks of Regal Beloit Corporation or one of its affiliated companies.

©2018 Regal Beloit Corporation, All Rights Reserved. MC017097E





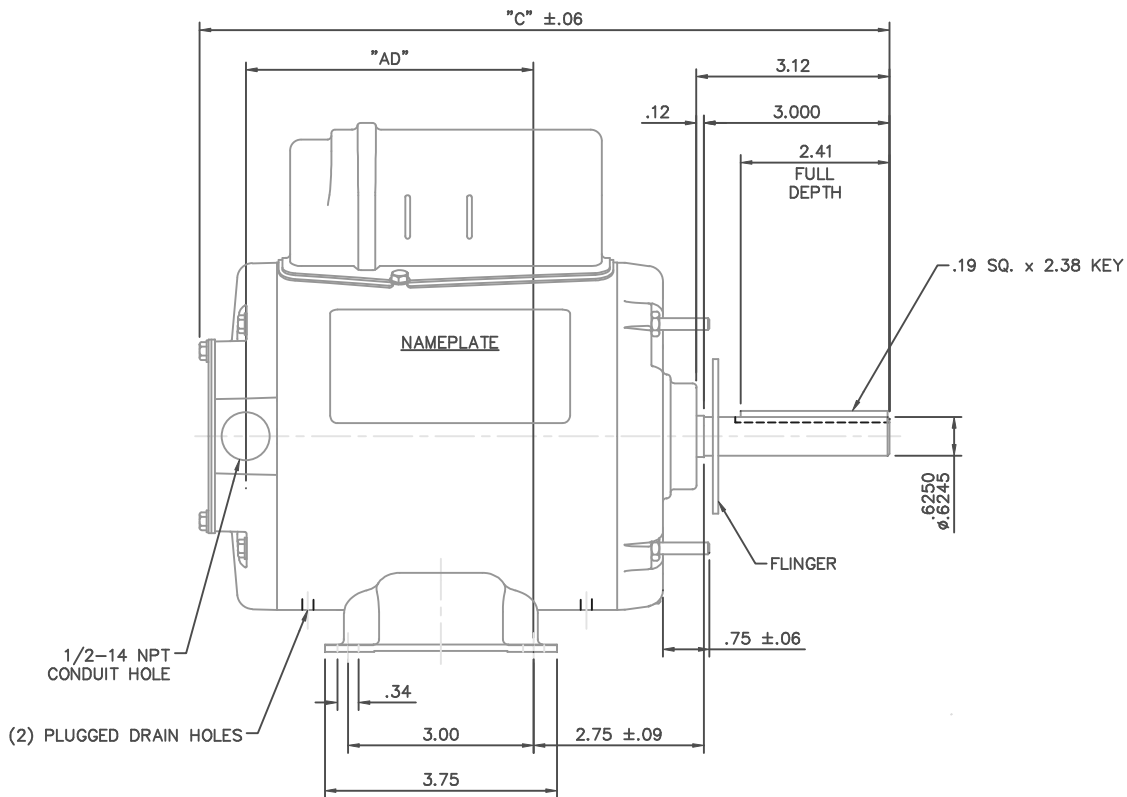
Nameplate Specifications

Output HP	0.33 Hp	Output KW	0.25 kW
Frequency	60 Hz	Voltage	115/208-230 V
Current	3.6/1.9-1.8 A	Speed	1140 rpm
Service Factor	1	Phase	1
Efficiency	70 %	Duty	Continuous
Insulation Class	B	Design Code	N
KVA Code	D	Frame	S56Z
Enclosure	Totally Enclosed Air Over	Overload Protector	Automatic
Ambient Temperature	40 °C	Drive End Bearing Size	6203
Opp Drive End Bearing Size	6203	UL	Recognized
CSA	Y	CE	N
IP Code	43		

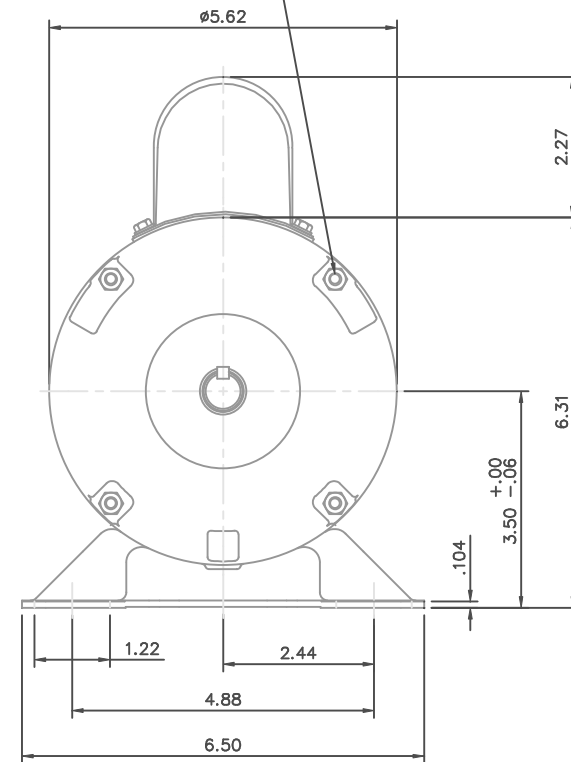
Technical Specifications

Electrical Type	Permanent Split Capacitor	Starting Method	Across The Line
Poles	6	Rotation	Selective Counterclockwise
Mounting	Rigid base	Motor Orientation	HORIZONTAL
Drive End Bearing	BALL	Opp Drive End Bearing	BALL
Frame Material	Rolled Steel	Shaft Type	Single Special Extension
Overall Length	11.40 in	Frame Length	5.75 in
Shaft Diameter	0.625 in	Shaft Extension	3.12 in
Assembly/Box Mounting	F1 ONLY		
Outline Drawing	031711-575	Connection Diagram	005109.15

This is an uncontrolled document once printed or downloaded and is subject to change without notice. Date Created: 10/15/2018



10-32 UNF 2A THRU BOLTS
(4) REQ'D. ON A Ø5.125 B.C.



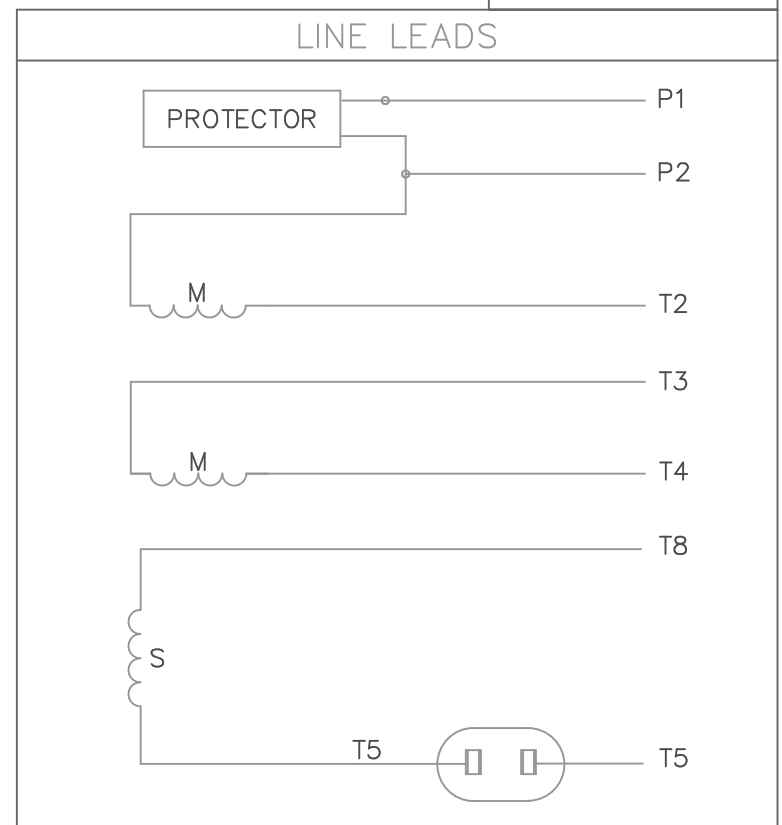
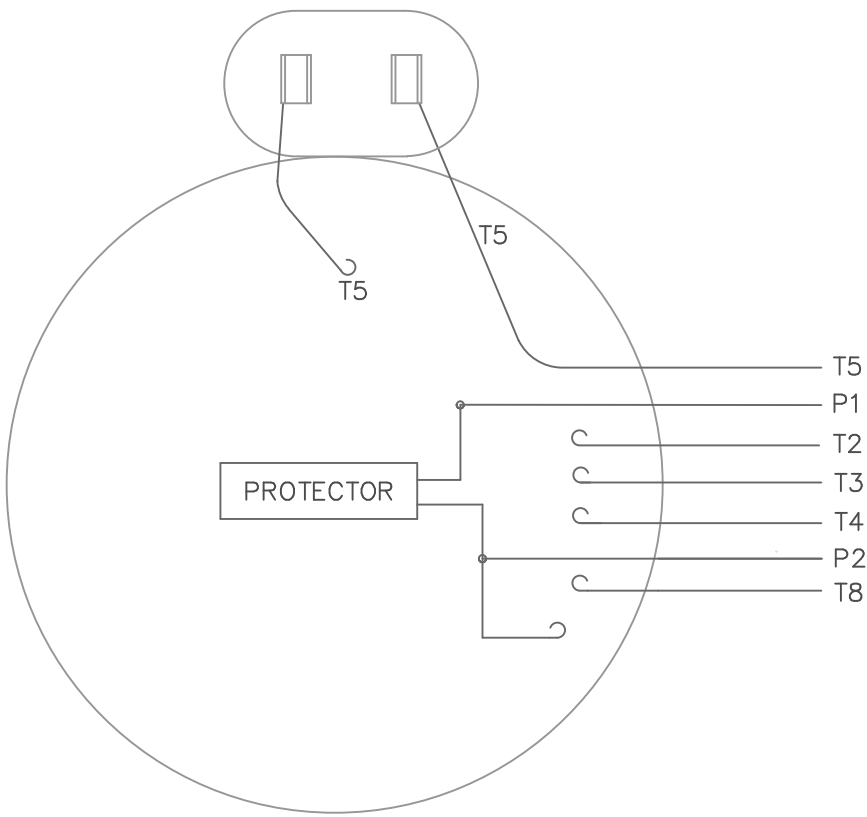
DASH NO.	"C"	"AD"
550	11.15	4.65
575	11.40	4.90
600	11.65	5.15
625	11.90	5.40
650	12.15	5.65
675	12.40	5.90
700	12.65	6.15

GASKETS THROUGHOUT


NO.		REVISION	BY & DATE	CHK	ANG	±1/2"	FINISH	PREV					
THIS DRAWING IN DESIGN AND DETAIL IS OUR PROPERTY AND MUST NOT BE USED EXCEPT IN CONNECTION WITH OUR WORK ALL RIGHTS OF DESIGN AND INVENTION ARE RESERVED THIS IS AN ELECTRONICALLY GENERATED DOCUMENT - DO NOT SCALE THIS PRINT				RFP			CAD FILE	031711	SIZE	B	DRAWING NO.	031711	REV.
				DIST									

TO TOLERANCES UNLESS SPECIFIED		DEC. INCHES		ELECTRIC MOTORS GEARMOTORS AND DRIVES	DRAWN	PG 8/8/02				
.X	±.1				CHK					
.XX	±.03				APPD					
.XXX	±.005				SCALE	1=2				
.XXXX	±.0005				REF	030422				
				MAT'L	FMF	100804.00				
				CHK	ANG	±1/2"	FINISH	PREV		

VIEW FROM OUTSIDE OF MOTOR AT SWITCH END.



	ROTATION FACING LEAD END	L1	L2	JOIN	INSULATE SEPARATELY
HIGH VOLT	C.C.W.	P1	T4 T5	T2, T3 T8	P2
	C.W.	P1	T4 T8	T2, T3 T5	P2
LOW VOLT	C.C.W.	P1	T2, T4 T5	P2, T3 T8	--
	C.W.	P1	T2, T4 T8	P2, T3 T5	--

		TOLERANCES UNLESS SPECIFIED		 ELECTRIC MOTORS GEARMOTORS AND DRIVES		DRAWN PG 3/4/02		
		DEC.	INCHES			CHK		
		.X	±.1			APPD		
		.XX	±.01			SCALE 1=1		
		.XXX	±.005			REF 005109-01		
		.XXXX	±.0005	MAT'L. DECAL - 004011		FMF 102675		
NO.	REVISION	BY & DATE	CHK	ANG ±1/2'	FINISH	PREV		
THIS DRAWING IN DESIGN AND DETAIL IS OUR PROPERTY AND MUST NOT BE USED EXCEPT IN CONNECTION WITH OUR WORK ALL RIGHTS OF DESIGN AND INVENTION ARE RESERVED THIS IS AN ELECTRONICALLY GENERATED DOCUMENT - DO NOT SCALE THIS PRINT			RFP	CAD FILE	00510915	SIZE A	DRAWING NO. 005109-15	REV.
			DIST					



LEESON ELECTRIC CORPORATION
 TYPICAL PERFORMANCE CURVE for AC MOTOR

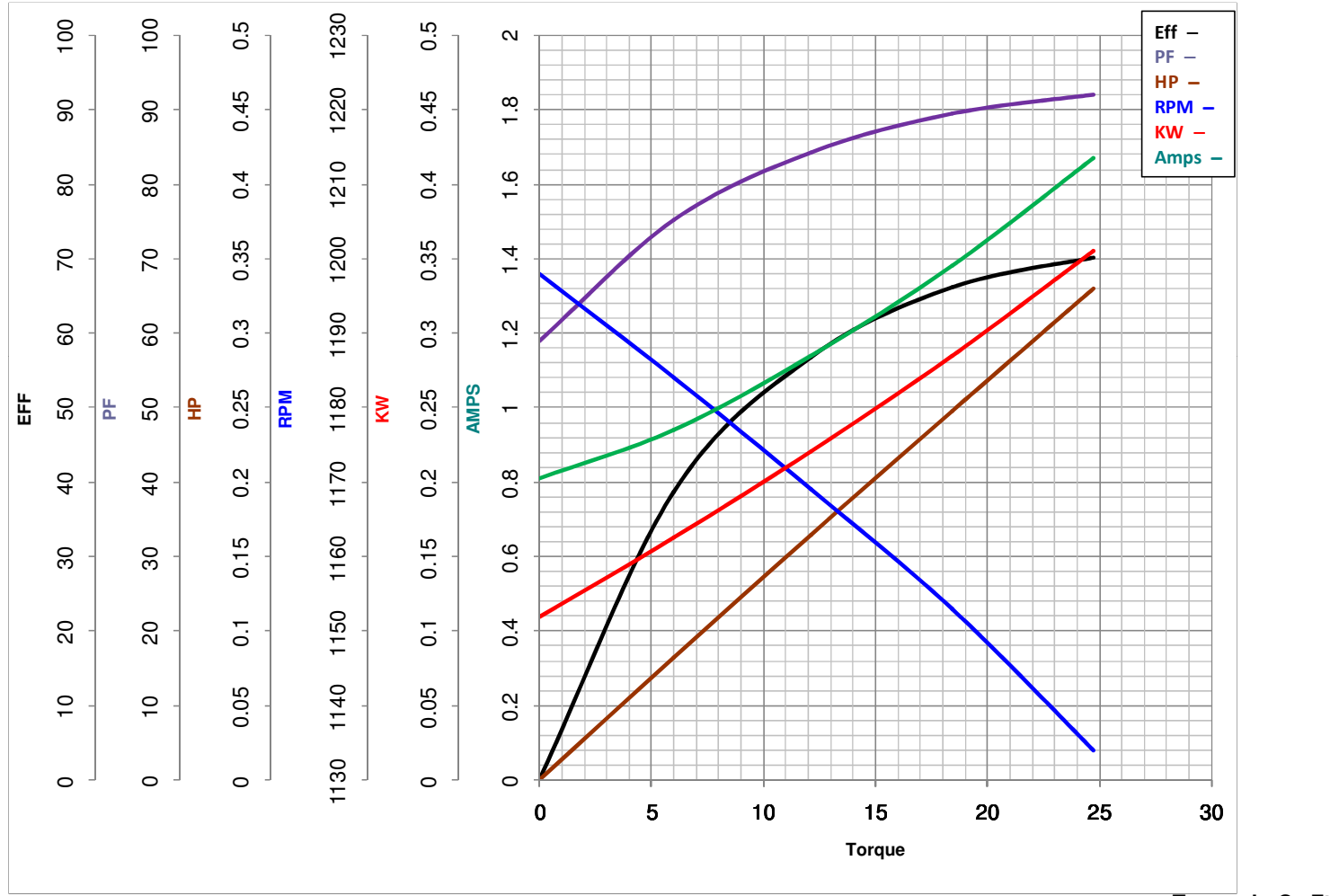
Curve at 230 Volts HP 0.34 PHASE 1
60 HZ
0.33 HP VOLTS 115/208-230

Model No 100604.00

Catalog No 100604.00

HZ 60

RPM 1140



FL TORQUE	<u>24.73</u> Oz.Ft	FL AMPS	<u>3.6/1.9-1.8</u>
BD TORQUE	<u>48.0</u> Oz.Ft	PU TORQUE	<u>12.5</u> Oz.Ft
LR TORQUE	<u>13.5</u> Oz.Ft	LR AMPS	<u>6</u>
WINDING	PE4862007-3	Date	3/13/2018