

# PRODUCT INFORMATION PACKET



Model No: A4C34DC8H

Catalog No: 100208.00

3/4HP..3450RPM.56.DP.115/208-230V.1PH.60HZ.CONT.AUTOMATIC.40C.1.5SF.ROUND.JET  
PUMP.A4C34DC8H

Jet Pump



Regal and Leeson are trademarks of Regal Beloit Corporation or one of its affiliated companies.

©2018 Regal Beloit Corporation, All Rights Reserved. MC017097E





### Nameplate Specifications

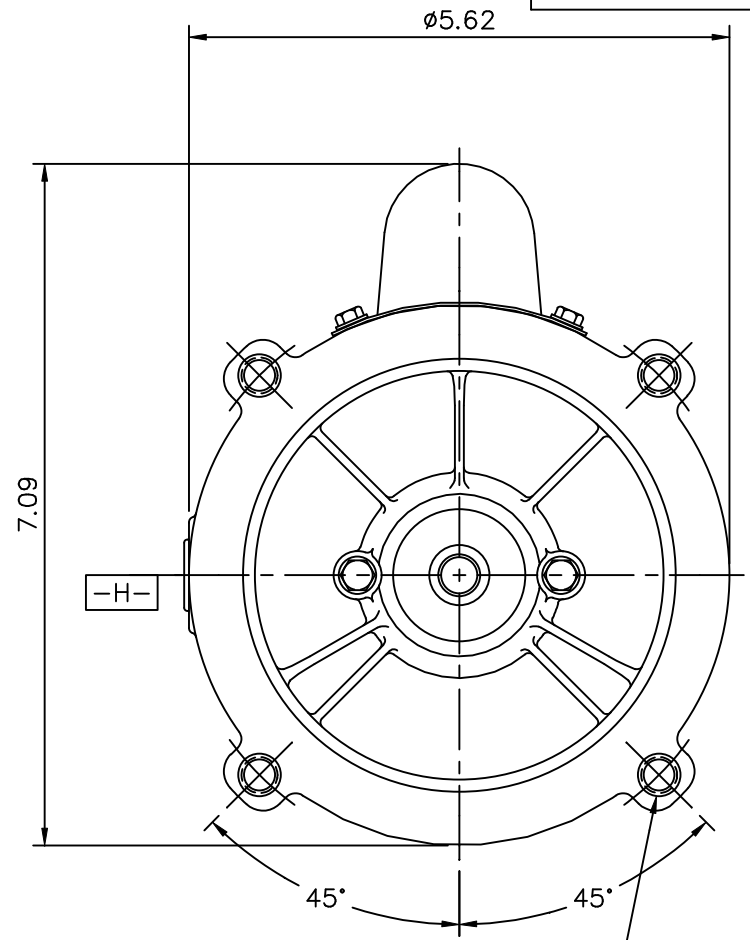
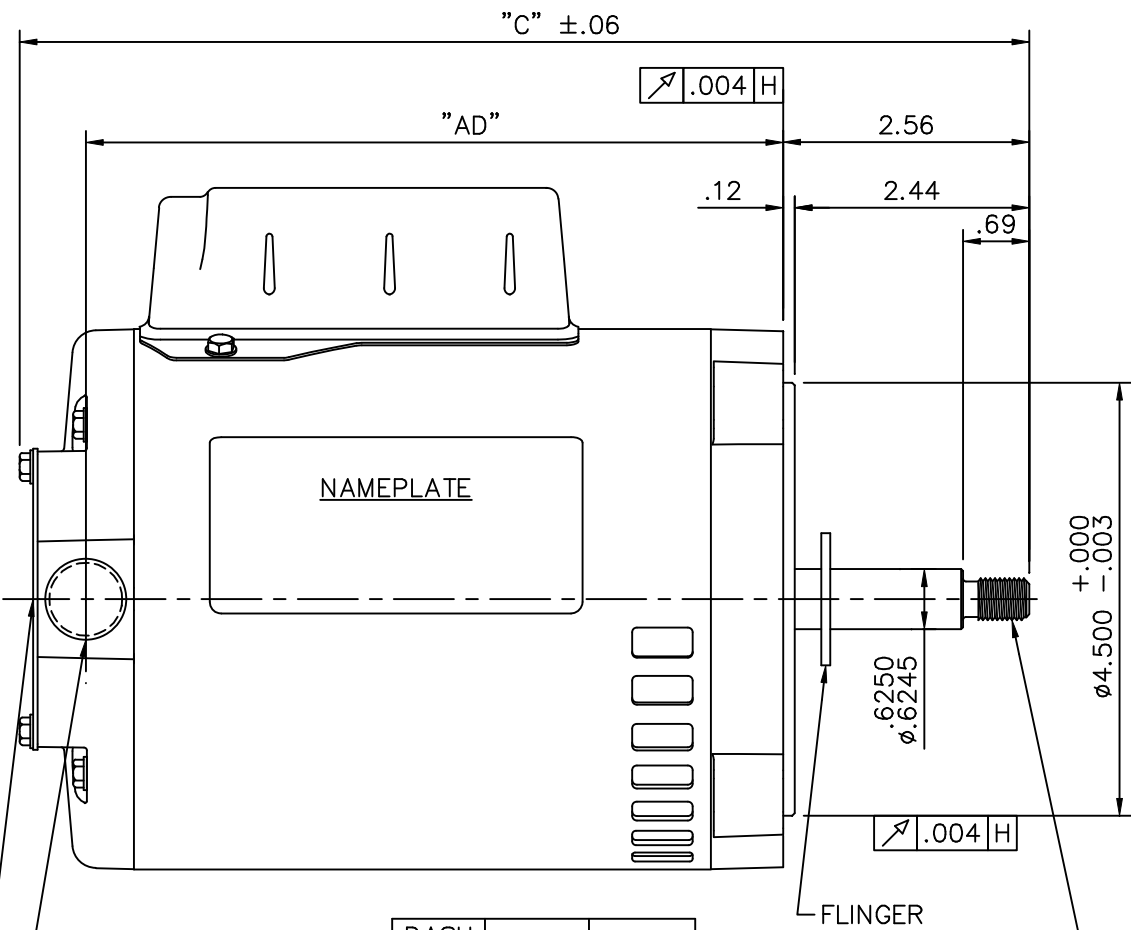
Output HP	<b>0.75 Hp</b>	Output KW	<b>0.56 kW</b>
Frequency	<b>60 Hz</b>	Voltage	<b>115/208-230 V</b>
Current	<b>10.2/4.8-5.1 A</b>	Speed	<b>3450 rpm</b>
Service Factor	<b>1.5</b>	Phase	<b>1</b>
Efficiency	<b>66 %</b>	Duty	<b>Continuous</b>
Insulation Class	<b>B</b>	Design Code	<b>N</b>
KVA Code	<b>K</b>	Frame	<b>56J</b>
Enclosure	<b>Drip Proof</b>	Overload Protector	<b>Automatic</b>
Ambient Temperature	<b>40 °C</b>	Drive End Bearing Size	<b>6203</b>
Opp Drive End Bearing Size	<b>6203</b>	UL	<b>Recognized</b>
CSA	<b>Y</b>	CE	<b>N</b>
IP Code	<b>22</b>		

### Technical Specifications

Electrical Type	<b>Capacitor Start Induction Run</b>	Starting Method	<b>Across The Line</b>
Poles	<b>2</b>	Rotation	<b>Fixed Clockwise</b>
Mounting	<b>Round</b>	Motor Orientation	<b>HORIZONTAL</b>
Drive End Bearing	<b>BALL</b>	Opp Drive End Bearing	<b>BALL</b>
Frame Material	<b>Rolled Steel</b>	Shaft Type	<b>J</b>
Overall Length	<b>10.50 in</b>	Frame Length	<b>6.00 in</b>
Shaft Diameter	<b>0.625 in</b>	Shaft Extension	<b>2.44 in</b>
Assembly/Box Mounting	<b>F1 ONLY</b>		
Outline Drawing	<b>031731-600</b>	Connection Diagram	<b>005049.17</b>

This is an uncontrolled document once printed or downloaded and is subject to change without notice. Date Created: 10/15/2018

031731




1/2-14 NPT CONDUIT HOLE  
SCREWDRIVER SLOT IN SHAFT

DASH NO.	"C"	"AD"
550	10.00	6.75
575	10.25	7.00
600	10.50	7.25
625	10.75	7.50
650	11.00	7.75
675	11.25	8.00
700	11.50	8.25

7/16-20 UNF 2A RIGHT HAND THREAD  
.004 H

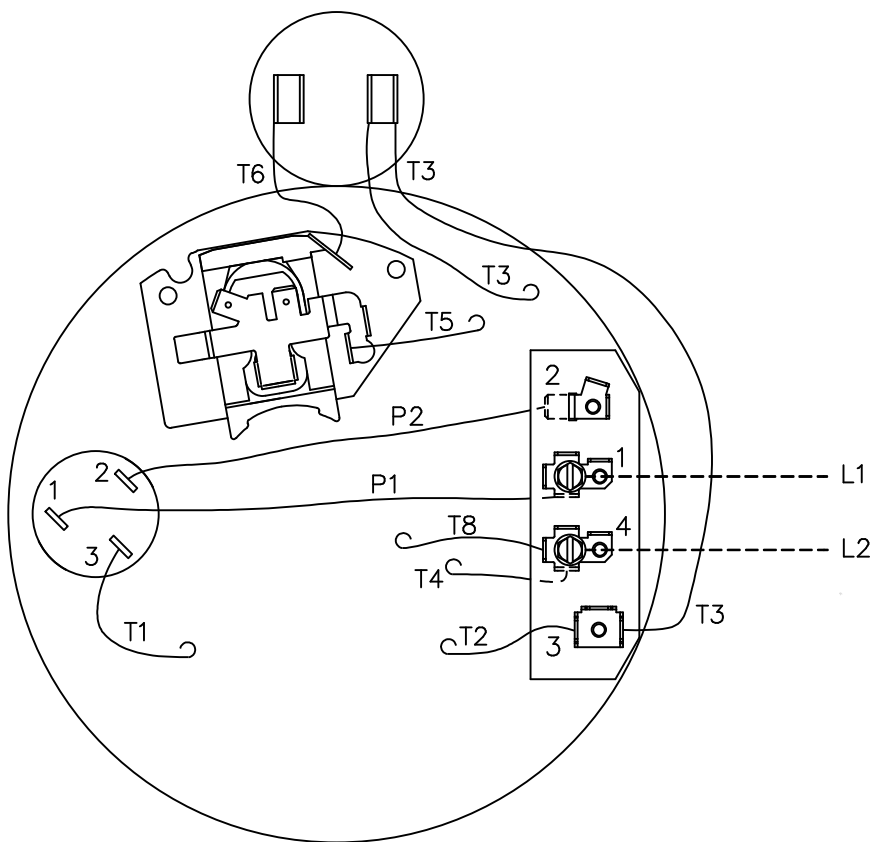
3/8-16 UNC 2B TAP x .56 DEEP  
(4) REQ'D. ON A 5.875 B.C.

		TOLERANCES UNLESS SPECIFIED		 ELECTRIC MOTORS GEARMOTORS AND DRIVES	DRAWN KMM 04/04/03	
		DEC.	INCHES		CHK	
		.X	±.1		APPD	
		.XX	±.03		SCALE 1=2	
		.XXX	±.005		REF 031391	
		.XXX	±.005	TITLE	OUTLINE - S56J FRAME "C" FACE MOUNT - DRIP PROOF	
		.XXXX	±.0005	MAT'L.	FMF 100208	
NO.	REVISION	BY & DATE	CHK	ANG	FINISH	PREV
THIS DRAWING IN DESIGN AND DETAIL IS OUR PROPERTY AND MUST NOT BE USED EXCEPT IN CONNECTION WITH OUR WORK ALL RIGHTS OF DESIGN AND INVENTION ARE RESERVED THIS IS AN ELECTRONICALLY GENERATED DOCUMENT - DO NOT SCALE THIS PRINT				RFP	CAD FILE 031731	SIZE A
				DIST	DRAWING NO. 031731	REV.

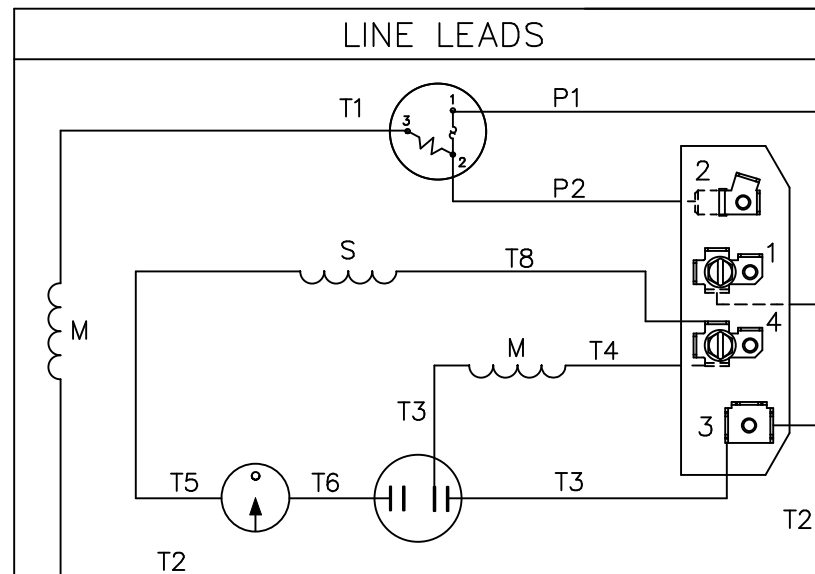
7/3/2007 5:25:39 AM -

Dealers Industrial Equipment -- Visit <https://DealersElectric.com> or call (908) 688-1966 for all of your electric motor & VFD needs!

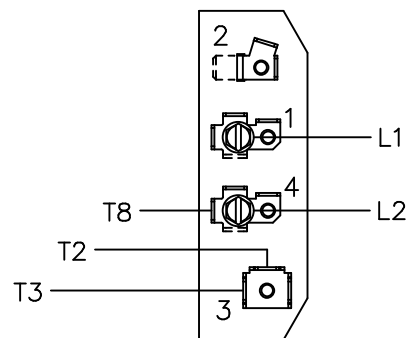
VIEW FROM OUTSIDE OF MOTOR AT SWITCH END.



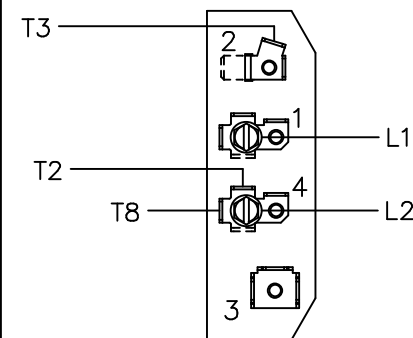
P1, P2, T4 TO GO TO  
BACK SIDE OF TERMINAL BOARD



HIGH VOLTAGE  
C.W.L.E. ROTATION



LOW VOLTAGE  
C.W.L.E. ROTATION



		TOLERANCES UNLESS SPECIFIED	
		DEC.	INCHES
		.X	±.1
		.XX	±.01
		.XXX	±.005
		.XXXX	±.0005
NO.	REVISION	BY & DATE	CHK

	ELECTRIC MOTORS GEARMOTORS AND DRIVES	DRAWN PG 1/31/03
		CHK
		APPD
	TITLE EXTERNAL WIRING DIAGRAM TYPE "C" W/PROTECTOR	SCALE 1=1
	MAT'L. DUAL VOLTAGE - C.W.L.E. ROTATION	REF 005049-13
FINISH	FMF 100207.00	PREV

THIS DRAWING IN DESIGN AND DETAIL IS OUR PROPERTY AND MUST NOT BE USED EXCEPT IN CONNECTION WITH OUR WORK ALL RIGHTS OF DESIGN AND INVENTION ARE RESERVED THIS IS AN ELECTRONICALLY GENERATED DOCUMENT - DO NOT SCALE THIS PRINT		RFP	CAD FILE 00504917	SIZE A	DRAWING NO. 005049-17	REV.
		DIST				

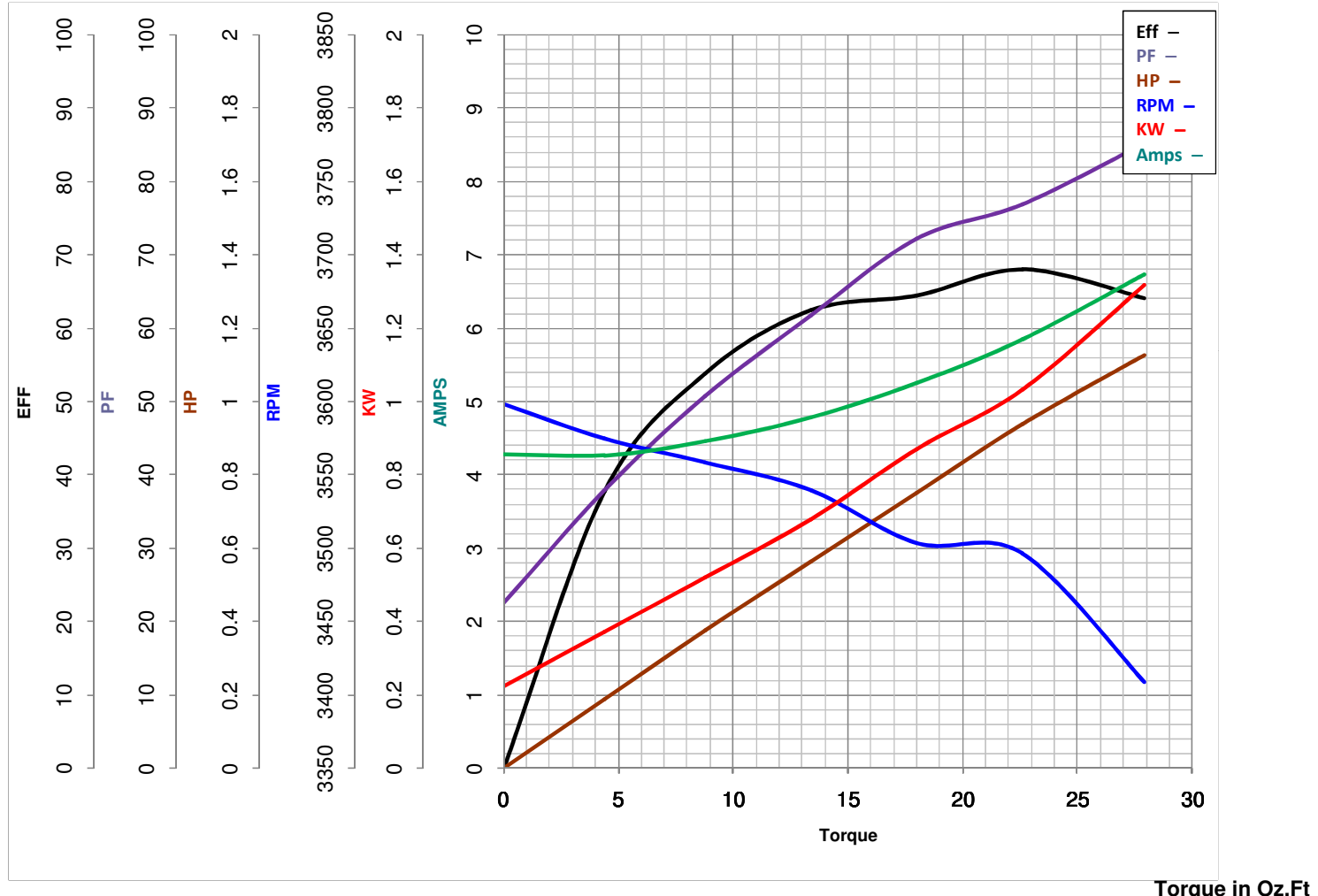


**LEESON ELECTRIC CORPORATION**  
TYPICAL PERFORMANCE CURVE for AC MOTOR

Model No 100208.00

Catalog No 100208.00

Curve at 230 Volts      HP 0.75      PHASE 1  
60 HZ  
0.75 HP      VOLTS 115/208-230  
HZ 60      RPM 3450



<b>FL TORQUE</b>	<u>18</u>	<b>Oz.Ft</b>	<b>FL AMPS</b>	<u>10.2/4.8-5.1</u>
<b>BD TORQUE</b>	<u>48.0</u>	<b>Oz.Ft</b>	<b>PU TORQUE</b>	<u>36.4</u> <b>Oz.Ft</b>
<b>LR TORQUE</b>	<u>37.3</u>	<b>Oz.Ft</b>	<b>LR AMPS</b>	<u>28.6</u>
<b>WINDING</b>	<u>CE482256-3</u>		<b>Date</b>	<u>5/18/2018</u>