

PRODUCT INFORMATION PACKET



Model No: A4C34DC7J

Catalog No: 100207.00

1/2HP..3450RPM.56.DP.115/208-230V.1PH.60HZ.CONT.AUTOMATIC.40C.1.6SF.ROUND.JET
PUMP.A4C34DC7J

Jet Pump



Regal and Leeson are trademarks of Regal Beloit Corporation or one of its affiliated companies.

©2018 Regal Beloit Corporation, All Rights Reserved. MC017097E





Nameplate Specifications

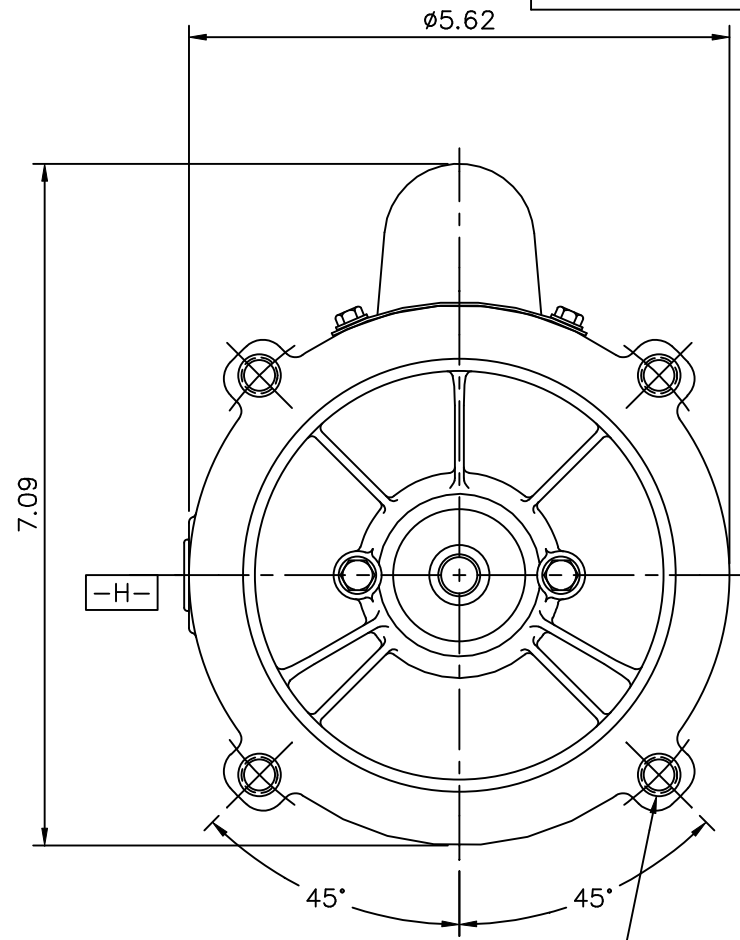
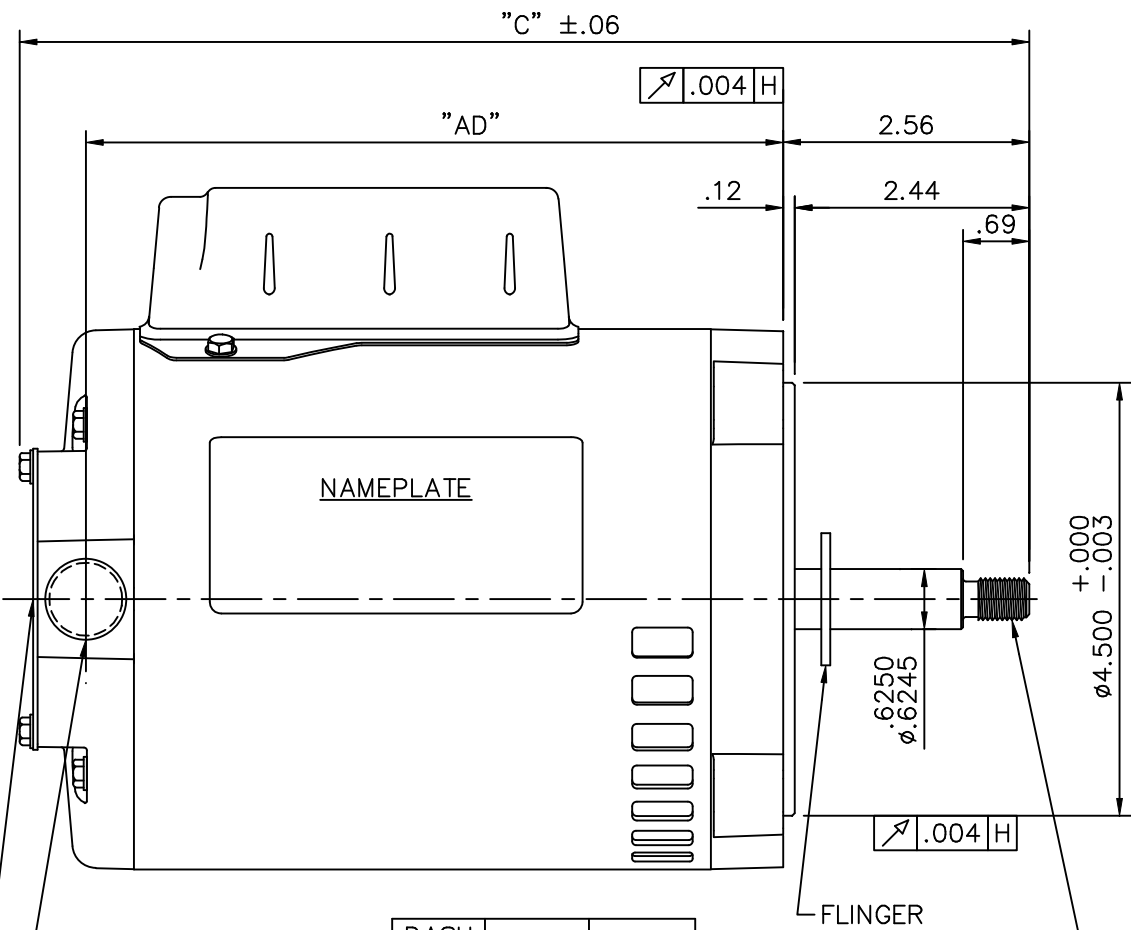
Output HP	0.50 Hp	Output KW	0.37 kW
Frequency	60 Hz	Voltage	115/208-230 V
Current	6.8/3.3-3.4 A	Speed	3450 rpm
Service Factor	1.6	Phase	1
Efficiency	66 %	Duty	Continuous
Insulation Class	B	Design Code	N
KVA Code	L	Frame	56J
Enclosure	Drip Proof	Overload Protector	Automatic
Ambient Temperature	40 °C	Drive End Bearing Size	6203
Opp Drive End Bearing Size	6203	UL	Recognized
CSA	Y	CE	N
IP Code	22		

Technical Specifications

Electrical Type	Capacitor Start Induction Run	Starting Method	Across The Line
Poles	2	Rotation	Fixed Clockwise
Mounting	Round	Motor Orientation	HORIZONTAL
Drive End Bearing	BALL	Opp Drive End Bearing	BALL
Frame Material	Rolled Steel	Shaft Type	J
Overall Length	10.00 in	Frame Length	5.50 in
Shaft Diameter	0.625 in	Shaft Extension	2.44 in
Assembly/Box Mounting	F1 ONLY		
Outline Drawing	031731-550	Connection Diagram	005049.17

This is an uncontrolled document once printed or downloaded and is subject to change without notice. Date Created: 10/15/2018

031731



1/2-14 NPT CONDUIT HOLE
SCREWDRIVER SLOT IN SHAFT

DASH NO.	"C"	"AD"
550	10.00	6.75
575	10.25	7.00
600	10.50	7.25
625	10.75	7.50
650	11.00	7.75
675	11.25	8.00
700	11.50	8.25

FLINGER
7/16-20 UNF 2A
RIGHT HAND THREAD
.004 H

3/8-16 UNC 2B TAP x .56 DEEP
(4) REQ'D. ON A 5.875 B.C.

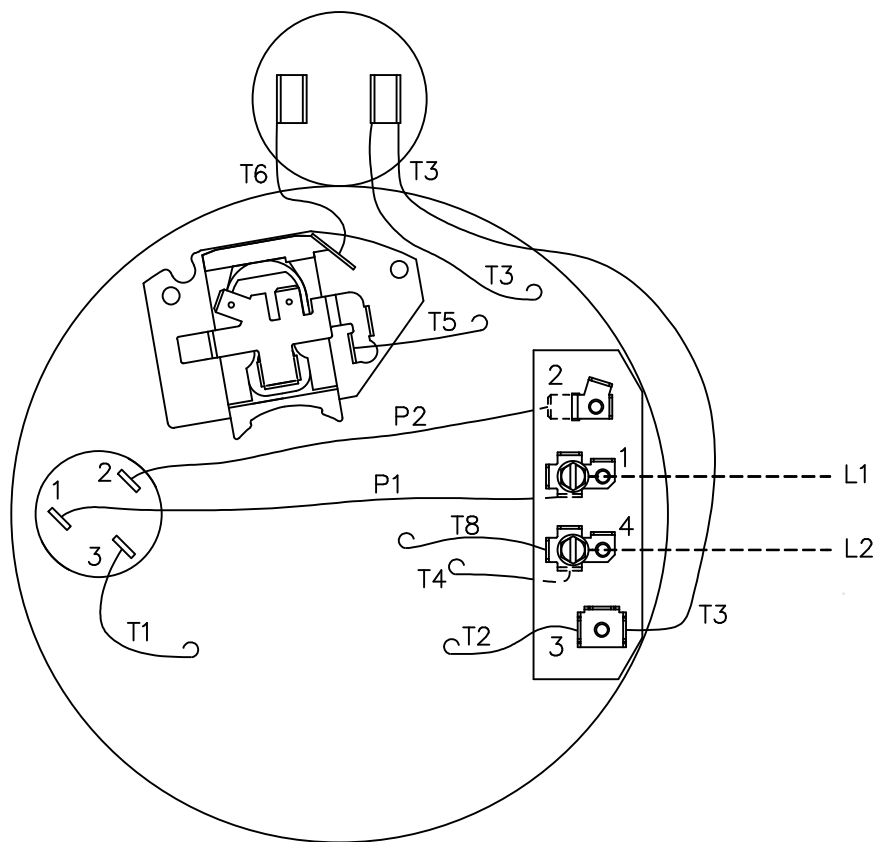
		TOLERANCES UNLESS SPECIFIED			ELECTRIC MOTORS GEARMOTORS AND DRIVES	DRAWN
		DEC.	INCHES			KMM 04/04/03
		.X	±.1			CHK
		.XX	±.03			APPD
		.XXX	±.005			SCALE 1=2
		.XXXX	±.0005	REF 031391		
NO.	REVISION	BY & DATE	CHK	ANG ±1/2°	MAT'L.	FMF 100208
				RFP	CAD FILE 031731	SIZE A
				DIST		DRAWING NO. 031731
						REV.

THIS DRAWING IN DESIGN AND DETAIL IS OUR PROPERTY AND MUST NOT BE USED EXCEPT IN CONNECTION WITH OUR WORK ALL RIGHTS OF DESIGN AND INVENTION ARE RESERVED THIS IS AN ELECTRONICALLY GENERATED DOCUMENT - DO NOT SCALE THIS PRINT

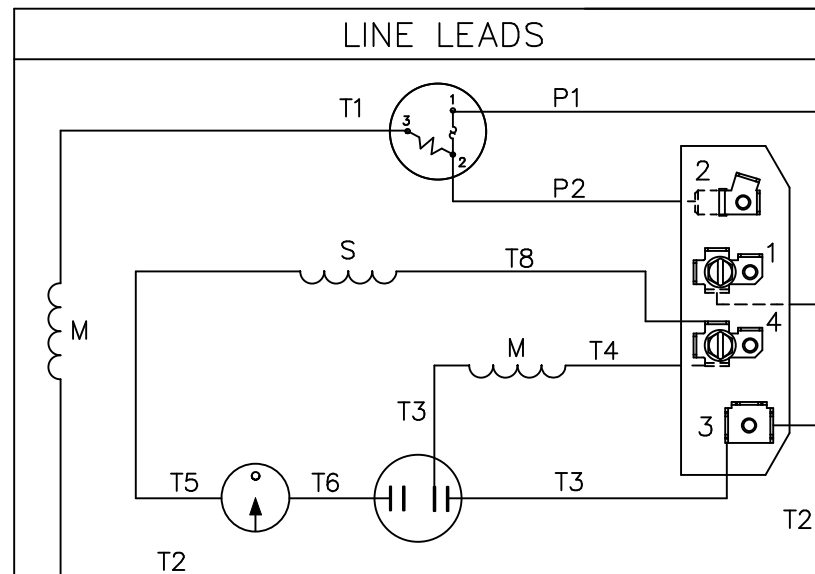
7/3/2007 5:25:39 AM -

Dealers Industrial Equipment -- Visit <https://DealersElectric.com> or call (908) 688-1966 for all of your electric motor & VFD needs!

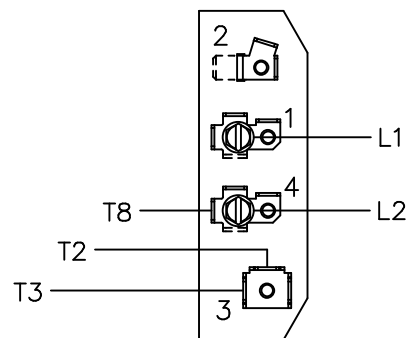
VIEW FROM OUTSIDE OF MOTOR AT SWITCH END.



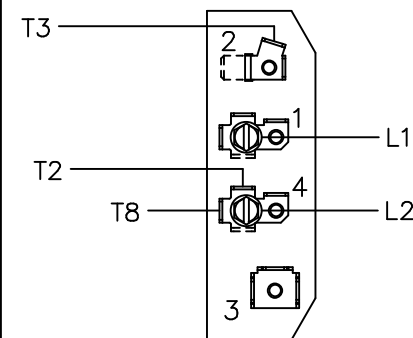
P1, P2, T4 TO GO TO
BACK SIDE OF TERMINAL BOARD




HIGH VOLTAGE
C.W.L.E. ROTATION



LOW VOLTAGE
C.W.L.E. ROTATION



				TOLERANCES UNLESS SPECIFIED	
				DEC.	INCHES
				.X	±.1
				.XX	±.01
				.XXX	±.005
				.XXXX	±.0005
NO.	REVISION	BY & DATE	CHK	ANG	±1/2"

 ELECTRIC MOTORS GEARMOTORS AND DRIVES	TITLE	EXTERNAL WIRING DIAGRAM TYPE "C" W/PROTECTOR	DRAWN	PG 1/31/03
	MAT'L.	DUAL VOLTAGE - C.W.L.E. ROTATION	CHK	
	FINISH		APPD	
			SCALE	1=1
			REF	005049-13
			FMF	100207.00
			PREV	

THIS DRAWING IN DESIGN AND DETAIL IS OUR PROPERTY AND MUST NOT BE USED EXCEPT IN CONNECTION WITH OUR WORK ALL RIGHTS OF DESIGN AND INVENTION ARE RESERVED THIS IS AN ELECTRONICALLY GENERATED DOCUMENT - DO NOT SCALE THIS PRINT		RFP	CAD FILE	00504917	SIZE	DRAWING NO.	REV.
		DIST			A	005049-17	



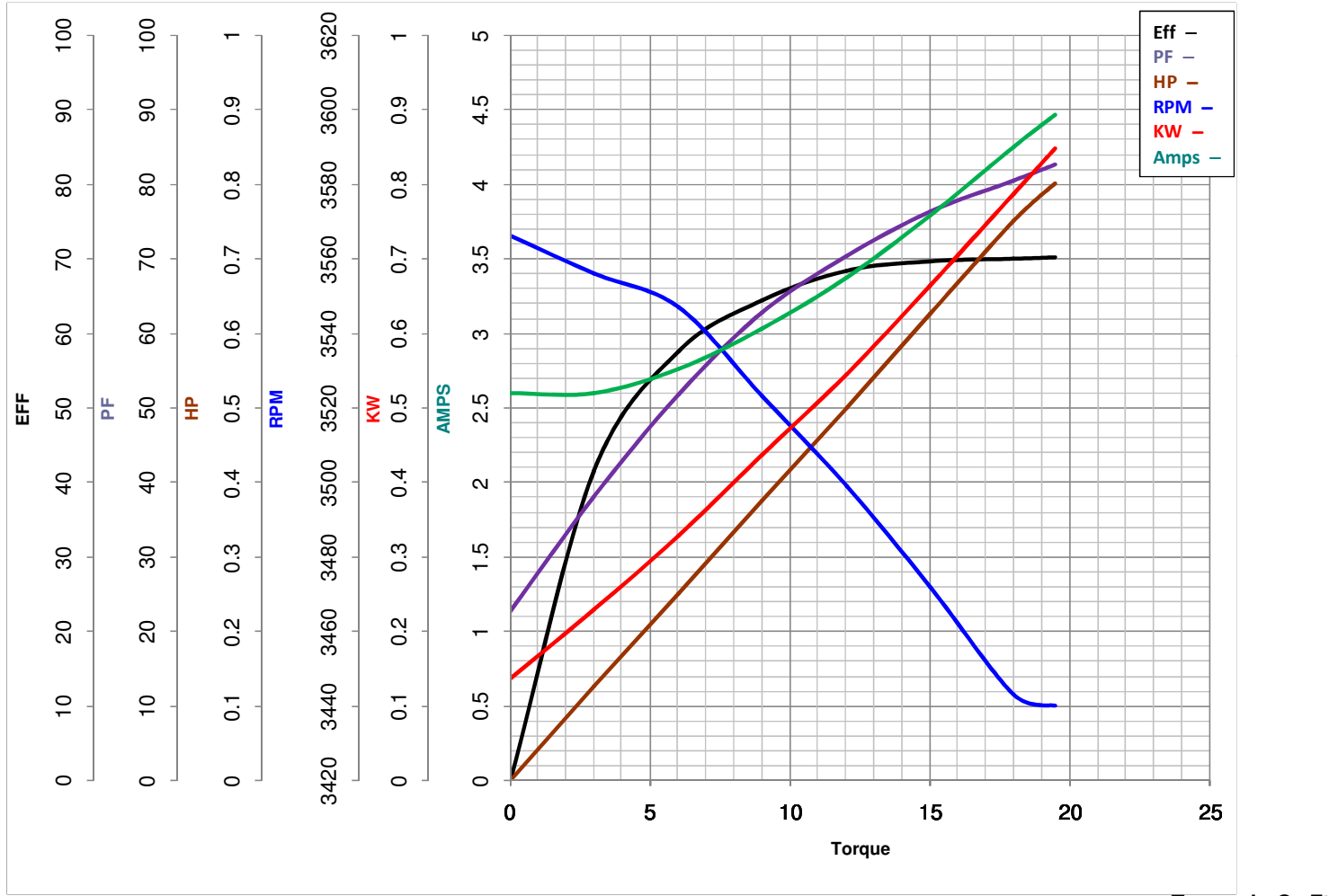
LEESON ELECTRIC CORPORATION
 TYPICAL PERFORMANCE CURVE for AC MOTOR

Model No 100207.00

Catalog No 100207.00

Curve at 230 Volts HP 0.50 PHASE 1
60 HZ
0.5 HP VOLTS 115/208-230

HZ 60 RPM 3450



FL TORQUE	<u>12</u> Oz.Ft	FL AMPS	<u>6.8/3.3-3.4</u>
BD TORQUE	<u>35.2</u> Oz.Ft	PU TORQUE	<u>31.5</u> Oz.Ft
LR TORQUE	<u>34.6</u> Oz.Ft	LR AMPS	<u>20.5</u>
WINDING	CE482235-3	Date	<u>7/17/2018</u>