

# PRODUCT INFORMATION PACKET



Model No: M4C17DJ18H

Catalog No: 100046.00

3/4HP..1725RPM.48.DP.115/208-230V.1PH.60HZ.CONT.MANUAL.40C.1.25SF.RESILIENT BASE.

Open Drip Proof (ODP)



Regal and Leeson are trademarks of Regal Beloit Corporation or one of its affiliated companies.

©2019 Regal Beloit Corporation, All Rights Reserved. MC017097E





### Nameplate Specifications

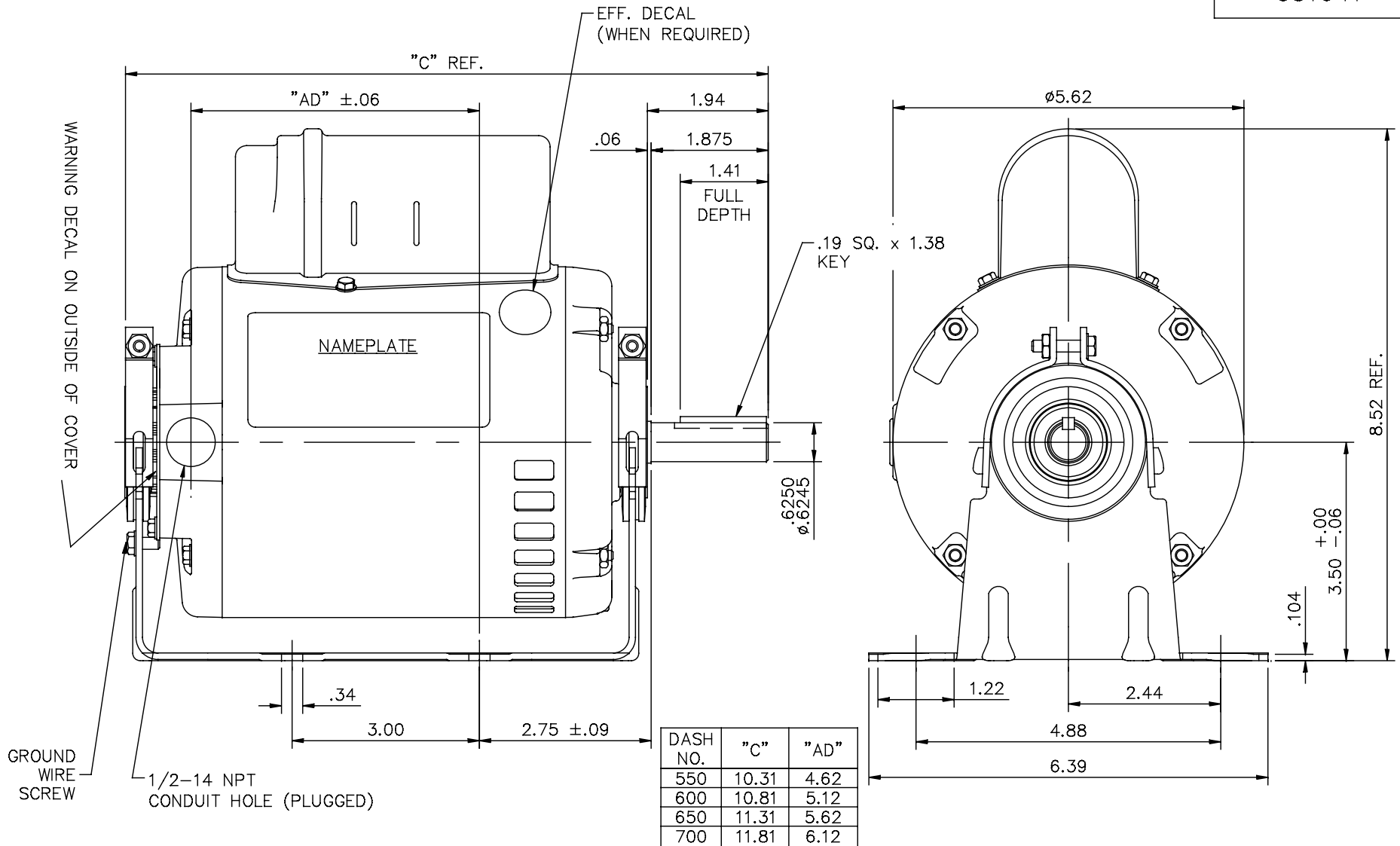
Output HP	<b>0.75 Hp</b>	Output KW	<b>0.56 kW</b>
Frequency	<b>60 Hz</b>	Voltage	<b>115/208-230 V</b>
Current	<b>10.8/5.3-5.4 A</b>	Speed	<b>1725 rpm</b>
Service Factor	<b>1.25</b>	Phase	<b>1</b>
Efficiency	<b>70 %</b>	Duty	<b>Continuous</b>
Insulation Class	<b>B</b>	Design Code	<b>N</b>
KVA Code	<b>K</b>	Frame	<b>S56</b>
Enclosure	<b>Drip Proof</b>	Overload Protector	<b>Manual</b>
Ambient Temperature	<b>40 °C</b>	Drive End Bearing Size	<b>6203</b>
Opp Drive End Bearing Size	<b>6203</b>	UL	<b>Recognized</b>
CSA	<b>Y</b>	CE	<b>N</b>
IP Code	<b>22</b>		

### Technical Specifications

Electrical Type	<b>Capacitor Start Induction Run</b>	Starting Method	<b>Across The Line</b>
Poles	<b>4</b>	Rotation	<b>Selective Counterclockwise</b>
Mounting	<b>Resilient Base</b>	Motor Orientation	<b>HORIZONTAL</b>
Drive End Bearing	<b>BALL</b>	Opp Drive End Bearing	<b>BALL</b>
Frame Material	<b>Rolled Steel</b>	Shaft Type	<b>NEMA 56</b>
Overall Length	<b>11.81 in</b>	Frame Length	<b>7.00 in</b>
Shaft Diameter	<b>0.625 in</b>	Shaft Extension	<b>1.88 in</b>
Assembly/Box Mounting	<b>F1 ONLY</b>		
Outline Drawing	<b>031641-700</b>	Connection Diagram	<b>005003.52</b>

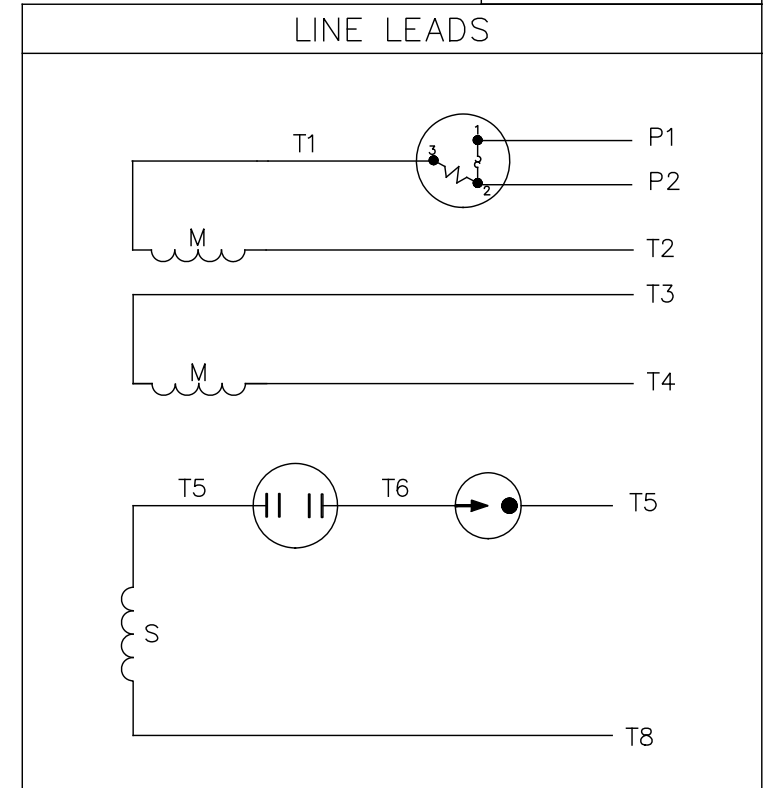
**This is an uncontrolled document once printed or downloaded and is subject to change without notice. Date Created: 02/14/2019**

031641




				TOLERANCES UNLESS OTHERWISE SPECIFIED			<b>LEESON ELECTRIC CORPORATION</b>		
				DEC.	INCHES	METRIC	DRAWN	PG 7/25/01	TITLE
				.X	±.1	±2.5	APPR.		OUTLINE - S56 FRAME RESILIENT MOUNT - DRIP PROOF
A				.XX	±.03	±.76	R.F.P.		MAT'L.
UPDATED WITH GROUND SCREW, OUTSIDE COVER & EFF DECAL				.XXX	±.005	±.127	SCALE	1=2	1 PHASE
NO.	REVISION	BY & DATE	CH'K'D.	.XXXX	±.0005	±.0127	REF.	030485	FINISH
THIS DRAWING IN DESIGN AND DETAIL IS OUR PROPERTY AND MUST NOT BE USED EXCEPT IN CONNECTION WITH OUR WORK ALL RIGHTS OF DESIGN AND INVENTION ARE RESERVED THIS IS AN ELECTRONICALLY GENERATED DOCUMENT - DO NOT SCALE THIS PRINT				ANGLES	±1/2°		REV.	A	DRAWING NO.
									031641

VIEW FROM OUTSIDE OF MOTOR AT SWITCH END.



	ROTATION FACING LEAD END	L1	L2	JOIN	INSULATE SEPARATELY
HIGH VOLT	C.C.W.	P1	T4 T5	T2, T3 T8	P2
	C.W.	P1	T4 T8	T2, T3 T5	P2
LOW VOLT	C.C.W.	P1	T2, T4 T5	P2, T3 T8	--
	C.W.	P1	T2, T4 T8	P2, T3 T5	--

				TOLERANCES UNLESS SPECIFIED		 <b>Regal Beloit America, Inc.</b>		DRAWN PG 6/8/01	
				DEC.	INCHES			CHK	
				.X	±.1			APPD	
				.XX	±.01	TITLE		SCALE 1=1	
02	CHANGED CAMPANY LOGO ONLY	AS	11/08/16	.XXX	±.005	EXTERNAL WIRING DIAGRAM TYPE "C" W/PROTECTOR		REF 005003-01	
01	MOVED T5 TO "INSIDE" SWITCH TERMINAL	PG	8/2/01	CD	.XXXX ±.0005	MAT'L. DUAL VOLTAGE - DUAL ROTATION		FMF 100002	
NO.	REVISION	BY & DATE	CHK	ANG	±1/2'	FINISH DECAL - 004011		PREV	
THIS DRAWING IN DESIGN AND DETAIL IS OUR PROPERTY AND MUST NOT BE USED EXCEPT IN CONNECTION WITH OUR WORK ALL RIGHTS OF DESIGN AND INVENTION ARE RESERVED THIS IS AN ELECTRONICALLY GENERATED DOCUMENT - DO NOT SCALE THIS PRINT				RFP	CAD FILE	00500352	SIZE	DRAWING NO.	REV.
				DIST			A	005003-52	02

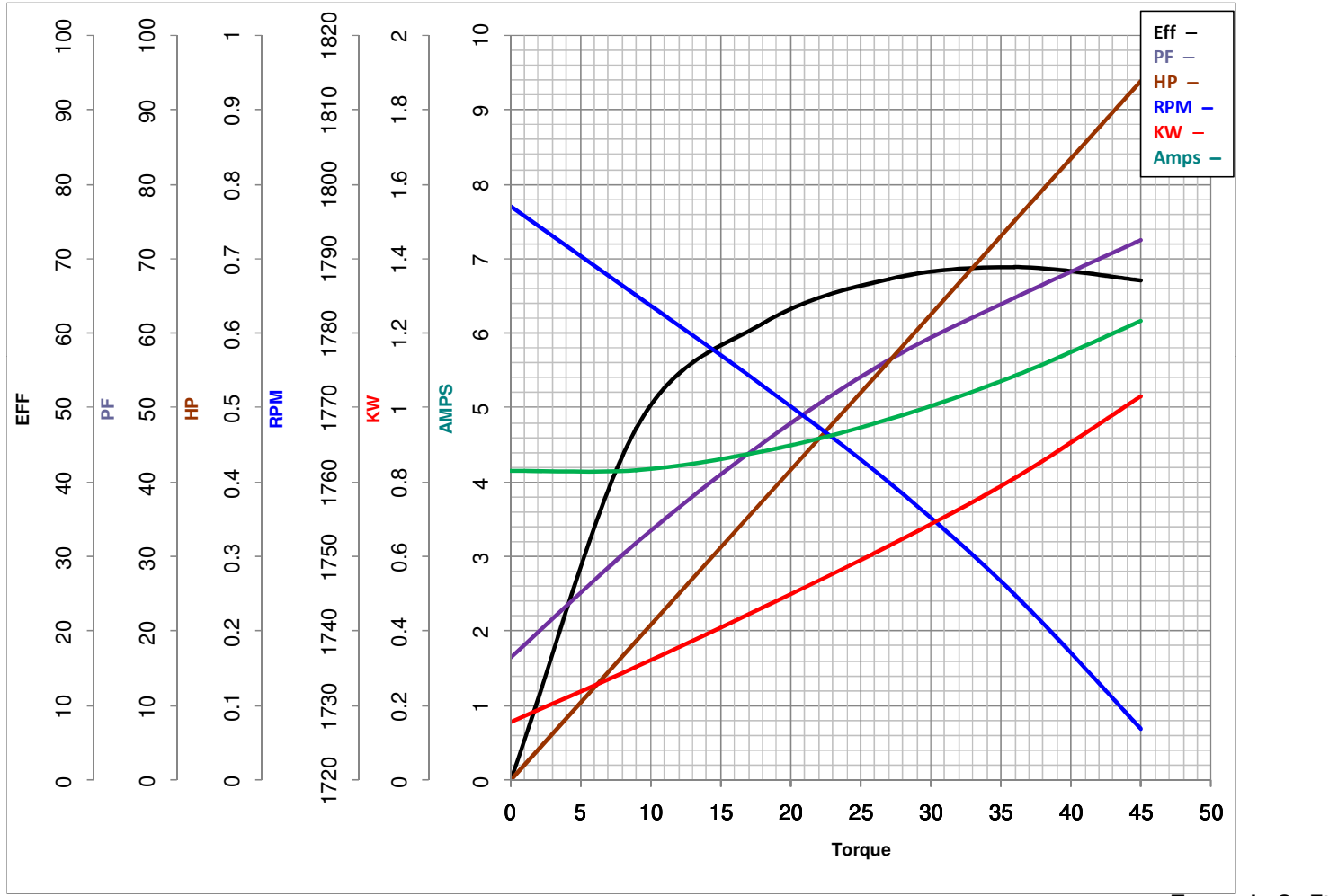


**LEESON ELECTRIC CORPORATION**  
 TYPICAL PERFORMANCE CURVE for AC MOTOR

Curve at 230 Volts      HP 0.76      PHASE 1  
60 HZ  
0.75 HP      VOLTS 115/208-230  
    HZ 60      RPM 1725

Model No 100046.00

Catalog No 100046.00



FL TORQUE	<u>36</u> Oz.Ft	FL AMPS	<u>10.8/5.3-5.4</u>
BD TORQUE	<u>83.6</u> Oz.Ft	PU TORQUE	<u>82.4</u> Oz.Ft
LR TORQUE	<u>114</u> Oz.Ft	LR AMPS	<u>27.3</u>
WINDING	CE484207-3	Date	3/22/2018