

PRODUCT INFORMATION PACKET



Model No: A4C17DJ4H

Catalog No: 100012.00

3/4HP..1725RPM.S56.DP.115/208-230V.1PH.60HZ.CONT.40C.1.25SF.RESILIENT BASE..AUTOMATIC.....

Open Drip Proof (ODP)



Regal and Leeson are trademarks of Regal Beloit Corporation or one of its affiliated companies.

©2018 Regal Beloit Corporation, All Rights Reserved. MC017097E





Nameplate Specifications

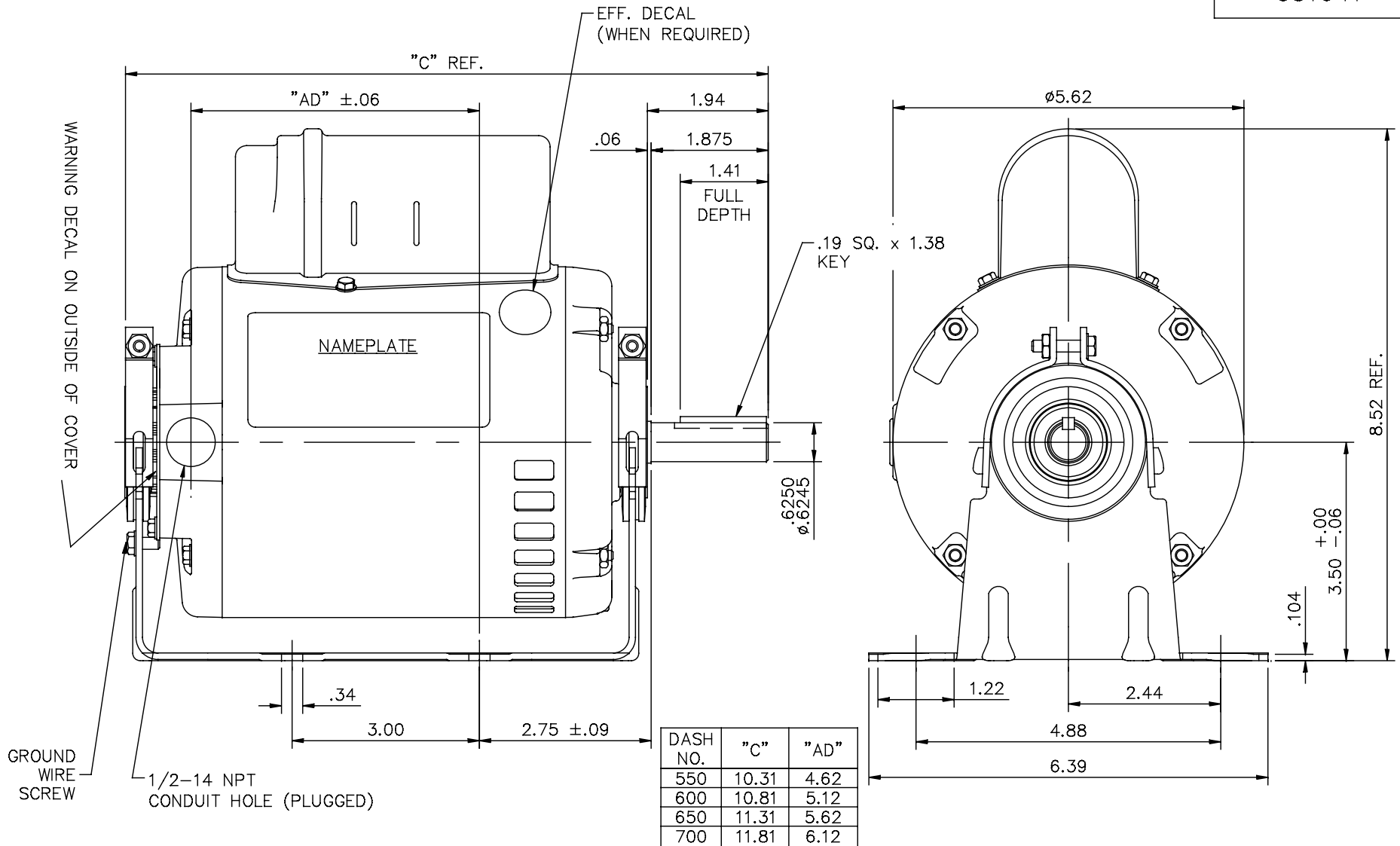
Output HP	0.75 Hp	Output KW	0.56 kW
Frequency	60 Hz	Voltage	115/208-230 V
Current	10.8/5.3-5.4 A	Speed	1725 rpm
Service Factor	1.25	Phase	1
Efficiency	70 %	Duty	Continuous
Insulation Class	B	Design Code	N
KVA Code	K	Frame	S56
Enclosure	Drip Proof	Overload Protector	Automatic
Ambient Temperature	40 °C	Drive End Bearing Size	6203
Opp Drive End Bearing Size	6203	UL	Recognized
CSA	Y	CE	N
IP Code	22		

Technical Specifications

Electrical Type	Capacitor Start Induction Run	Starting Method	Across The Line
Poles	4	Rotation	Selective Counterclockwise
Mounting	Resilient Base	Motor Orientation	HORIZONTAL
Drive End Bearing	BALL	Opp Drive End Bearing	BALL
Frame Material	Rolled Steel	Shaft Type	NEMA 56
Overall Length	11.81 in	Frame Length	7.00 in
Shaft Diameter	0.625 in	Shaft Extension	1.88 in
Assembly/Box Mounting	F1 ONLY		
Outline Drawing	031641-700	Connection Diagram	005003.52

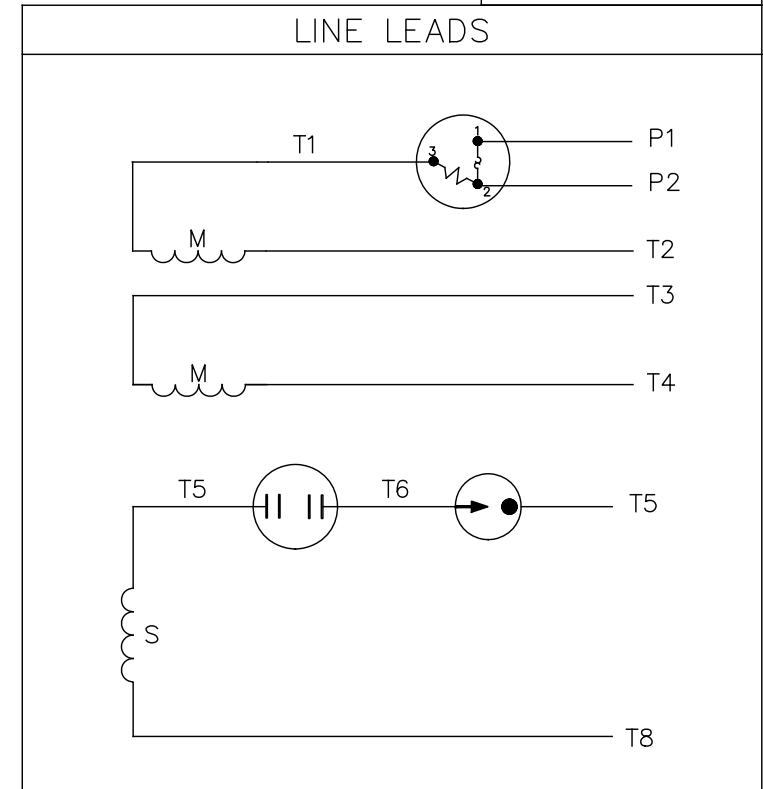
This is an uncontrolled document once printed or downloaded and is subject to change without notice. Date Created: 10/15/2018

031641




				TOLERANCES UNLESS OTHERWISE SPECIFIED			LEESON ELECTRIC CORPORATION			
				DEC.	INCHES	METRIC				
				.X	±.1	±2.5	DRAWN	PG 7/25/01	TITLE	OUTLINE - S56 FRAME
A	UPDATED WITH GROUND SCREW, OUTSIDE COVER	SL	10/09/15	JD	.XX	±.03	±.76	APPR.		RESILIENT MOUNT - DRIP PROOF
	& EFF DECAL				.XXX	±.005	±.127	R.F.P.		MAT'L
					.XXXX	±.0005	±.0127	SCALE	1=2	1 PHASE
NO.	REVISION	BY & DATE	CH'K'D.		FRACTIONS	±1/64	REF.	030485	FINISH	REV.
THIS DRAWING IN DESIGN AND DETAIL IS OUR PROPERTY AND MUST NOT BE USED EXCEPT IN CONNECTION WITH OUR WORK ALL RIGHTS OF DESIGN AND INVENTION ARE RESERVED THIS IS AN ELECTRONICALLY GENERATED DOCUMENT - DO NOT SCALE THIS PRINT					ANGLES	±1/2°	FMF			A
										DRAWING NO.
										031641

VIEW FROM OUTSIDE OF MOTOR AT SWITCH END.



	ROTATION FACING LEAD END	L1	L2	JOIN	INSULATE SEPARATELY
HIGH VOLT	C.C.W.	P1	T4 T5	T2, T3 T8	P2
	C.W.	P1	T4 T8	T2, T3 T5	P2
LOW VOLT	C.C.W.	P1	T2, T4 T5	P2, T3 T8	--
	C.W.	P1	T2, T4 T8	P2, T3 T5	--

		TOLERANCES UNLESS SPECIFIED		 Regal Beloit America, Inc.		DRAWN PG 6/8/01			
		DEC.	INCHES			CHK			
		.X	±.1	APPD		SCALE 1=1			
		.XX	±.01	TITLE		REF 005003-01			
02	CHANGED CAMPANY LOGO ONLY	AS	11/08/16	.XXX	±.005	MAT'L. DUAL VOLTAGE - DUAL ROTATION			
01	MOVED T5 TO "INSIDE" SWITCH TERMINAL	PG	8/2/01	CD	.XXXX	±.0005	FINISH DECAL - 004011		
NO.	REVISION	BY & DATE	CHK	ANG	±1/2'	PREV			
THIS DRAWING IN DESIGN AND DETAIL IS OUR PROPERTY AND MUST NOT BE USED EXCEPT IN CONNECTION WITH OUR WORK ALL RIGHTS OF DESIGN AND INVENTION ARE RESERVED THIS IS AN ELECTRONICALLY GENERATED DOCUMENT - DO NOT SCALE THIS PRINT				RFP	CAD FILE	00500352	SIZE A	DRAWING NO. 005003-52	REV. 02
				DIST					

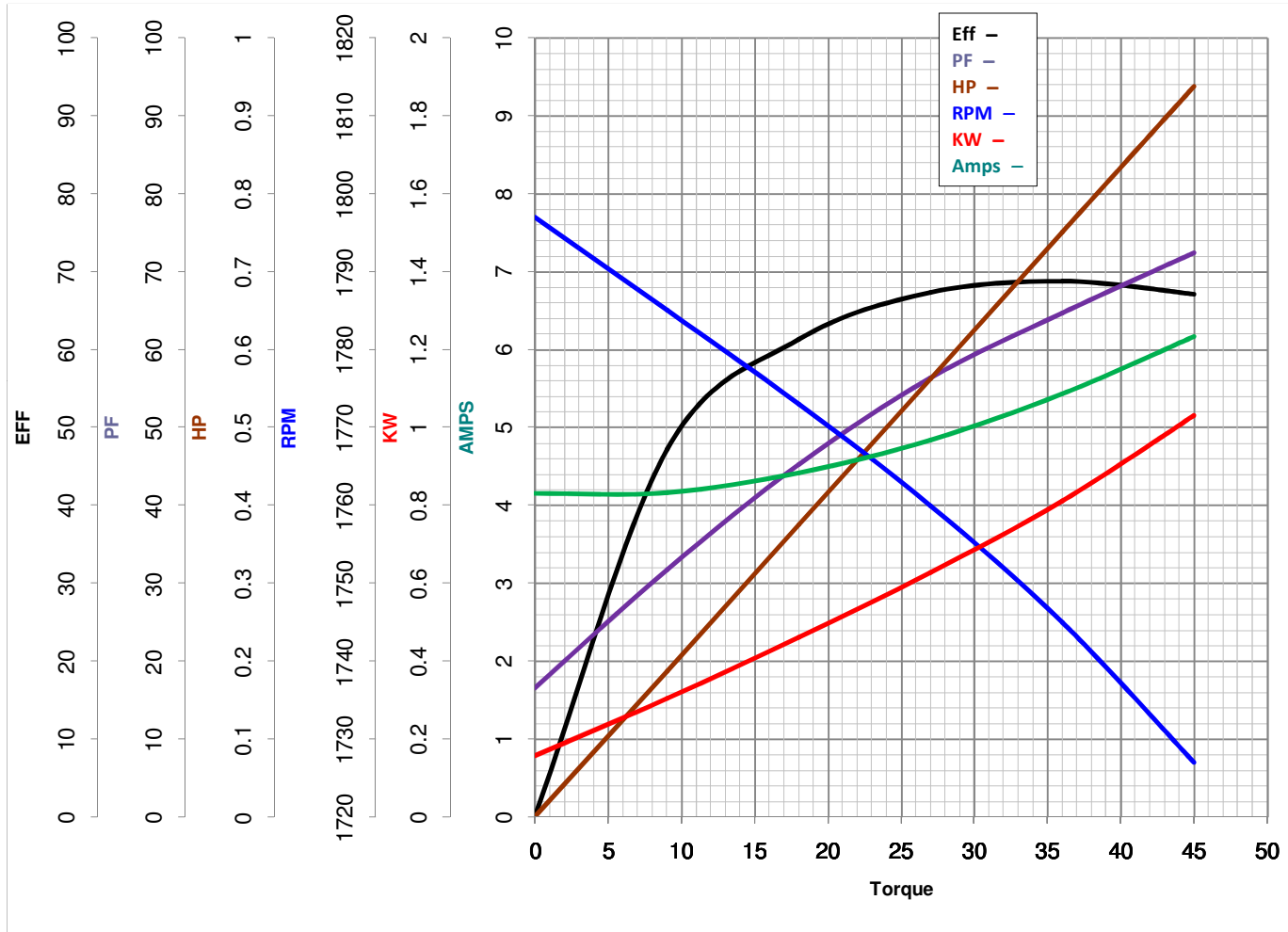


LEESON ELECTRIC CORPORATION
 TYPICAL PERFORMANCE CURVE for AC MOTOR

Model No 100012.00

Catalog No 100012.00

Curve at 230 Volts HP 0.76 PHASE 1
60 HZ
0.75 HP VOLTS 115/208-230
 HZ 60 RPM 1725



Torque in Oz.Ft

FL TORQUE 36 Oz.Ft
 BD TORQUE 83.6 Oz.Ft
 LR TORQUE 114 Oz.Ft

FL AMPS 10.8/5.3-5.4
 PU TORQUE 82.4 Oz.Ft
 LR AMPS 27.3

WINDING CE484207-3

Date 3/27/2018