

# PRODUCT INFORMATION PACKET



Model No: C42D18FK7A

Catalog No: 098382.00

1/2HP.1800RPM.LSS56C.TEFC.48V.CONT.40C.1.0SF.RIGID C.DC NEMA LOW VOLTAGE.C42D18FK7A  
Low Voltage



Regal and Leeson are trademarks of Regal Beloit Corporation or one of its affiliated companies.

©2018 Regal Beloit Corporation, All Rights Reserved. MC017097E





### Nameplate Specifications

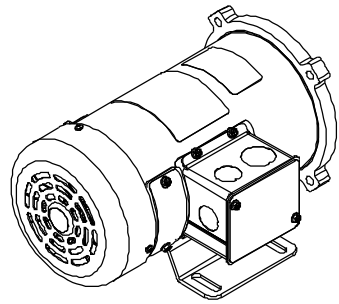
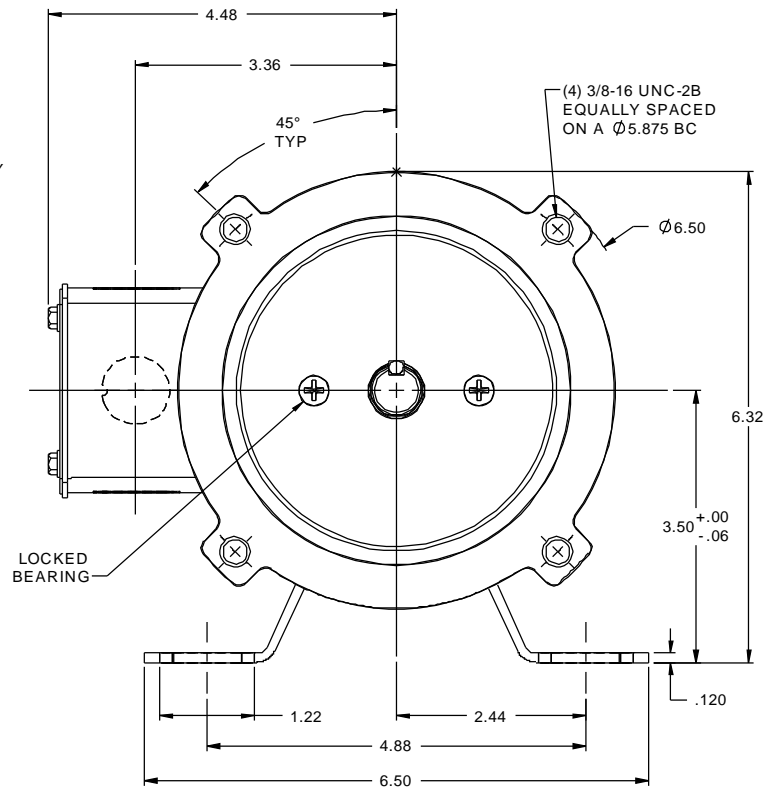
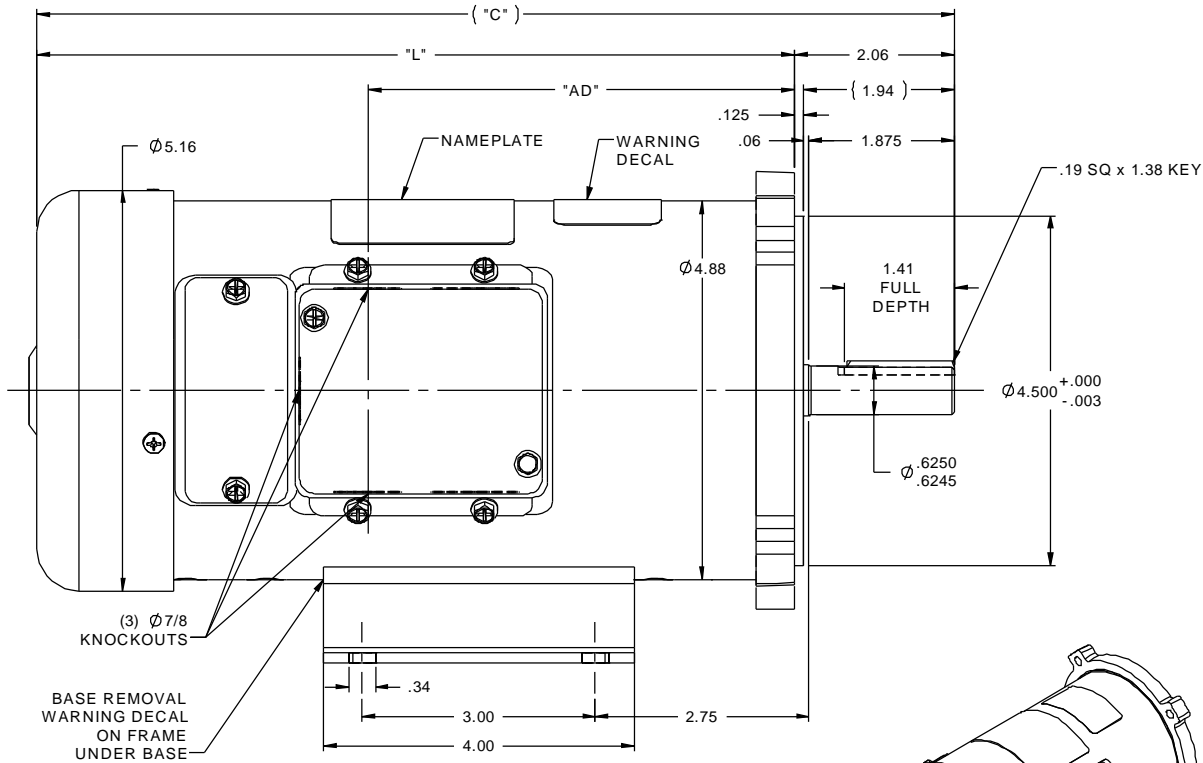
Output HP	<b>0.50 Hp</b>	Output KW	<b>0.37 kW</b>
Voltage	<b>48 V</b>	Current	<b>11.0 A</b>
Speed	<b>1800 rpm</b>	Service Factor	<b>1</b>
Efficiency	<b>76.5 %</b>	Duty	<b>Continuous</b>
Insulation Class	<b>F</b>	Frame	<b>LSS56C</b>
Enclosure	<b>Totally Enclosed Fan Cooled</b>	Overload Protector	<b>No</b>
Ambient Temperature	<b>40 °C</b>	Drive End Bearing Size	<b>6203</b>
Opp Drive End Bearing Size	<b>6203</b>	UL	<b>Recognized</b>
CSA	<b>Y</b>	CE	<b>N</b>

### Technical Specifications

Rotation	<b>Reversible</b>	Mounting	<b>Rigid C base</b>
Overall Length	<b>10.81 in</b>	Frame Length	<b>6.50 in</b>
Shaft Diameter	<b>0.625 in</b>	Shaft Extension	<b>2.06 in</b>
Outline Drawing	<b>027620-098382</b>		

This is an uncontrolled document once printed or downloaded and is subject to change without notice. Date Created: 10/15/2018

RBC PROPRIETARY AND CONFIDENTIAL INFORMATION  
 This document is the property of REGAL BELOIT CORPORATION ("RBC") including its subsidiaries and divisions and contains proprietary information of RBC. This document is loaned on the express condition that neither it nor the information contained therein shall be disclosed to others without the express written consent of RBC, and that the information shall be used by the recipient only as approved expressly by RBC. This document shall be returned to RBC upon its request. This document may be subject to certain restrictions under U.S. export control laws and regulations.



- NOTES:  
 1) MAXIMUM FACE RUNOUT .004 T.I.R.  
 2) MAXIMUM PILOT ECCENTRICITY .004 T.I.R.  
 3) PERMISSIBLE SHAFT RUNOUT .002 T.I.R.  
 4) GASKETS THROUGHOUT.

098382.00	10.81	8.75	4.49	48	1/2	1800
098381.00	10.81	8.75	4.49	36	1/2	1800
098069.00	13.81	11.75	7.49	180	3/4	1750
098032.00	13.81	11.75	7.49	90	3/4	1750
098010.00	11.81	9.75	5.49	180	3/4	2500
098009.00	11.81	9.75	5.49	90	3/4	2500
098008.00	11.81	9.75	5.49	180	1/2	1750
098007.00	10.81	8.75	4.49	180	1/2	2500
098006.00	10.81	8.75	4.49	90	1/2	2500
098005.00	11.31	9.25	4.99	180	1/3	1750
098004.00	11.31	9.25	4.99	90	1/3	1750
098003.00	11.31	9.25	4.99	180	1/4	1750
098002.00	10.81	8.75	4.49	90	1/4	1750
098000.00	11.81	9.75	5.49	90	1/2	1750
CATALOG No.	"C"	"L"	"AD"	VOLTS	H.P.	RPM

		TOLERANCES UNLESS SPECIFIED		LEESON		ELECTRIC MOTORS GEARMOTORS AND DRIVES		DRAWN JRA 5/11/95	
		DEC	INCHES					CHK	
		X	±.1						
08	REDRAWN IN SOLIDWORKS, MODIFIED TABLE PER NEW STANDARD	IPG	9/8/2011	XX	±.03	TITLE OUTLINE 42 FRAME DC - SS56C MOUNT			SCALE 5:8
07	ADDED FAN GUARD HOLE PLUG, ISAAC 10-4174	IPG	10/11/10	XXX	±.005	MAT'L		REF	RDOUT42DC8
NO	REVISION	BY & DATE	CHK	ANG	±1/2°	FINISH		FMF	C42D17FK1
			RFP			PREV		PAGE	OF
THIRD ANGLE PROJECTION		NETWORK FILE NAME 027620		SIZE	DRAWING NO		REV		
				B	027620		08		