

PRODUCT INFORMATION PACKET



Model No: C42D17FC31A

Catalog No: 098379.00

1/2HP.1750RPM.NSS56C.TEFC.90V.CONT.40C.1.0SF.C FACE.DC NEMA.C42D17FC31A
SCR



Regal and Leeson are trademarks of Regal Beloit Corporation or one of its affiliated companies.

©2018 Regal Beloit Corporation, All Rights Reserved. MC017097E





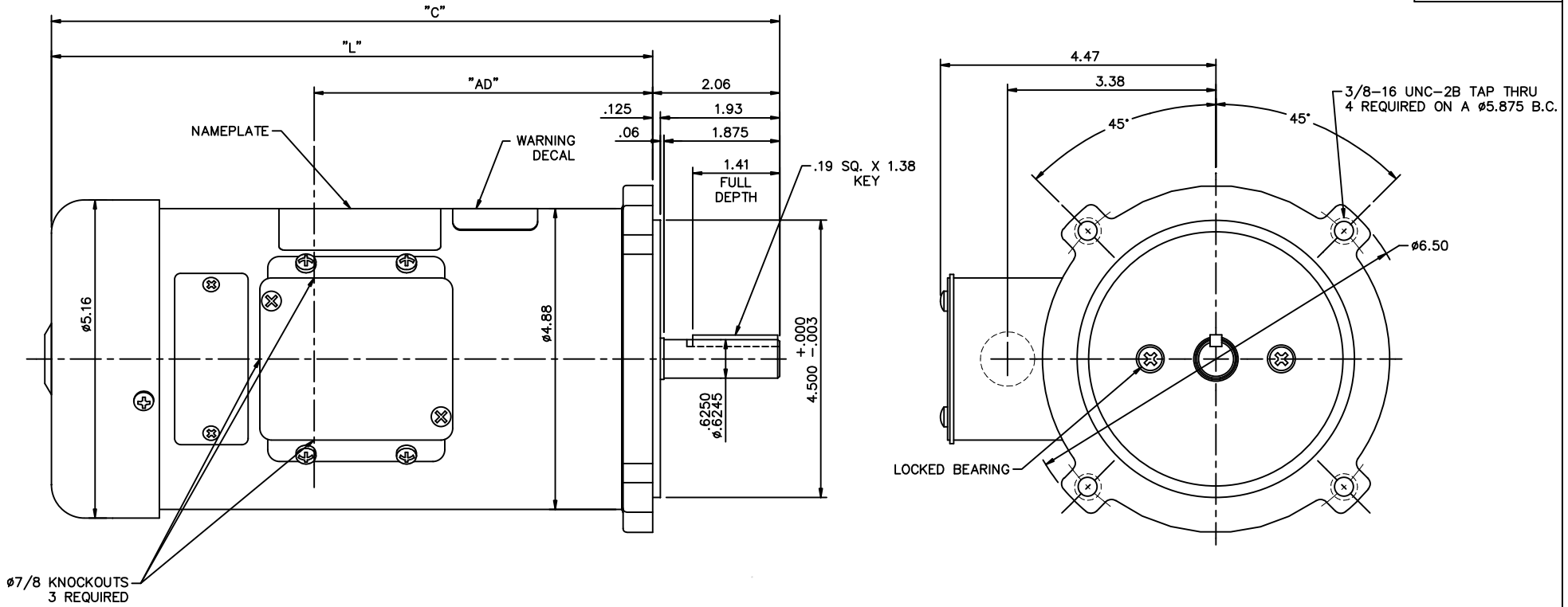
Nameplate Specifications

| | | | |
|----------------------------|-----------------------------|------------------------|------------|
| Output HP | 0.50 Hp | Output KW | 0.37 kW |
| Voltage | 90 V | Current | 5.0 A |
| Speed | 1750 rpm | Service Factor | 1 |
| Efficiency | 81.4 % | Duty | Continuous |
| Insulation Class | F | Frame | NSS56C |
| Enclosure | Totally Enclosed Fan Cooled | Overload Protector | No |
| Ambient Temperature | 40 °C | Drive End Bearing Size | 6203 |
| Opp Drive End Bearing Size | 6203 | UL | Recognized |
| CSA | Y | CE | N |

Technical Specifications

| | | | |
|-----------------|---------------|-----------------|---------|
| Rotation | Reversible | Mounting | Round |
| Overall Length | 11.81 in | Frame Length | 7.50 in |
| Shaft Diameter | 0.625 in | Shaft Extension | 2.06 in |
| Outline Drawing | 027873-NSS56C | | |

This is an uncontrolled document once printed or downloaded and is subject to change without notice. Date Created: 10/15/2018



| | | | | | | | |
|---------------|-------|-------|------|---------------|-------|-------|-------|
| RSS56C | 12.81 | 10.75 | 6.50 | | | | |
| PSS56C | 12.31 | 10.25 | 6.00 | ZSS56C | 16.31 | 14.25 | 10.00 |
| NSS56C | 11.81 | 9.75 | 5.50 | YSS56C | 15.81 | 13.75 | 9.50 |
| MSS56C | 11.31 | 9.25 | 5.00 | XSS56C | 15.31 | 13.25 | 9.00 |
| LSS56C | 10.81 | 8.75 | 4.50 | WSS56C | 14.81 | 12.75 | 8.50 |
| KSS56C | 10.31 | 8.25 | 4.00 | VSS56C | 14.31 | 12.25 | 8.00 |
| JSS56C | 9.81 | 7.75 | 3.50 | USS56C | 13.81 | 11.75 | 7.50 |
| HSS56C | 9.31 | 7.25 | 3.00 | TSS56C | 13.31 | 11.25 | 7.00 |
| FRAME DESIGN. | "C" | "L" | "AD" | FRAME DESIGN. | "C" | "L" | "AD" |

NOTES:

1. MAXIMUM FACE RUNOUT TO BE .004 T.I.R.
2. MAXIMUM PILOT ECCENTRICITY .004 T.I.R
3. PERMISSIBLE SHAFT RUNOUT .002 T.I.R.
4. GASKETS THROUGHOUT.

| | | | | TOLERANCES UNLESS SPECIFIED | | LEESON | | ELECTRIC MOTORS GEARMOTORS AND DRIVES | | DRAWN | KLS | 4/15/05 |
|--|---|-----------|----------|-----------------------------|--------|---------------------------|--------|---------------------------------------|------|-------------|-----------|---------|
| | | | | DEC. | INCHES | | | | | CHK | | |
| 02 | ADDED FAN GUARD HOLE PLUG, ISAAC 10-4174 | IPG | 10/15/10 | .XX | ±.03 | TITLE | | OUTLINE | | SCALE | 5=8 | |
| 01 | CHANGED TO MYLAR NAMEPLATE PER ISAAC 08-2458. | RPB | 9/8/08 | BC | .XXX | 42 FRAME DC - SS56C MOUNT | | | | REF | 027620 | |
| 00 | RELEASED: REF 027620.00, REMOVED BASE | KLS | 4/18/05 | IPG | .XXXX | MAT'L | | | | FMF | 098377.00 | |
| NO. | REVISION | BY & DATE | | CHK | ANG | FINISH | | | | PREV | | |
| THIS DRAWING IN DESIGN AND DETAIL IS OUR PROPERTY AND MUST NOT BE USED EXCEPT IN CONNECTION WITH OUR WORK. ALL RIGHTS OF DESIGN AND INVENTION ARE RESERVED. THIS IS AN ELECTRONICALLY GENERATED DOCUMENT - DO NOT SCALE THIS PRINT | | | | RFP | | CAD FILE | 027873 | | SIZE | DRAWING NO. | | REV. |
| | | | | DIST | | | | | B | 027873 | | 02 |