

PRODUCT INFORMATION PACKET



Model No: C42D17FC29A

Catalog No: 098377.00

1/4HP.1750RPM.LSS56C.TEFC.90V.CONT.40C.1.0SF.C FACE.DC NEMA.C42D17FC29A
SCR



Regal and Leeson are trademarks of Regal Beloit Corporation or one of its affiliated companies.

©2018 Regal Beloit Corporation, All Rights Reserved. MC017097E





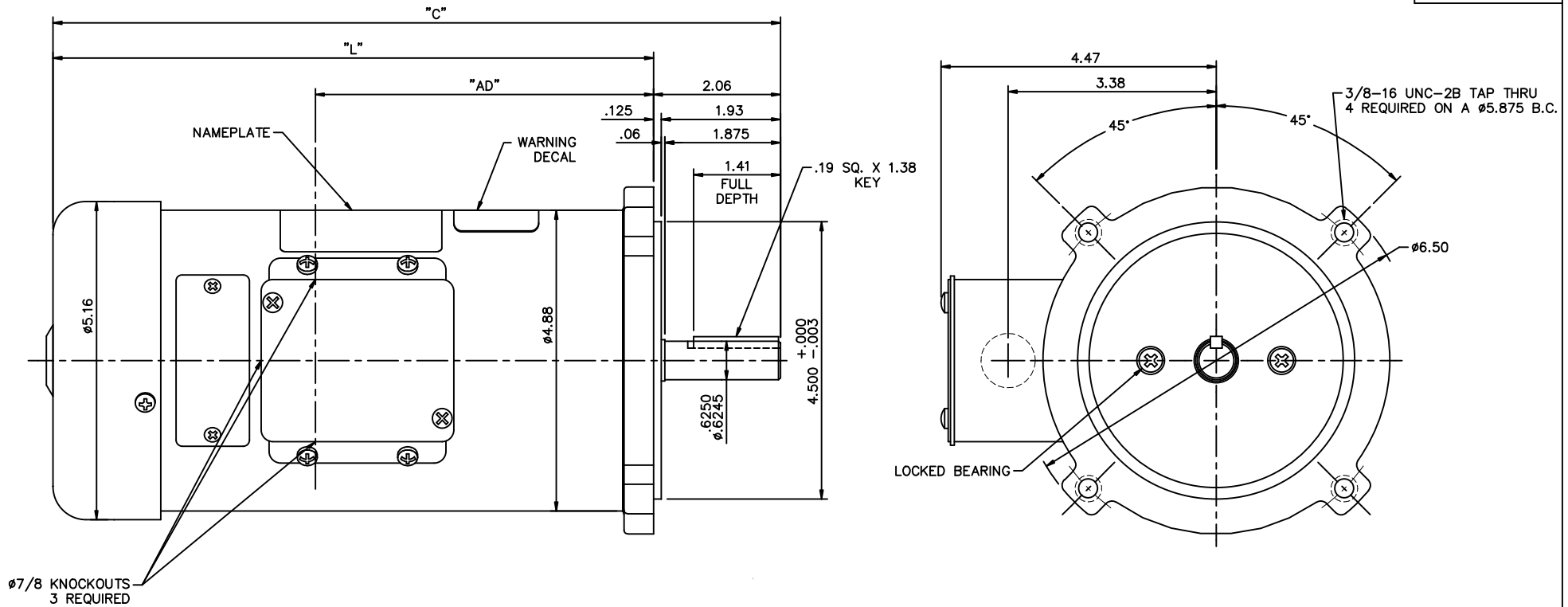
Nameplate Specifications

Output HP	0.25 Hp	Output KW	0.19 kW
Voltage	90 V	Current	2.5 A
Speed	1750 rpm	Service Factor	1
Efficiency	78.5 %	Duty	Continuous
Insulation Class	F	Frame	LSS56C
Enclosure	Totally Enclosed Fan Cooled	Overload Protector	No
Ambient Temperature	40 °C	Drive End Bearing Size	6203
Opp Drive End Bearing Size	6203	UL	Recognized
CSA	Y	CE	N

Technical Specifications

Rotation	Reversible	Mounting	Round
Overall Length	10.81 in	Frame Length	6.50 in
Shaft Diameter	0.625 in	Shaft Extension	2.06 in
Outline Drawing	027873-LSS56C		

This is an uncontrolled document once printed or downloaded and is subject to change without notice. Date Created: 10/15/2018



RSS56C	12.81	10.75	6.50				
PSS56C	12.31	10.25	6.00	ZSS56C	16.31	14.25	10.00
NSS56C	11.81	9.75	5.50	YSS56C	15.81	13.75	9.50
MSS56C	11.31	9.25	5.00	XSS56C	15.31	13.25	9.00
LSS56C	10.81	8.75	4.50	WSS56C	14.81	12.75	8.50
KSS56C	10.31	8.25	4.00	VSS56C	14.31	12.25	8.00
JSS56C	9.81	7.75	3.50	USS56C	13.81	11.75	7.50
HSS56C	9.31	7.25	3.00	TSS56C	13.31	11.25	7.00
FRAME DESIGN.	"C"	"L"	"AD"	FRAME DESIGN.	"C"	"L"	"AD"

NOTES:

1. MAXIMUM FACE RUNOUT TO BE .004 T.I.R.
2. MAXIMUM PILOT ECCENTRICITY .004 T.I.R
3. PERMISSIBLE SHAFT RUNOUT .002 T.I.R.
4. GASKETS THROUGHOUT.

				TOLERANCES UNLESS SPECIFIED		LEESON		ELECTRIC MOTORS GEARMOTORS AND DRIVES		DRAWN	KLS	4/15/05
				DEC.	INCHES					CHK		
				.X	±.1					APPD		
02	ADDED FAN GUARD HOLE PLUG, ISAAC 10-4174	IPG	10/15/10	.XX	±.03	TITLE		OUTLINE		SCALE	5=8	
01	CHANGED TO MYLAR NAMEPLATE PER ISAAC 08-2458.	RPB	9/8/08	BC	.XXX	42 FRAME DC - SS56C MOUNT				REF	027620	
00	RELEASED: REF 027620.00, REMOVED BASE	KLS	4/18/05	IPG	.XXXX	MAT'L				FMF	098377.00	
NO.	REVISION	BY & DATE		CHK	ANG	FINISH				PREV		
THIS DRAWING IN DESIGN AND DETAIL IS OUR PROPERTY AND MUST NOT BE USED EXCEPT IN CONNECTION WITH OUR WORK. ALL RIGHTS OF DESIGN AND INVENTION ARE RESERVED. THIS IS AN ELECTRONICALLY GENERATED DOCUMENT - DO NOT SCALE THIS PRINT				RFP		CAD FILE	027873		SIZE	DRAWING NO.		REV.
				DIST					B	027873		02