

# PRODUCT INFORMATION PACKET



Model No: CI42D17FT7B

Catalog No: 098067.00

...37KW-1/2HP..1800RPM.71.IP54.24V...S1.40C.1,0SF.SPECIAL.CI42D17FT7B.....

Metric Motors



Regal and Leeson are trademarks of Regal Beloit Corporation or one of its affiliated companies.

©2018 Regal Beloit Corporation, All Rights Reserved. MC017097E





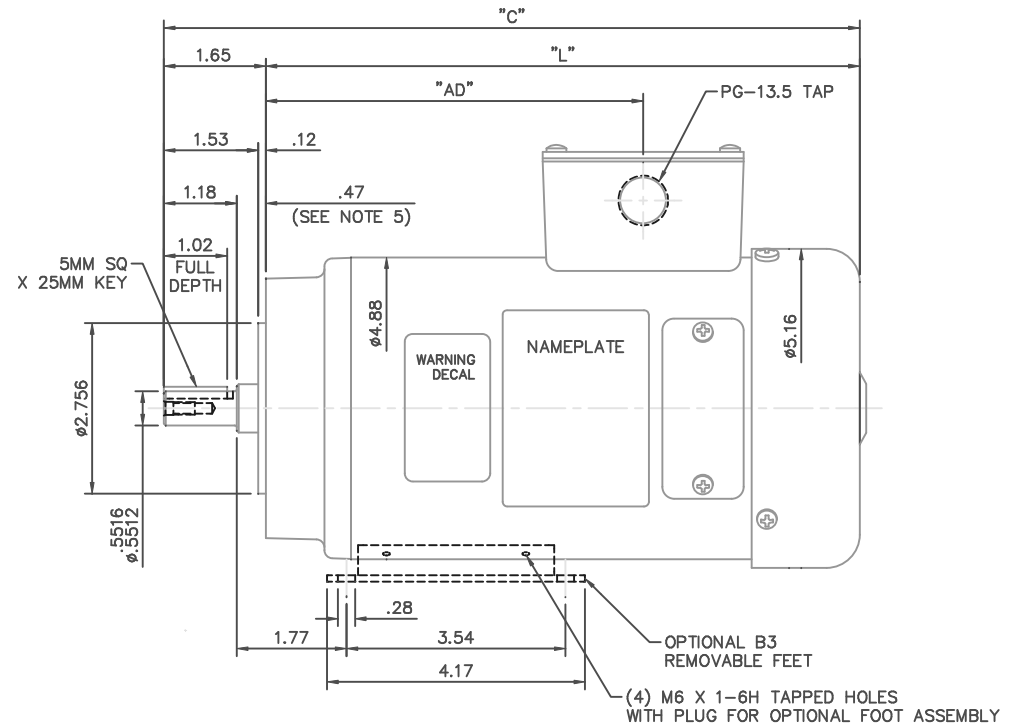
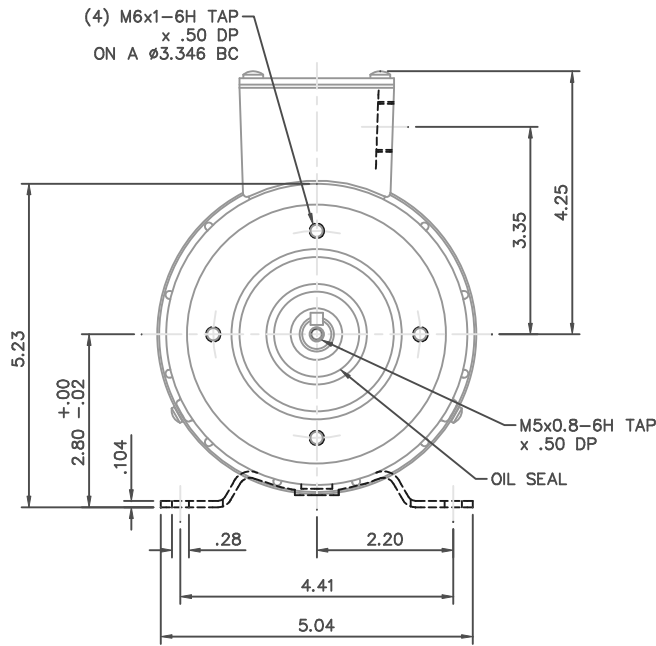
### Nameplate Specifications

Output KW	<b>0.37 kW</b>	Voltage	<b>24 V</b>
Current	<b>20.0 A</b>	Speed	<b>1800 rpm</b>
Service Factor	<b>1</b>	Efficiency	<b>76.9 %</b>
Duty	<b>S1</b>	Insulation Class	<b>F</b>
Frame	<b>71</b>	Enclosure	<b>IP54</b>
Overload Protector	<b>No</b>	Ambient Temperature	<b>40 °C</b>
Drive End Bearing Size	<b>6204</b>	Opp Drive End Bearing Size	<b>6203</b>
UL	<b>Recognized</b>	CSA	<b>Y</b>
CE	<b>N</b>		

### Technical Specifications

Rotation	<b>Reversible</b>	Mounting	<b>Special</b>
Overall Length	<b>12.27 in</b>	Frame Length	<b>7.50 in</b>
Shaft Diameter	<b>0.562 in</b>	Shaft Extension	<b>1.65 in</b>
Outline Drawing	<b>027790-N71</b>		

**This is an uncontrolled document once printed or downloaded and is subject to change without notice. Date Created: 10/15/2018**



- NOTES:
1. MAXIMUM FACE RUNOUT TO BE .004 T.I.R.
  2. MAXIMUM PILOT ECCENTRICITY .004 T.I.R
  3. PERMISSIBLE SHAFT RUNOUT .002 T.I.R.
  4. GASKETS THROUGHOUT.
  5. DIMENSION IS SPACED PROVIDED FOR A BOLT-ON B5 OR B14 ADAPTER KIT FOR THE IEC 71 FRAME.

N71	12.27	10.62	7.12	W71	15.27	13.62	10.12
M71	11.77	10.12	6.62	V71	14.77	13.12	9.62
L71	11.27	9.62	6.12	U71	14.27	12.62	9.12
K71	10.77	9.12	5.62	T71	13.77	12.12	8.62
J71	10.27	8.62	5.12	R71	13.27	11.62	8.12
H71	9.77	8.12	4.62	P71	12.77	11.12	7.62
FRAME	"C"	"L"	"AD"	FRAME	"C"	"L"	"AD"

NO.	REVISION	BY & DATE	CHK	ANG	FINISH	ELECTRIC MOTORS GEARMOTORS AND DRIVES			DRAWN	IPG 7/23/01
						DEC.	TOLERANCES UNLESS SPECIFIED	INCHES		
04	CHANGED TO MYLAR NAMEPLATE PER ISAAC 08-2461.	RPB 12/18/08	BC	.X	±.1	LEESON			CHK	SAD 7/23/01
03	FIXED FAN SCREW ORIENTATION PER ECR 82153	BPW 04/21/03	SAD	.XX	±.03	TITLE			APPD	SAD 7/23/01
02	ADDED MILLIMETERS TO KEY DIM ECR 78384	SAD 11/9/01	IPG	.XXX	±.005	OITLINE			SCALE	1=2
01	REDRAWN AND DIM PER ECR 73376 EFF. IMMED.	CRK 9/12/01	CRK	.XXXX	±.0005	42 FRAME DC - IEC 71			REF	027543.00
						MAT'L			FMF	
						FINISH			PREV	
THIS DRAWING IN DESIGN AND DETAIL IS OUR PROPERTY AND MUST NOT BE USED EXCEPT IN CONNECTION WITH OUR WORK ALL RIGHTS OF DESIGN AND INVENTION ARE RESERVED THIS IS AN ELECTRONICALLY GENERATED DOCUMENT - DO NOT SCALE THIS PRINT						RFP	CAD FILE	027790	SIZE	DRAWING NO.
						DIST			B	027790.00
										REV.
										04