

# PRODUCT INFORMATION PACKET



Model No: CI42D34FT2C

Catalog No: 098017.00

...55KW-3/4HP..3000RPM.71.IP54.180V...S1.40C.1.0SF.SPECIAL.CI42D34FT2C.....DC METRIC.....

Metric Motors



Regal and Leeson are trademarks of Regal Beloit Corporation or one of its affiliated companies.

©2018 Regal Beloit Corporation, All Rights Reserved. MC017097E





### Nameplate Specifications

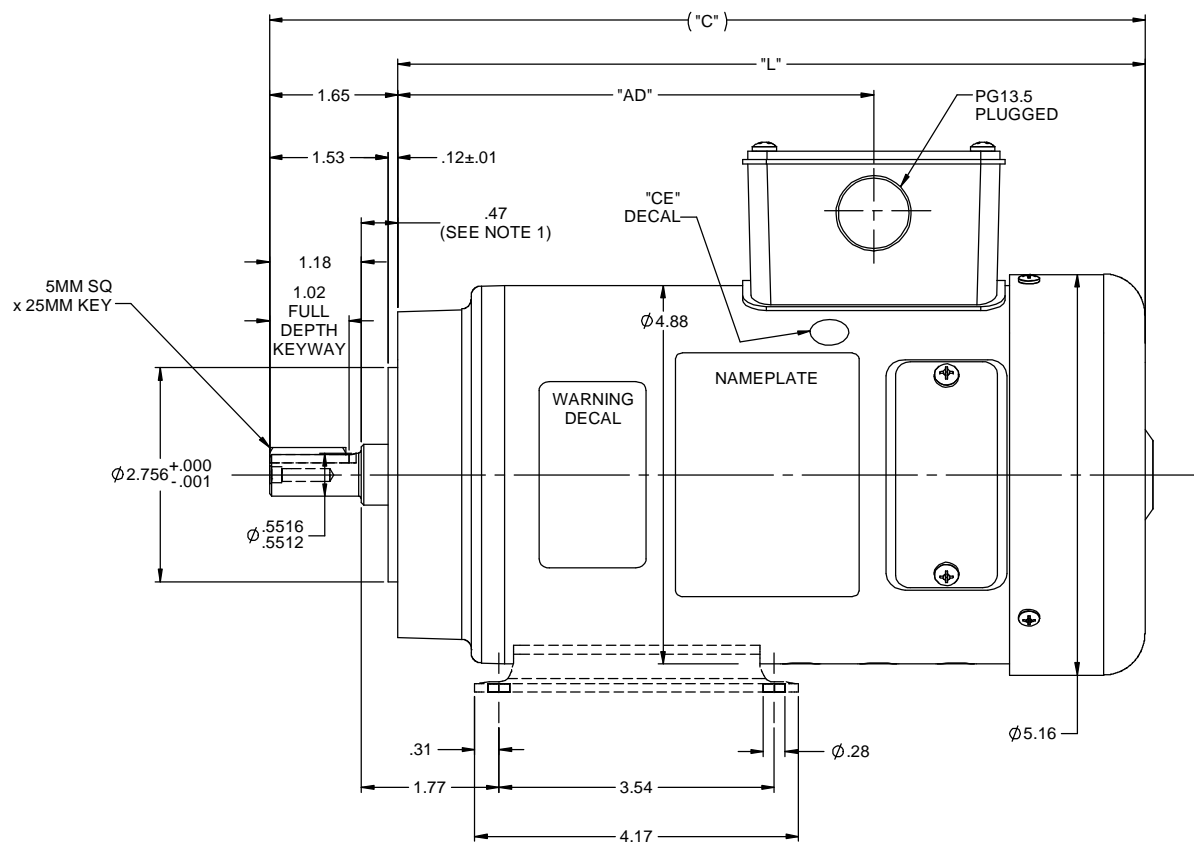
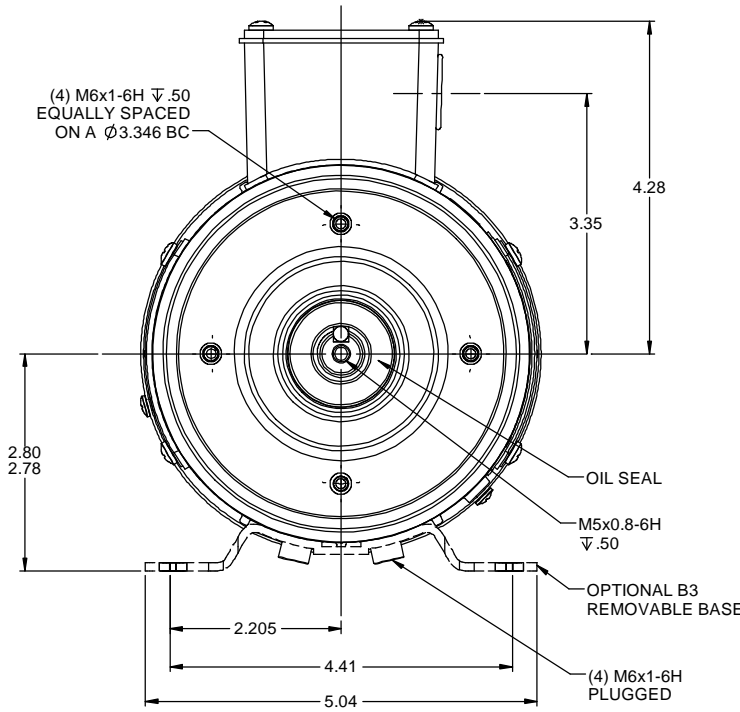
Output KW	<b>0.75 kW</b>	Voltage	<b>180 V</b>
Current	<b>4.6 A</b>	Speed	<b>3000 rpm</b>
Service Factor	<b>1</b>	Efficiency	<b>74 %</b>
Duty	<b>S1</b>	Insulation Class	<b>F</b>
Frame	<b>71</b>	Enclosure	<b>IP54</b>
Overload Protector	<b>No</b>	Ambient Temperature	<b>40 °C</b>
Drive End Bearing Size	<b>6204</b>	Opp Drive End Bearing Size	<b>6203</b>
UL	<b>Recognized</b>	CSA	<b>Y</b>
CE	<b>Y</b>		

### Technical Specifications

Rotation	<b>Reversible</b>	Mounting	<b>Special</b>
Overall Length	<b>11.78 in</b>	Frame Length	<b>7.00 in</b>
Shaft Diameter	<b>0.562 in</b>	Shaft Extension	<b>1.65 in</b>
Outline Drawing	<b>027543-098017</b>		

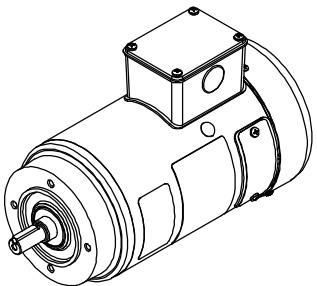
This is an uncontrolled document once printed or downloaded and is subject to change without notice. Date Created: 10/15/2018

RBC PROPRIETARY AND CONFIDENTIAL INFORMATION  
 This document is the property of REGAL BELOIT CORPORATION ("RBC") including its subsidiaries and divisions and contains proprietary information of RBC. This document is loaned on the express condition that neither it nor the information contained therein shall be disclosed to others without the express written consent of RBC, and that the information shall be used by the recipient only as approved expressly by RBC. This document shall be returned to RBC upon its request. This document may be subject to certain restrictions under U.S. export control laws and regulations.



- NOTES:  
 1) DIMENSION IS SPACE PROVIDED FOR A BOLT-ON B5 OR B14 ADAPTER KIT FOR THE IEC 71 FRAME.  
 2) MAXIMUM FACE RUNOUT TO BE .004 T.I.R.  
 3) MAXIMUM PILOT ECCENTRICITY .004 T.I.R.  
 4) PERMISSIBLE SHAFT RUNOUT .002 T.I.R.  
 5) GASKETS THROUGHOUT.

CATALOG No.	"C"	"L"	"AD"	VOLTS	K.W.	RPM
098014.00	11.28	9.63	6.13	180	.25	1800
098015.00	11.78	10.13	6.63	180	.37	1800
098016.00	10.78	9.13	5.63	180	.37	3000
098017.00	11.78	10.13	6.63	180	.55	3000



		TOLERANCES UNLESS SPECIFIED		<b>LEESON</b> ELECTRIC MOTORS GEARMOTORS AND DRIVES		DRAWN BJB 01/22/92		
		DEC	INCHES			CHK		
		X	±.1	TITLE OUTLINE 42 FRAME DC - IEC 71		APPR RPB 01/22/92		
--- REDRAWN IN SOLIDWORKS		XX	±.03			SCALE 5:8		
05 CHANGED TO MYLAR NAMEPLATE PER ISAAC 08-24-11		XXX	±.005			REF		
NO REVISION		BC	±.0005	MATL	FMF			
THIRD ANGLE PROJECTION		BY & DATE	CHK	ANG ±1/2°	FINISH	PAGE OF		
		RFP	PREV	SIZE	DRAWING NO		REV	
		NETWORK FILE NAME 027543		<b>B</b>	<b>027543</b>		---	