

PRODUCT INFORMATION PACKET



Model No: C42T17FZ29A

Catalog No: 096066.00

1/4HP..29RPM.42Y.TEFC.230/460V.3PH.60HZ.CONT.40C.1.0SF.SPECIAL.C42T17FZ29A.PE350....INVERTER RATED.....

PE350 Series



Regal and Leeson are trademarks of Regal Beloit Corporation or one of its affiliated companies.

©2018 Regal Beloit Corporation, All Rights Reserved. MC017097E



Product Information Packet: Model No: C42T17FZ29A, Catalog No:096066.00
 ..1/4HP..29RPM.42Y.TEFC.230/460V.3PH.60HZ.CONT.40C.1.0SF.SPECIAL.C42T17FZ29A.PE350....INVERTER
 RATED.....



Nameplate Specifications

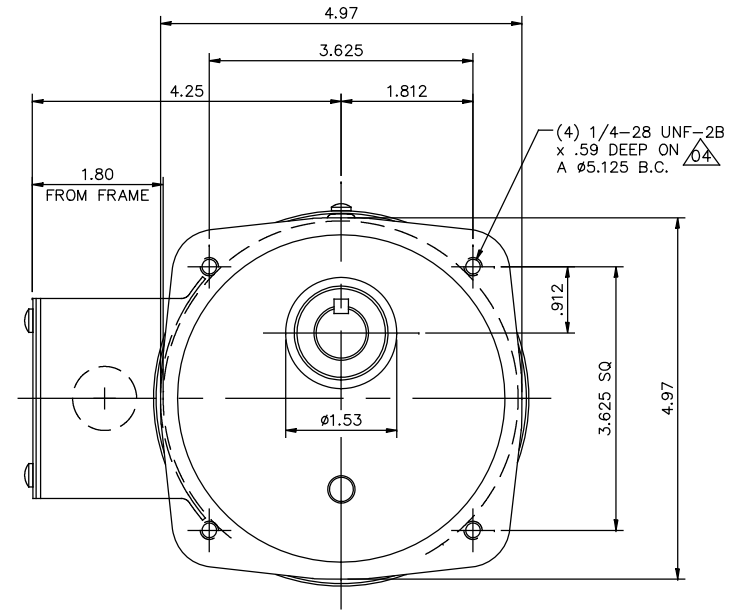
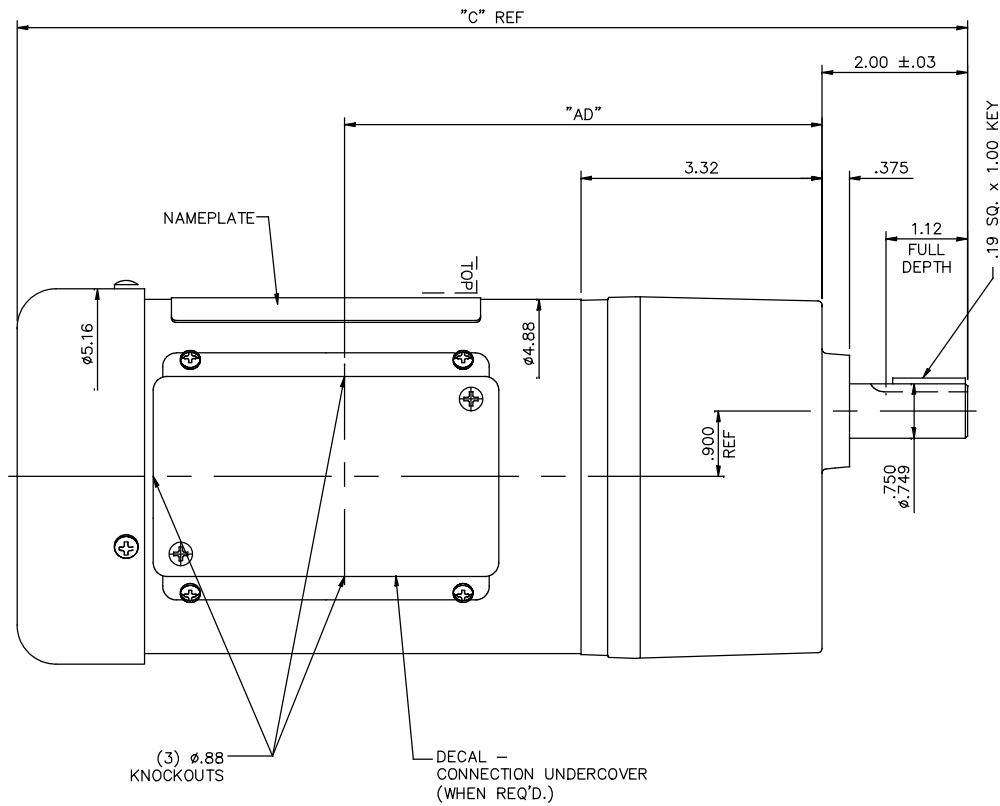
Output HP	0.25 Hp	Output KW	0.19 kW
Frequency	60 Hz	Voltage	208-230/460 V
Current	1.2/0.60 A	Speed	29 rpm
Service Factor	1	Phase	3
Duty	Continuous	Insulation Class	F
KVA Code	L	Frame	42Y
Enclosure	Totally Enclosed Fan Cooled	Overload Protector	No
Ambient Temperature	40 °C	Drive End Bearing Size	6203
Opp Drive End Bearing Size	6201	UL	Recognized
CSA	Y	CE	N

Technical Specifications

Rotation	Reversible	Mounting	Special
Shaft Type	Parallel	Overall Length	13.07 in
Frame Length	6.00 in	Shaft Diameter	0.750 in
Shaft Extension	1.625 in		
Outline Drawing	027874-096066	Connection Diagram	005010.01

This is an uncontrolled document once printed or downloaded and is subject to change without notice. Date Created: 10/15/2018

027874



CATALOG NUMBER	OUTPUT RPM	FULL LOAD TORQUE LB.-IN.	INPUT HP	OVERHUNG LOAD LBS.	RATIO TO 1	"C"	"AD"
096065.00	9	341	1/6	327	180	13.07	6.56
096066.00	29	300	1/4	327	58	13.07	6.56
096067.00	58	244	1/4	327	30	13.07	6.56
096068.00	85	165	1/4	327	20	13.07	6.56
096069.00	173	92	1/4	327	10	13.07	6.56
096070.00	345	50	1/4	327	5	13.07	6.56

NO.	REVISION	BY & DATE	CHK	ANG	±1/2"	FINISH	PREV
04	THREAD DEPTH WAS .63"	JD 06/06/17					
03	ADDED 096065.00 TO PRINT	RDW 4/18/07	KH	.X	±.1		
02	096070.00 RPM WAS 58, TORQUE WAS 244 & RATIO WAS 30	RDW 12/14/05	SW	.XX	±.03		
01	ADDED PERFORMANCE ATTRIBUTES TABLE	RLW 7/7/05		.XXX	±.005		
				.XXXX	±.0005		

THIS DRAWING IN DESIGN AND DETAIL IS OUR PROPERTY AND MUST NOT BE USED EXCEPT IN CONNECTION WITH OUR WORK. ALL RIGHTS OF DESIGN AND INVENTION ARE RESERVED. THIS IS AN ELECTRONICALLY GENERATED DOCUMENT - DO NOT SCALE THIS PRINT		RFP	CAD FILE	027874	SIZE	DRAWING NO.	REV.
		DIST	B	027874		04	

GASKETS THROUGHOUT



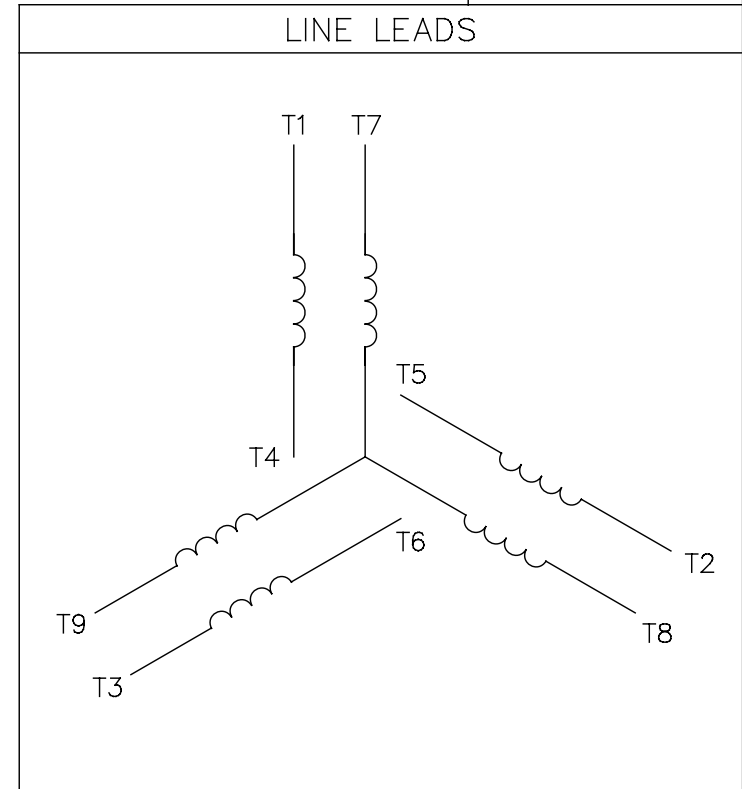
ELECTRIC MOTORS
GEARMOTORS
AND DRIVES

DRAWN	LST 5/17/05
CHK	RW 5/17/05
APPD	KH 5/17/05
SCALE	5=8
REF	PR040182
FMF	
PREV	

TITLE
OUTLINE - 42Y FRAME
TEFC - PE350 GEARMOTOR

005010-01

VIEW FROM OUTSIDE OF MOTOR AT SWITCH END.



VOLTAGE	L1	L2	L3	JOIN & INSULATE
HIGH	T1	T2	T3	(T4,T7) (T5,T8) (T6,T9)
LOW	T1,T7	T2,T8	T3,T9	T4,T5,T6

				TOLERANCES UNLESS SPECIFIED		REGAL ™ Regal Beloit America, Inc.		DRAWN RDW 04/12/02			
				DEC.	INCHES			CHK			
				.X	±.1			APPD			
				.XX	±.01			SCALE 1=1			
				.XXX	±.005	TITLE		REF FIG.2-51			
A	UPDATED TO REGAL LOGO		SAJ 06/26/15	AJY .XXXX	±.0005	MAT'L.		FMF			
NO.	REVISION		BY & DATE	CHK	ANG ±1/2"	FINISH		PREV			
THIS DRAWING IN DESIGN AND DETAIL IS OUR PROPERTY AND MUST NOT BE USED EXCEPT IN CONNECTION WITH OUR WORK ALL RIGHTS OF DESIGN AND INVENTION ARE RESERVED THIS IS AN ELECTRONICALLY GENERATED DOCUMENT - DO NOT SCALE THIS PRINT				RFP	04/12/02	CAD FILE		00501001	SIZE	DRAWING NO.	REV.
				DIST		BRF-NLV		A	005010-01	A	