

# PRODUCT INFORMATION PACKET



Model No: C42P17FZ4B

Catalog No: 096007.00

PE350...29:1.59/49RPM.135LBIN..16HP.42Y...AC GEARMOTORS SUB-  
FHP.115/230V.1PH.60/50HZ.TEFC.C42P17FZ4B

PE350 Series



Regal and Leeson are trademarks of Regal Beloit Corporation or one of its affiliated companies.

©2018 Regal Beloit Corporation, All Rights Reserved. MC017097E





### Nameplate Specifications

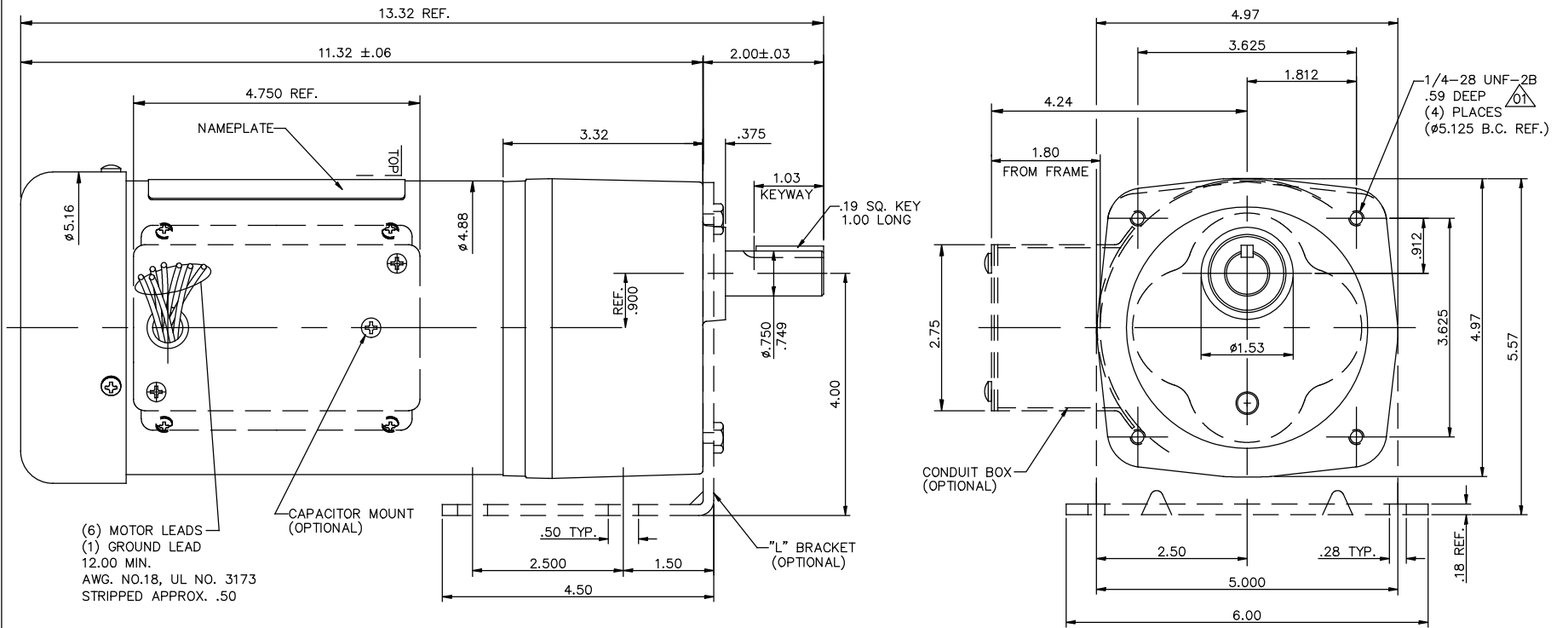
Output HP	0.16 Hp	Output KW	0.12 kW
Frequency	60 Hz	Voltage	110 V
Current	2.9/1.5 A	Speed	59 rpm
Service Factor	1	Phase	1
Duty	Continuous	Insulation Class	F
KVA Code	H	Frame	42Y
Enclosure	Totally Enclosed Fan Cooled	Overload Protector	No
Ambient Temperature	40 °C	Drive End Bearing Size	6203
Opp Drive End Bearing Size	6201	UL	Recognized
CSA	Y	CE	N

### Technical Specifications

Rotation	Reversible	Mounting	Special
Shaft Type	Parallel	Overall Length	13.32 in
Frame Length	6.25 in	Shaft Diameter	0.750 in
Shaft Extension	1.625 in		
Outline Drawing	027689-096007	Connection Diagram	005108.05

This is an uncontrolled document once printed or downloaded and is subject to change without notice. Date Created: 10/15/2018

027689

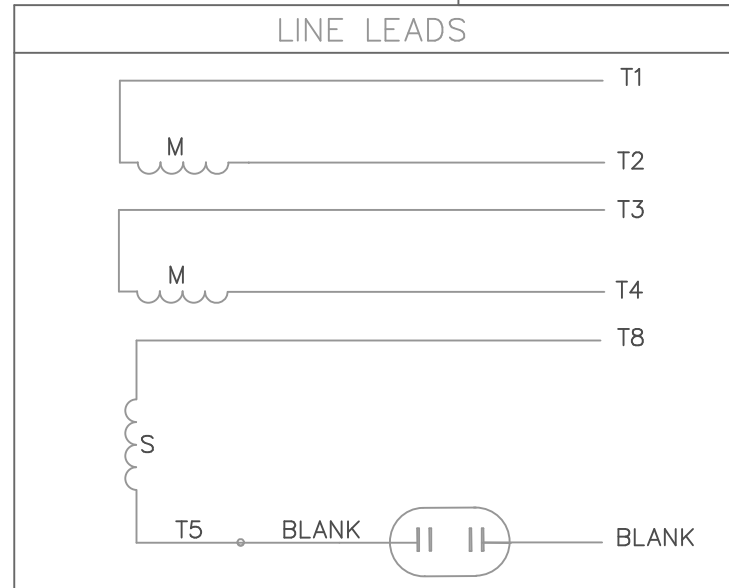
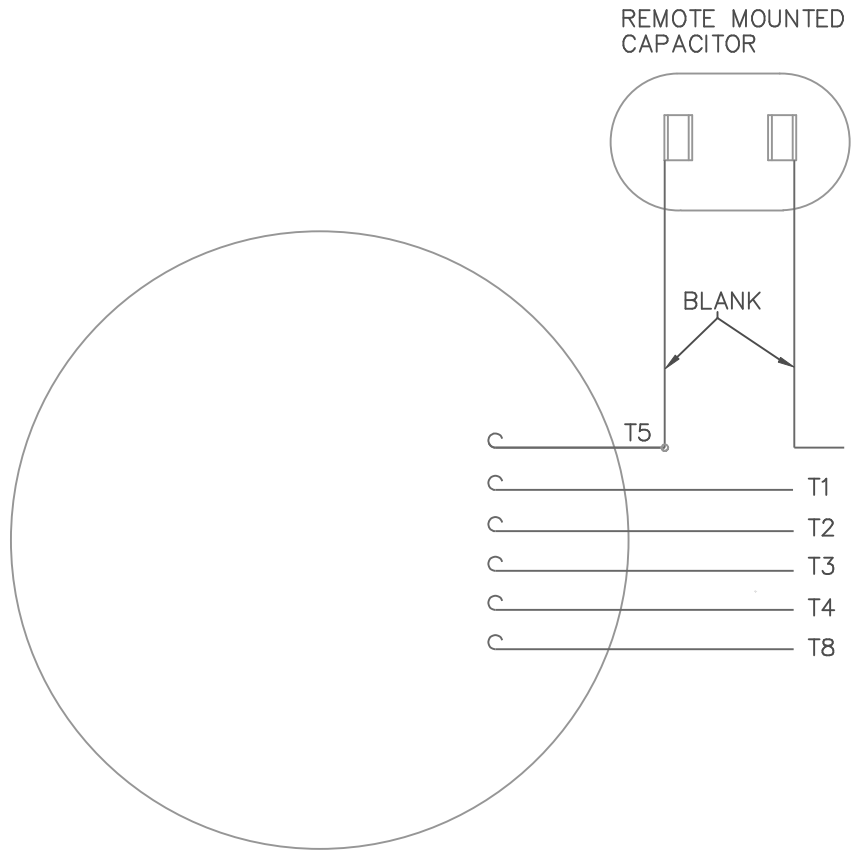


CATALOG NUMBER	OUTPUT RPM	FULL LOAD TORQUE LB.-IN.	INPUT HP	OVERHUNG LOAD LBS.	RATIO TO 1
096004.00	29	270	1/6	327	58
096005.00	34	250	1/6	330	50
096006.00	40	180	1/6	303	43
096007.00	59	135	1/6	267	29
096008.00	75	90	1/6	256	23
096009.00	113	68	1/6	222	15
096010.00	160	45	1/6	196	10
096011.00	340	25	1/6	190	5

				TOLERANCES UNLESS OTHERWISE SPECIFIED		<b>LEESON ELECTRIC CORPORATION</b>			
				DECIMALS		DRAWN DWF 7/14/97			
				.00 ± .01		CH'K'D.		TITLE	
				.000 ± .005		APPR.		OUTLINE DRAWING	
				.0000 ± .0005		SCALE 1=1.5		42 FRAME PE350 STOCK	
NO.	REVISION	BY	DATE	FRACTIONS ± 1/64	REF. PR970359	FINISH LEESON	SIZE B	DRAWING NO.	
01	THREAD DEEPHT WAS .63"	JD	06/06/17	ANGLES ± 1/2° <td>FMF 092141.00 <td>STOCK <td></td> <td colspan="2">027689</td> </td></td>	FMF 092141.00 <td>STOCK <td></td> <td colspan="2">027689</td> </td>	STOCK <td></td> <td colspan="2">027689</td>		027689	
THIS DRAWING IN DESIGN AND DETAIL IS OUR PROPERTY AND MUST NOT BE USED EXCEPT IN CONNECTION WITH OUR WORK ALL RIGHTS OF DESIGN AND INVENTION ARE RESERVED									

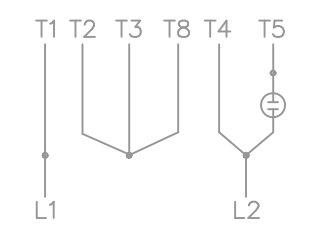
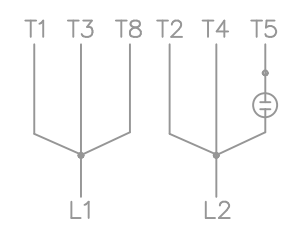
005108-05

VIEW FROM OUTSIDE OF MOTOR AT LEAD END.



LOW VOLTAGE

HIGH VOLTAGE



2 STAGE:  
C.C.W. ROTATION FACING LEAD END AS SHOWN  
INTERCHANGE LEADS T5 & T8 FOR C.W.

3 STAGE:  
CW ROTATION FACING LEAD END AS SHOWN  
INTERCHANGE LEADS T5 & T8 FOR CCW

				TOLERANCES UNLESS OTHERWISE SPECIFIED		<b>LEESON</b> ELECTRIC CORPORATION			
				DECIMALS					
				.00	± .01	DRAWN DBT 07/21/97	TITLE		
				.000	± .005	CH'K'D.	EXTERNAL WIRING DIAGRAM TYPE "P" W/O PROTECTOR		
				.0000	± .0005	APPR.	MAT'L.		
NO.	REVISION	BY	DATE	FRACTIONS	± 1/64	SCALE	TAG - 080689.02 - 2 STAGE TAG - 080689.01 - 3 STAGE		
THIS DRAWING IN DESIGN AND DETAIL IS OUR PROPERTY AND MUST NOT BE USED EXCEPT IN CONNECTION WITH OUR WORK ALL RIGHTS OF DESIGN AND INVENTION ARE RESERVED				ANGLES	± 1/2°	REF.	FINISH		
				INCH/MM		FMF	LEESON GEARMOTORS		
							SIZE	DRAWING NO.	
							A	005108-05	