

PRODUCT INFORMATION PACKET



Model No: C42P17FZ3B

Catalog No: 096006.00

PE350...43:1.40/33RPM.180LBIN..16HP.P42Y...AC GEARMOTORS SUB-
FHP.115/230V.1PH.60/50HZ.TEFC.C42P17FZ3B

PE350 Series



Regal and Leeson are trademarks of Regal Beloit Corporation or one of its affiliated companies.

©2018 Regal Beloit Corporation, All Rights Reserved. MC017097E





Nameplate Specifications

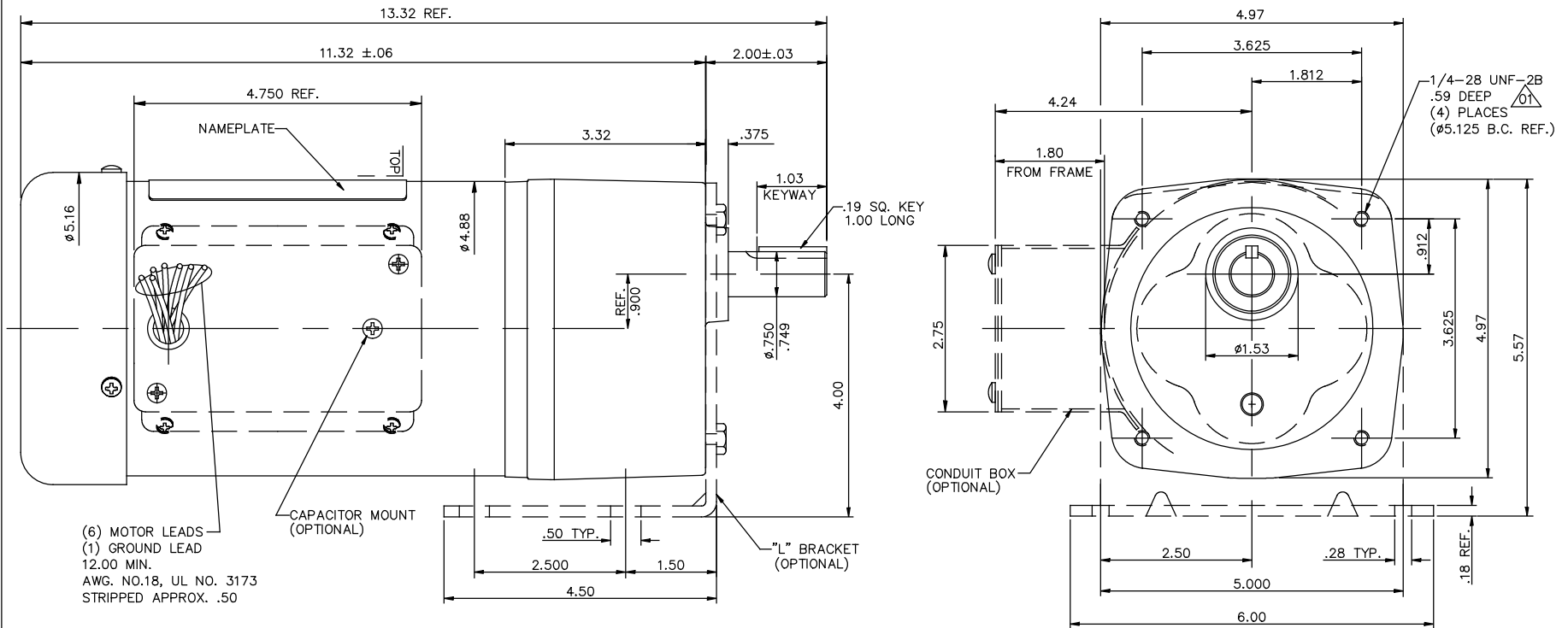
Output HP	0.16 Hp	Output KW	0.12 kW
Frequency	60 Hz	Voltage	110 V
Current	2.9/1.5 A	Speed	40 rpm
Service Factor	1	Phase	1
Duty	Continuous	Insulation Class	F
KVA Code	H	Frame	P42Y
Enclosure	Totally Enclosed Fan Cooled	Overload Protector	No
Ambient Temperature	40 °C	Drive End Bearing Size	6203
Opp Drive End Bearing Size	6201	UL	Recognized
CSA	Y	CE	N

Technical Specifications

Rotation	Reversible	Mounting	Special
Shaft Type	Parallel	Overall Length	13.32 in
Frame Length	6.25 in	Shaft Diameter	0.750 in
Shaft Extension	1.625 in		
Outline Drawing	027689-096006	Connection Diagram	005108.05

This is an uncontrolled document once printed or downloaded and is subject to change without notice. Date Created: 10/15/2018

027689

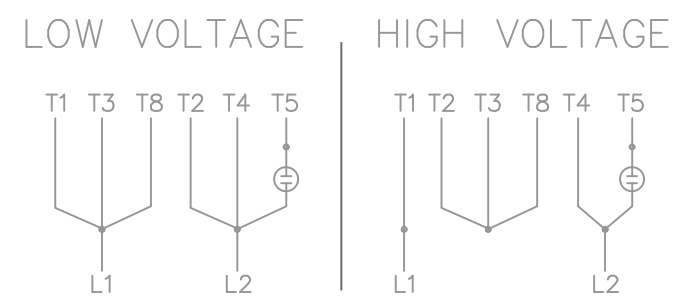
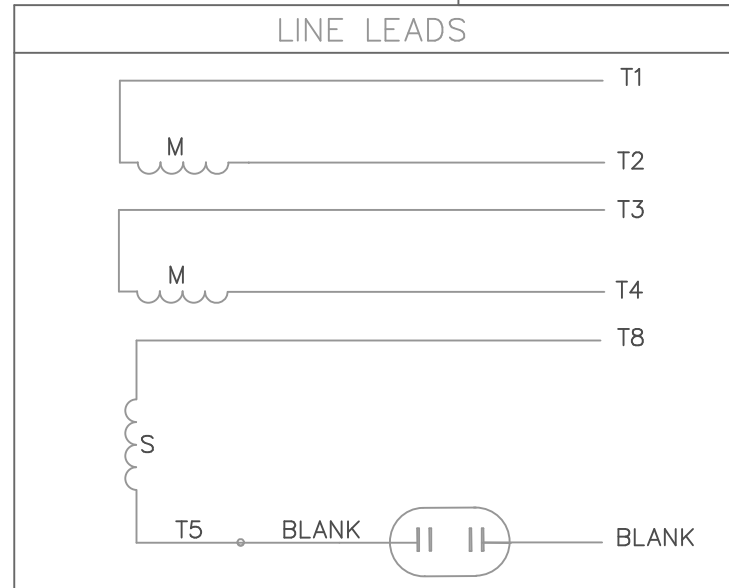
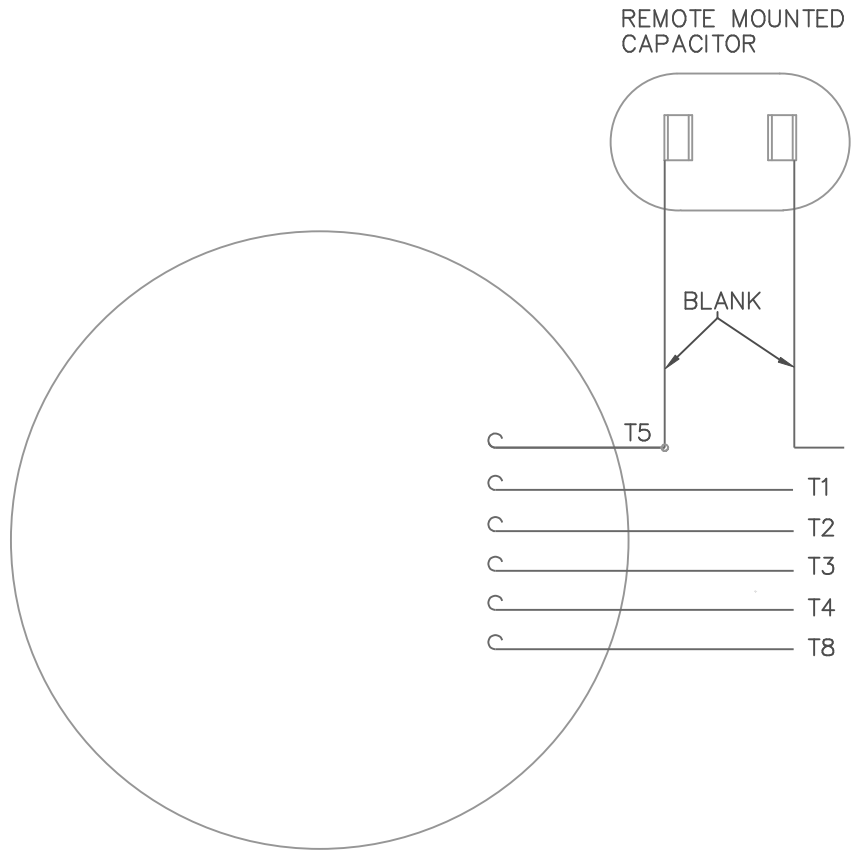


CATALOG NUMBER	OUTPUT RPM	FULL LOAD TORQUE LB.-IN.	INPUT HP	OVERHUNG LOAD LBS.	RATIO TO 1
096004.00	29	270	1/6	327	58
096005.00	34	250	1/6	330	50
096006.00	40	180	1/6	303	43
096007.00	59	135	1/6	267	29
096008.00	75	90	1/6	256	23
096009.00	113	68	1/6	222	15
096010.00	160	45	1/6	196	10
096011.00	340	25	1/6	190	5

				TOLERANCES UNLESS OTHERWISE SPECIFIED		LEESON ELECTRIC CORPORATION				
				DECIMALS		DRAWN DWF 7/14/97				
						CH'K'D.				
						APPR.				
						TITLE				
						OUTLINE DRAWING				
						42 FRAME PE350 STOCK				
						MAT'L				
NO.	REVISION	BY	DATE	FRACTIONS	SCALE	REF.	FINISH	LEESON	SIZE	DRAWING NO.
01	THREAD DEEPTH WAS .63"	JD	06/06/17	.0000	1=1.5	PR970359	LEESON		B	027689
THIS DRAWING IN DESIGN AND DETAIL IS OUR PROPERTY AND MUST NOT BE USED EXCEPT IN CONNECTION WITH OUR WORK ALL RIGHTS OF DESIGN AND INVENTION ARE RESERVED				ANGLES	± 1/2'	FMF	STOCK			
				INCH/MM		092141.00				

005108-05

VIEW FROM OUTSIDE OF MOTOR AT LEAD END.



2 STAGE:
C.C.W. ROTATION FACING LEAD END AS SHOWN
INTERCHANGE LEADS T5 & T8 FOR C.W.
3 STAGE:
CW ROTATION FACING LEAD END AS SHOWN
INTERCHANGE LEADS T5 & T8 FOR CCW

				TOLERANCES UNLESS OTHERWISE SPECIFIED		LEESON ELECTRIC CORPORATION			
				DECIMALS					
				.00	± .01	DRAWN DBT 07/21/97	TITLE		
				.000	± .005	CH'K'D.	EXTERNAL WIRING DIAGRAM TYPE "P" W/O PROTECTOR		
				.0000	± .0005	APPR.	MAT'L.		
NO.	REVISION	BY	DATE	FRACTIONS	± 1/64	SCALE	TAG - 080689.02 - 2 STAGE TAG - 080689.01 - 3 STAGE		
THIS DRAWING IN DESIGN AND DETAIL IS OUR PROPERTY AND MUST NOT BE USED EXCEPT IN CONNECTION WITH OUR WORK ALL RIGHTS OF DESIGN AND INVENTION ARE RESERVED				ANGLES	± 1/2°	REF.	FINISH		
				INCH/MM		FMF	LEESON GEARMOTORS		
							SIZE	DRAWING NO.	
							A	005108-05	