

PRODUCT INFORMATION PACKET



Model No: C42P17FZ1B

Catalog No: 096004.00

PE350...58:1.29/24RPM.270LBIN..16HP.P42Y...AC GEARMOTORS SUB-
FHP.115/230V.1PH.60/50HZ.TEFC.C42P17FZ1B

PE350 Series



Regal and Leeson are trademarks of Regal Beloit Corporation or one of its affiliated companies.

©2018 Regal Beloit Corporation, All Rights Reserved. MC017097E





Nameplate Specifications

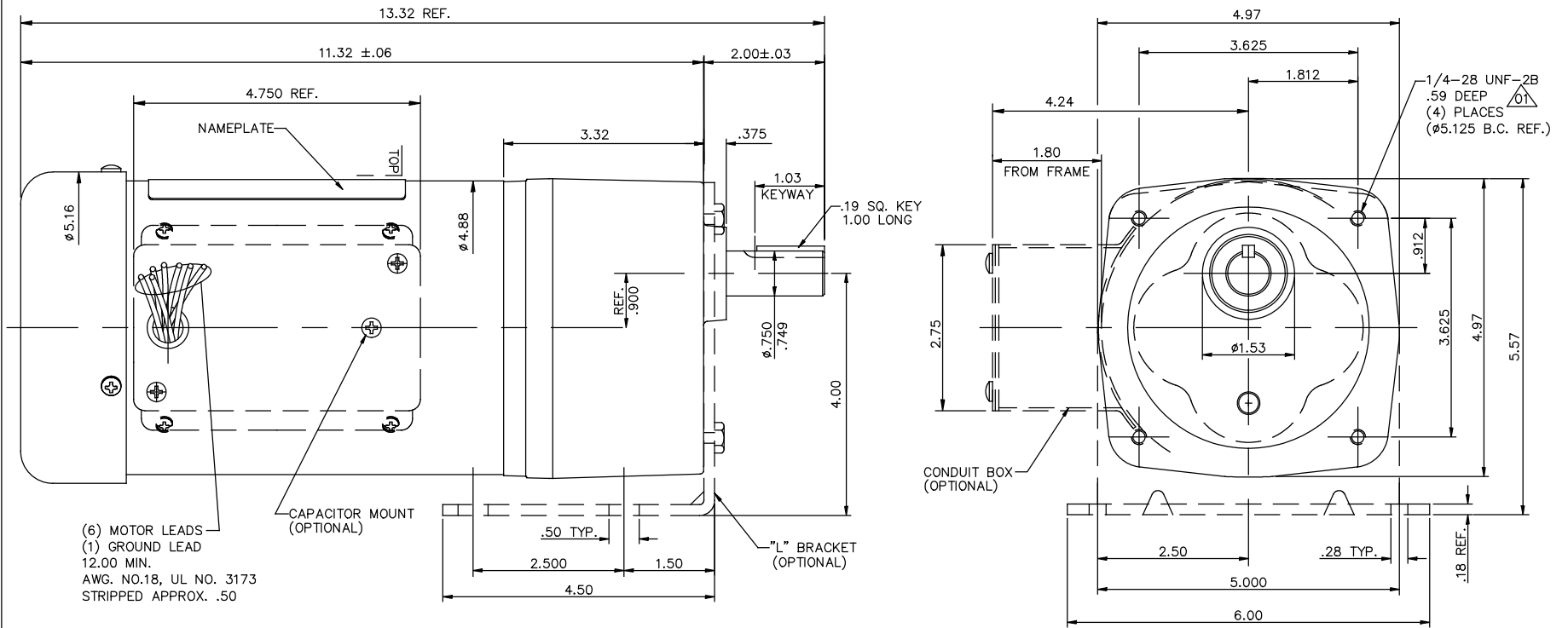
Output HP	0.16 Hp	Output KW	0.12 kW
Frequency	60 Hz	Voltage	110 V
Current	2.9/1.5 A	Speed	29 rpm
Service Factor	1	Phase	1
Duty	Continuous	Insulation Class	F
KVA Code	H	Frame	P42Y
Enclosure	Totally Enclosed Fan Cooled	Overload Protector	No
Ambient Temperature	40 °C	Drive End Bearing Size	6203
Opp Drive End Bearing Size	6201	UL	Recognized
CSA	Y	CE	N

Technical Specifications

Rotation	Reversible	Mounting	Special
Shaft Type	Parallel	Overall Length	13.32 in
Frame Length	6.25 in	Shaft Diameter	0.750 in
Shaft Extension	1.625 in		
Outline Drawing	027689-096004	Connection Diagram	005108.05

This is an uncontrolled document once printed or downloaded and is subject to change without notice. Date Created: 10/15/2018

027689



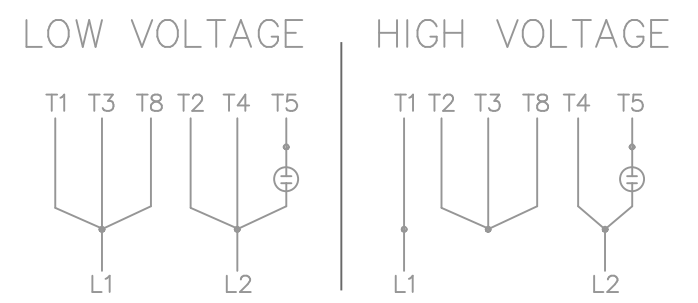
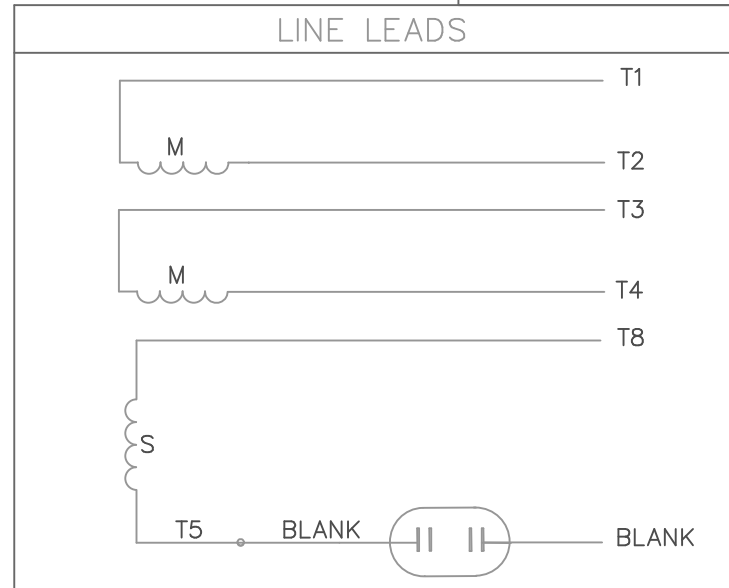
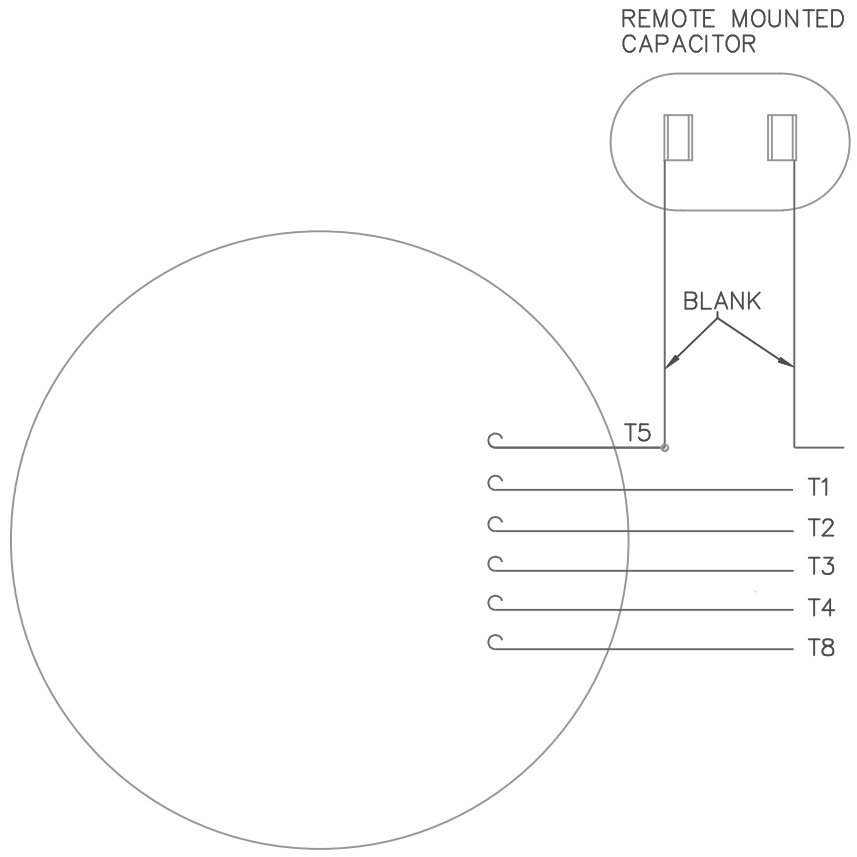
CATALOG NUMBER	OUTPUT RPM	FULL LOAD TORQUE LB.-IN.	INPUT HP	OVERHUNG LOAD LBS.	RATIO TO 1
096004.00	29	270	1/6	327	58
096005.00	34	250	1/6	330	50
096006.00	40	180	1/6	303	43
096007.00	59	135	1/6	267	29
096008.00	75	90	1/6	256	23
096009.00	113	68	1/6	222	15
096010.00	160	45	1/6	196	10
096011.00	340	25	1/6	190	5

				TOLERANCES UNLESS OTHERWISE SPECIFIED		LEESON ELECTRIC CORPORATION					
				DECIMALS							
				.00	± .01	DRAWN	DWF 7/14/97	TITLE			
				.000	± .005	CH'K'D.		OUTLINE DRAWING			
				.0000	± .0005	APPR.		42 FRAME PE350 STOCK			
01	THREAD DEEPHT WAS .63"	JD	06/06/17	FRACTIONS	± 1/64	SCALE	1=1.5	MAT'L			
NO.	REVISION	BY	DATE	ANGLES	± 1/2°	REF.	PR970359	FINISH	LEESON	SIZE	DRAWING NO.
				INCH/MM		FMF	092141.00	STOCK	B	027689	

THIS DRAWING IN DESIGN AND DETAIL IS OUR PROPERTY AND MUST NOT BE USED EXCEPT IN CONNECTION WITH OUR WORK ALL RIGHTS OF DESIGN AND INVENTION ARE RESERVED

005108-05

VIEW FROM OUTSIDE OF MOTOR AT LEAD END.



2 STAGE:
C.C.W. ROTATION FACING LEAD END AS SHOWN
INTERCHANGE LEADS T5 & T8 FOR C.W.

3 STAGE:
CW ROTATION FACING LEAD END AS SHOWN
INTERCHANGE LEADS T5 & T8 FOR CCW

				TOLERANCES UNLESS OTHERWISE SPECIFIED		LEESON ELECTRIC CORPORATION				
				DECIMALS						
				.00	± .01	DRAWN DBT 07/21/97	TITLE			
				.000	± .005	CH'K'D.	EXTERNAL WIRING DIAGRAM TYPE "P" W/O PROTECTOR			
				.0000	± .0005	APPR.	MAT'L.			
NO.	REVISION	BY	DATE	FRACTIONS	± 1/64	SCALE 1=1	TAG - 080689.02 - 2 STAGE TAG - 080689.01 - 3 STAGE			
THIS DRAWING IN DESIGN AND DETAIL IS OUR PROPERTY AND MUST NOT BE USED EXCEPT IN CONNECTION WITH OUR WORK ALL RIGHTS OF DESIGN AND INVENTION ARE RESERVED				ANGLES	± 1/2°	REF. 005018-01	FINISH	LEESON	SIZE	DRAWING NO.
				INCH/MM		FMF	GEARMOTORS	A	005108-05	