

# PRODUCT INFORMATION PACKET



Model No: C42P17NZ4B

Catalog No: 096003.00

PE350...91:1.19/16RPM.250LBIN..08HP.L42Y...AC GEARMOTORS SUB-  
FHP.115/230V.1PH.60/50HZ.TENV.C42P17NZ4B

PE350 Series



Regal and Leeson are trademarks of Regal Beloit Corporation or one of its affiliated companies.

©2018 Regal Beloit Corporation, All Rights Reserved. MC017097E





### Nameplate Specifications

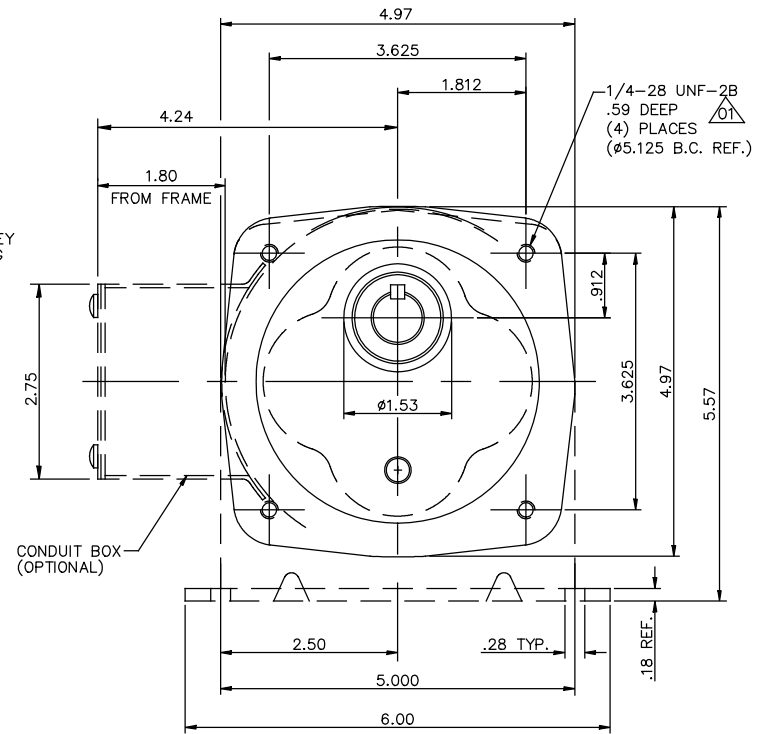
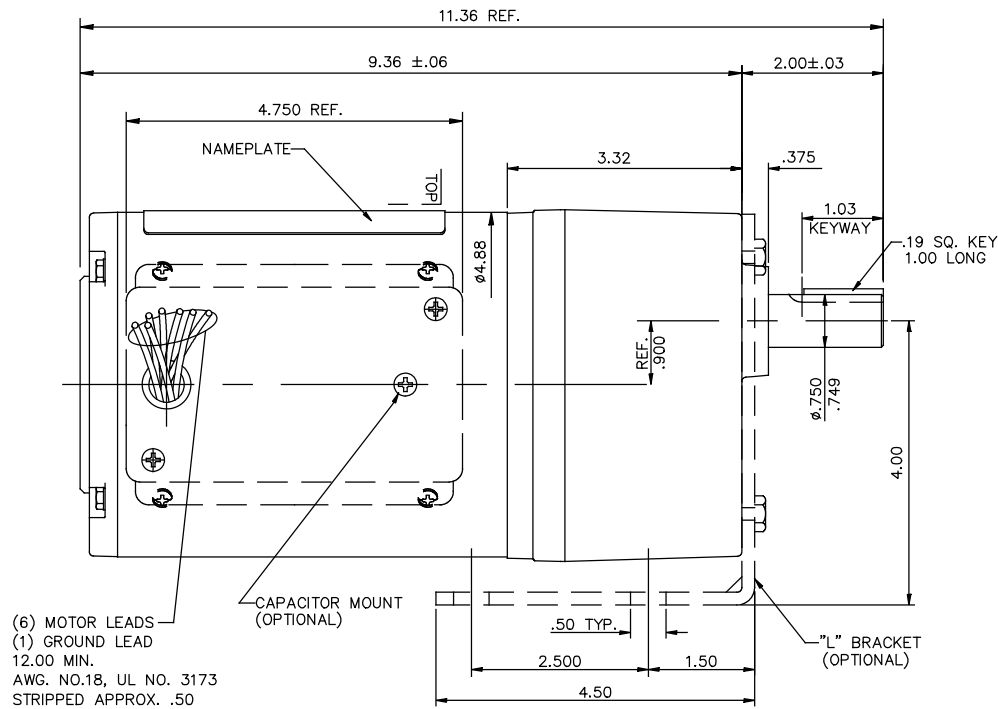
Output HP	0.08 Hp	Output KW	0.06 kW
Frequency	60 Hz	Voltage	110 V
Current	1.3/0.65 A	Speed	19 rpm
Service Factor	1	Phase	1
Duty	Continuous	Insulation Class	F
KVA Code	G	Frame	L42Y
Enclosure	Totally Enclosed Non Ventilated	Overload Protector	No
Ambient Temperature	40 °C	Drive End Bearing Size	6203
Opp Drive End Bearing Size	6201	UL	Recognized
CSA	Y	CE	N

### Technical Specifications

Rotation	Reversible	Mounting	Special
Shaft Type	Parallel	Overall Length	11.36 in
Frame Length	5.50 in	Shaft Diameter	0.750 in
Shaft Extension	1.625 in		
Outline Drawing	027690-096003	Connection Diagram	005108.05

This is an uncontrolled document once printed or downloaded and is subject to change without notice. Date Created: 10/15/2018

027690

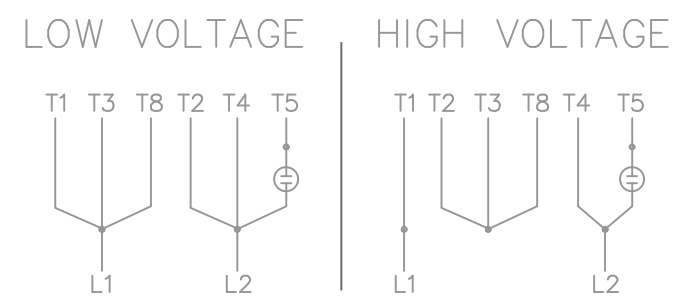
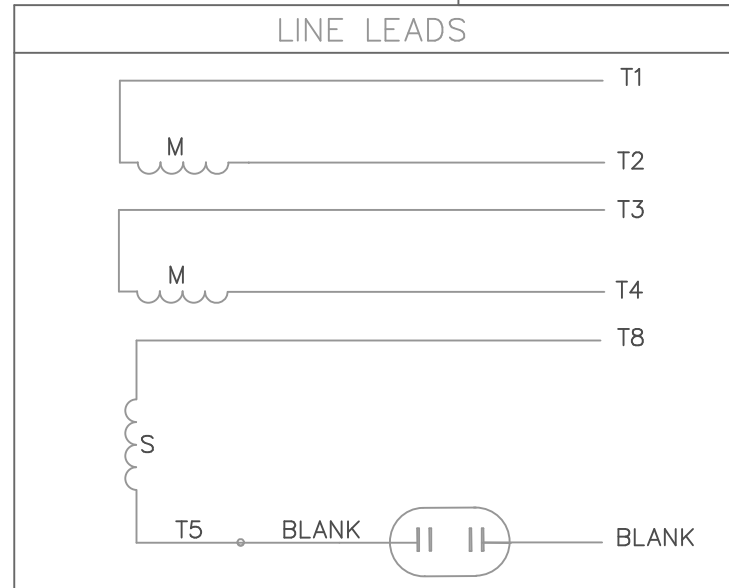
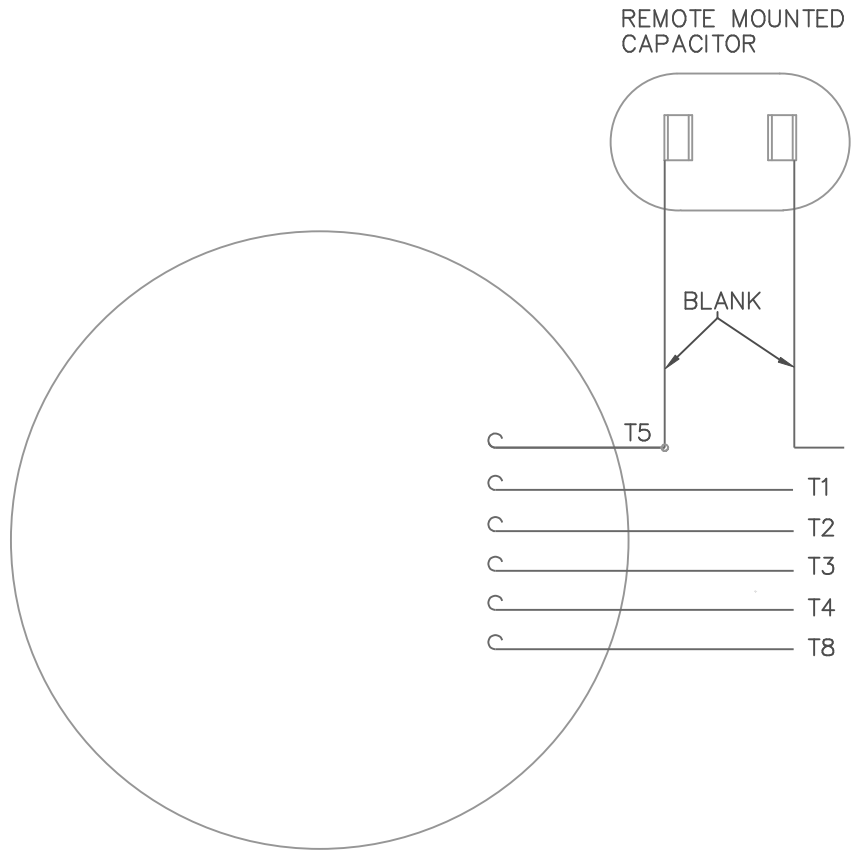


CATALOG NUMBER	OUTPUT RPM	FULL LOAD TORQUE LB.-IN.	INPUT HP	OVERHUNG LOAD LBS.	RATIO TO 1
096000.00	5	310	1/12	565	336
096001.00	9	341	1/12	491	180
096002.00	14	280	1/12	459	124
096003.00	19	250	1/12	374	91

				TOLERANCES UNLESS OTHERWISE SPECIFIED		<b>LEESON ELECTRIC CORPORATION</b>					
				DECIMALS							
				.00	± .01	DRAWN	DWF 7/14/97	TITLE			
				.000	± .005	CH'K'D.		OUTLINE DRAWING			
				.0000	± .0005	APPR.		42 FRAME PE350 STOCK			
01	THREAD DEPTH WAS .63"	JD	06/06/17	FRACTIONS	± 1/64	SCALE	1=1.5	MAT'L			
NO.	REVISION	BY	DATE	ANGLES	± 1/2°	REF.	027689	FINISH	LEESON	SIZE	DRAWING NO.
THIS DRAWING IN DESIGN AND DETAIL IS OUR PROPERTY AND MUST NOT BE USED EXCEPT IN CONNECTION WITH OUR WORK. ALL RIGHTS OF DESIGN AND INVENTION ARE RESERVED.				INCH/MM		FMF	096000.00	STOCK	B	027690	

005108-05

VIEW FROM OUTSIDE OF MOTOR AT LEAD END.



2 STAGE:  
C.C.W. ROTATION FACING LEAD END AS SHOWN  
INTERCHANGE LEADS T5 & T8 FOR C.W.  
3 STAGE:  
CW ROTATION FACING LEAD END AS SHOWN  
INTERCHANGE LEADS T5 & T8 FOR CCW

				TOLERANCES UNLESS OTHERWISE SPECIFIED		<b>LEESON</b> ELECTRIC CORPORATION						
				DECIMALS								
				.00	± .01	DRAWN DBT 07/21/97	TITLE					
				.000	± .005	CH'K'D.	EXTERNAL WIRING DIAGRAM TYPE "P" W/O PROTECTOR					
				.0000	± .0005	APPR.	MAT'L.					
NO.	REVISION	BY	DATE	FRACTIONS	± 1/64	SCALE 1=1	TAG - 080689.02 - 2 STAGE TAG - 080689.01 - 3 STAGE					
THIS DRAWING IN DESIGN AND DETAIL IS OUR PROPERTY AND MUST NOT BE USED EXCEPT IN CONNECTION WITH OUR WORK ALL RIGHTS OF DESIGN AND INVENTION ARE RESERVED						ANGLES	± 1/2"	REF. 005018-01	FINISH	LEESON	SIZE	DRAWING NO.
						INCH/MM		FMF	GEARMOTORS	A	005108-05	