

PRODUCT INFORMATION PACKET



Model No: C42P17NZ3B

Catalog No: 096002.00

PE350...124:1.14/12RPM.330LBIN..08HP.L42Y....115/230V.1PH.60/50HZ.TENV.C42P17NZ3B

PE350 Series



Regal and Leeson are trademarks of Regal Beloit Corporation or one of its affiliated companies.

©2018 Regal Beloit Corporation, All Rights Reserved. MC017097E





Nameplate Specifications

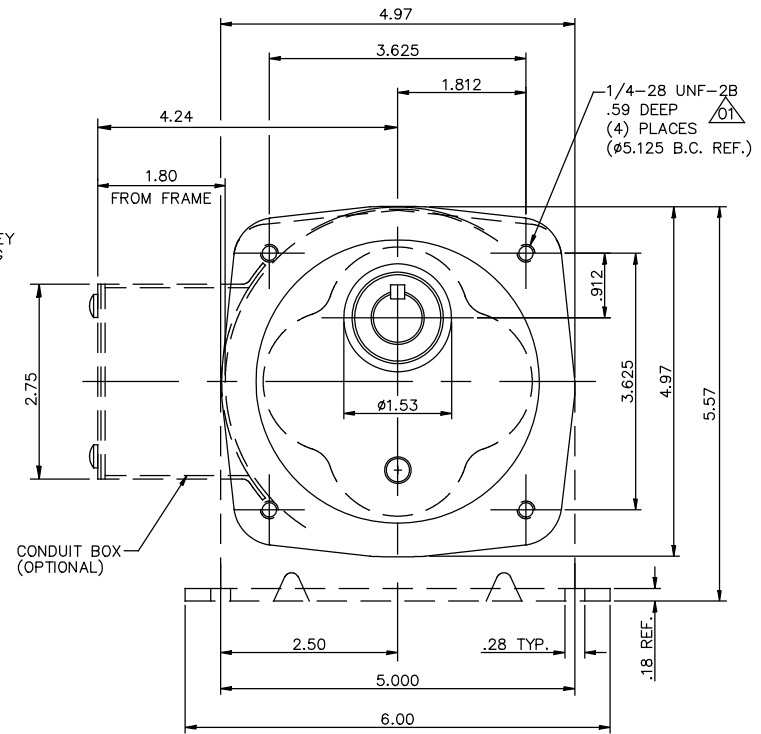
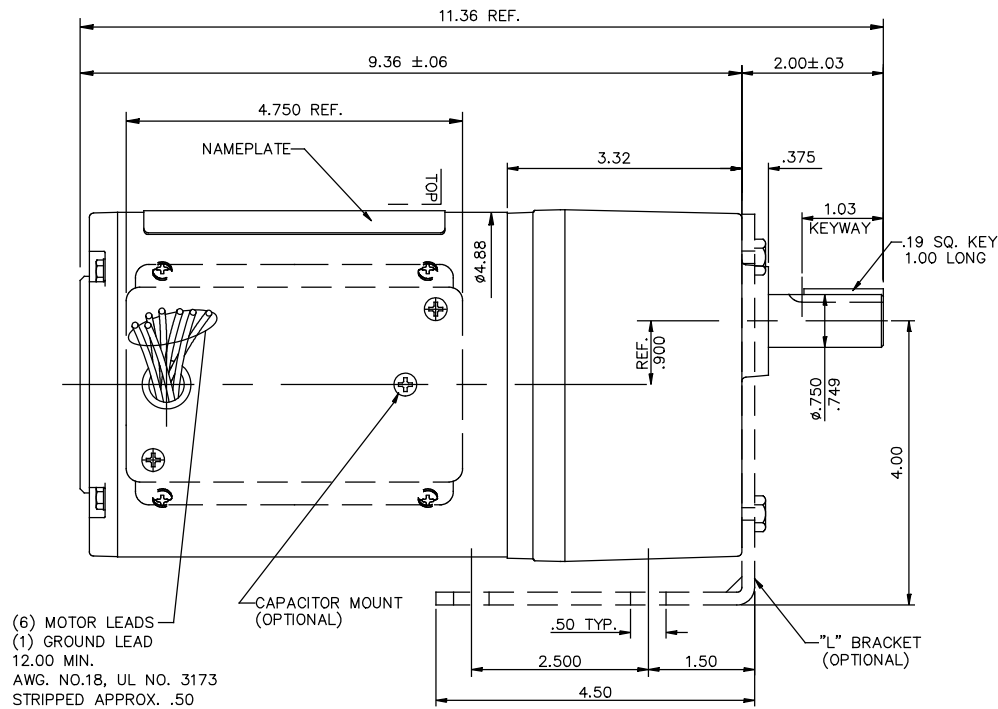
Output HP	0.08 Hp	Output KW	0.06 kW
Frequency	60 Hz	Voltage	110 V
Current	1.3/0.65 A	Speed	14 rpm
Service Factor	1	Phase	1
Duty	Continuous	Insulation Class	F
KVA Code	G	Frame	L42Y
Enclosure	Totally Enclosed Non Ventilated	Overload Protector	No
Ambient Temperature	40 °C	Drive End Bearing Size	6203
Opp Drive End Bearing Size	6201	UL	Recognized
CSA	Y	CE	N

Technical Specifications

Rotation	Reversible	Mounting	Special
Shaft Type	Parallel	Overall Length	11.36 in
Frame Length	5.50 in	Shaft Diameter	0.750 in
Shaft Extension	1.625 in		
Outline Drawing	027690-096002	Connection Diagram	005108.05

This is an uncontrolled document once printed or downloaded and is subject to change without notice. Date Created: 10/15/2018

027690

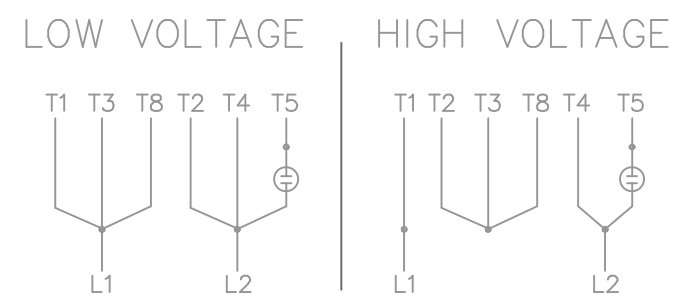
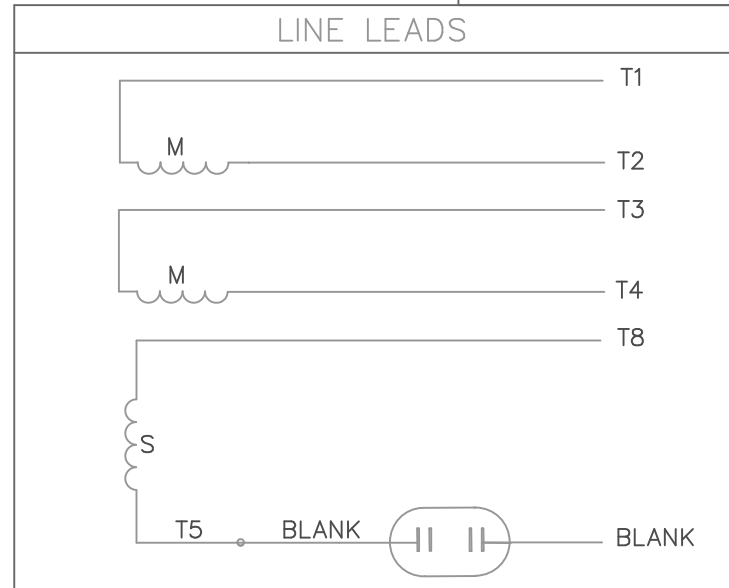
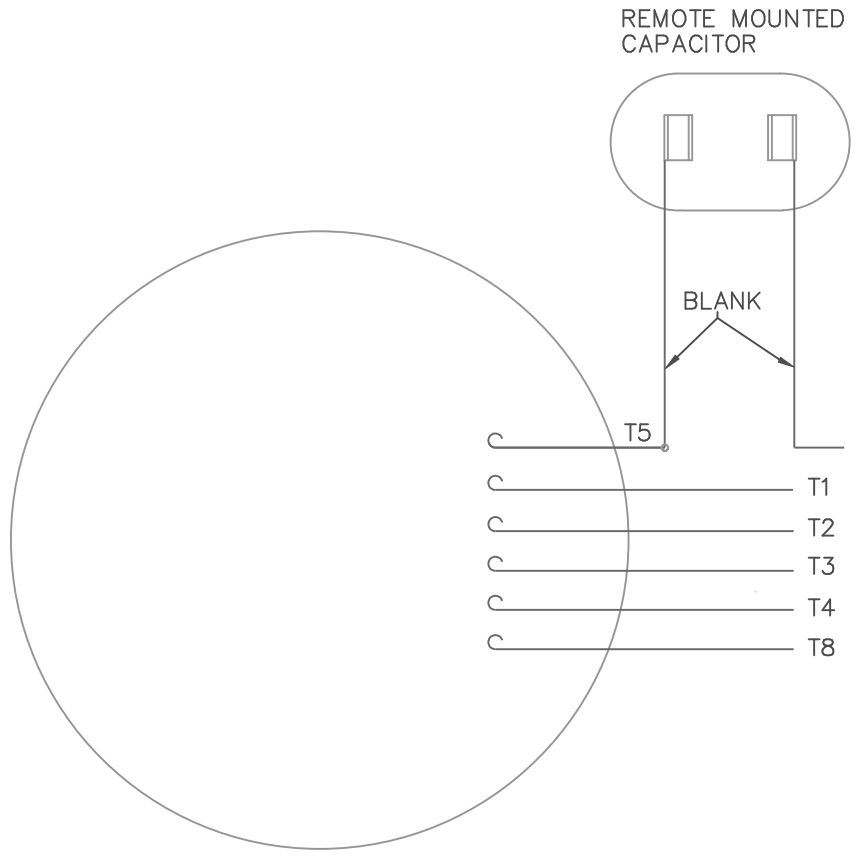


CATALOG NUMBER	OUTPUT RPM	FULL LOAD TORQUE LB.-IN.	INPUT HP	OVERHUNG LOAD LBS.	RATIO TO 1
096000.00	5	310	1/12	565	336
096001.00	9	341	1/12	491	180
096002.00	14	280	1/12	459	124
096003.00	19	250	1/12	374	91

				TOLERANCES UNLESS OTHERWISE SPECIFIED		LEESON ELECTRIC CORPORATION					
				DECIMALS							
				.00	± .01	DRAWN	DWF 7/14/97	TITLE		OUTLINE DRAWING	
				.000	± .005	CH'K'D.				42 FRAME PE350 STOCK	
01	THREAD DEPTH WAS .63"		JD	.0000	± .0005	APPR.		MAT'L			
NO.	REVISION	BY	DATE	FRACTIONS	± 1/64	SCALE	1=1.5	FINISH	LEESON	SIZE	DRAWING NO.
THIS DRAWING IN DESIGN AND DETAIL IS OUR PROPERTY AND MUST NOT BE USED EXCEPT IN CONNECTION WITH OUR WORK. ALL RIGHTS OF DESIGN AND INVENTION ARE RESERVED.				ANGLES	± 1/2°	REF.	027689	STOCK	B	027690	
				INCH/MM		FMF	096000.00				

005108-05

VIEW FROM OUTSIDE OF MOTOR AT LEAD END.



2 STAGE:
C.C.W. ROTATION FACING LEAD END AS SHOWN
INTERCHANGE LEADS T5 & T8 FOR C.W.

3 STAGE:
CW ROTATION FACING LEAD END AS SHOWN
INTERCHANGE LEADS T5 & T8 FOR CCW

				TOLERANCES UNLESS OTHERWISE SPECIFIED		LEESON ELECTRIC CORPORATION			
				DECIMALS					
				.00	± .01	DRAWN DBT 07/21/97	TITLE EXTERNAL WIRING DIAGRAM		
				.000	± .005	CH'K'D.	TYPE "P" W/O PROTECTOR		
				.0000	± .0005	APPR.	MAT'L. TAG - 080689.02 - 2 STAGE		
NO.	REVISION	BY	DATE	FRACTIONS	± 1/64	SCALE 1=1	TAG - 080689.01 - 3 STAGE		
THIS DRAWING IN DESIGN AND DETAIL IS OUR PROPERTY AND MUST NOT BE USED EXCEPT IN CONNECTION WITH OUR WORK ALL RIGHTS OF DESIGN AND INVENTION ARE RESERVED				ANGLES	± 1/2°	REF. 005018-01	FINISH LEESON	SIZE A	DRAWING NO.
				INCH/MM		FMF	GEARMOTORS		005108-05