

# PRODUCT INFORMATION PACKET



Model No: C42T17NB1C

Catalog No: 092015.00

1/6HP..1725RPM.42.TENV.208-230/460V.3PH.60HZ.CONT.NOT.40C.1.0SF.RIGID.GENERAL  
PURPOSE.C42T17NB1C

Totally Enclosed Non-Ventilated (TENV)



Regal and Leeson are trademarks of Regal Beloit Corporation or one of its affiliated companies.

©2018 Regal Beloit Corporation, All Rights Reserved. MC017097E





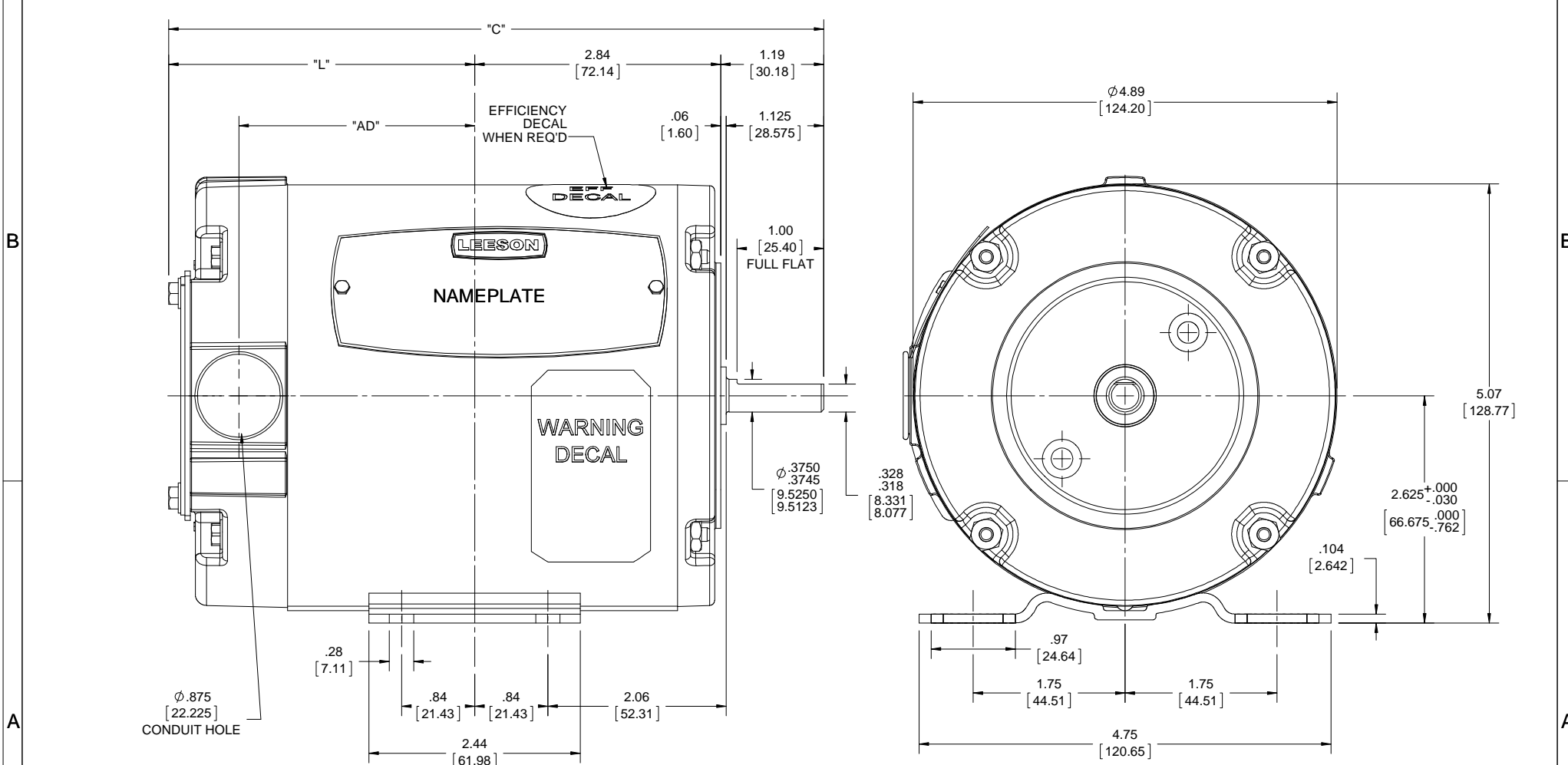
### Nameplate Specifications

Output HP	0.17 Hp	Output KW	0.13 kW
Frequency	60 Hz	Voltage	208-230/460 V
Current	0.88/0.44 A	Speed	1725 rpm
Service Factor	1	Phase	3
Efficiency	66 %	Duty	Continuous
Insulation Class	B	Design Code	NO DESIGN CODE
KVA Code	M	Frame	42
Enclosure	Totally Enclosed Non Ventilated	Overload Protector	No
Ambient Temperature	40 °C	Drive End Bearing Size	6203
Opp Drive End Bearing Size	6203	UL	Recognized
CSA	Y	CE	N
IP Code	43		

### Technical Specifications

Electrical Type	Squirrel Cage Induction Run	Starting Method	Across The Line
Poles	4	Rotation	Reversible
Mounting	Rigid base	Motor Orientation	HORIZONTAL
Drive End Bearing	BALL	Opp Drive End Bearing	BALL
Frame Material	Rolled Steel	Shaft Type	Single Special Extension
Overall Length	7.56 in	Frame Length	4.75 in
Shaft Diameter	0.375 in	Shaft Extension	1.12 in
Assembly/Box Mounting	F1 ONLY		
Outline Drawing	027930-H42	Connection Diagram	005010.01

This is an uncontrolled document once printed or downloaded and is subject to change without notice. Date Created: 10/15/2018



NOTE:-  
1. GASKETS THROUGHOUT.

FRAME	"C"	"L"	"AD"
G42	7.56 [192.02]	3.53 [89.66]	2.72 [69.08]
H42	7.81 [198.37]	3.78 [96.01]	2.97 [75.43]
J42	8.06 [204.72]	4.03 [102.36]	3.22 [81.78]

DRAWING REVISION	REVISION BY	DATE
A		
ECO-0139851	APPROVED BY	DATE
ECO DESCRIPTION		
OUTLINE CONVERSION PROJECT		
<small>COPYRIGHT REGAL BELOIT AMERICA, INC. ALL RIGHTS RESERVED.                      PROPRIETARY AND CONFIDENTIAL INFORMATION - THIS DOCUMENT IS THE PROPERTY OF                      REGAL BELOIT AMERICA, INC. ("OWNER") AND CONTAINS OWNER'S PROPRIETARY                      INFORMATION. ANY PERSON, CORPORATION OR OTHER FIRM RECEIVING IT IS DEEMED,                      BY RECEIVING IT, TO AGREE THAT IT, AND/OR ANY PART OF IT, SHALL NOT BE DISCLOSED                      TO ANY PERSON, CORPORATION OR OTHER ENTITY, DUPLICATED, AND/OR USED, EXCEPT                      AS EXPRESSLY APPROVED IN WRITING IN ADVANCE BY OWNER. THIS DOCUMENT SHALL                      BE RETURNED TO OWNER UPON REQUEST. IT MAY BE SUBJECT TO CERTAIN                      RESTRICTIONS UNDER APPLICABLE EXPORT CONTROL LAWS AND REGULATIONS.</small>		

TOLERANCES UNLESS OTHERWISE SPECIFIED:			
DEC.	INCH	mm	ANGLE
.X	$\pm 0.1$	[ $\pm 2.5$ ]	$\pm 0.5^\circ$
.XX	$\pm 0.01$	[ $\pm 0.25$ ]	
.XXX	$\pm 0.005$	[ $\pm 0.127$ ]	
.XXXX	$\pm 0.0005$	[ $\pm 0.0127$ ]	
REMOVE BURRS & BREAK SHARP			
EDGES: .003/.015 [0.076/.381] X 45°			
CORNER FILLETS: R.02 [51]			
MACHINED SURFACES: 125/3.2			
mm SHOWN IN [BRACKETS]			

DRAWN BY	DATE
A SUPPANAVAR	12/05/2017
APPROVED BY	DATE
PK	02/15/2018
REFERENCE	THIRD ANGLE PROJECTION
027516	

REGAL™ Regal Beloit America, Inc.	
DESCRIPTION	OUTLINE 42 FRAME - RIGID T.E.N.V.
MATERIAL	PROCESS/FINISH STANDARD
SIZE	DRAWING NUMBER
B	027930
SHEET 1 OF 1	

005010-01

VIEW FROM OUTSIDE OF MOTOR AT SWITCH END.



VOLTAGE	L1	L2	L3	JOIN & INSULATE
HIGH	T1	T2	T3	(T4,T7) (T5,T8) (T6,T9)
LOW	T1,T7	T2,T8	T3,T9	T4,T5,T6

		TOLERANCES UNLESS SPECIFIED		<b>REGAL™</b> Regal Beloit America, Inc.		DRAWN RDW 04/12/02				
		DEC.	INCHES	TITLE EXTERNAL WIRING DIAGRAM 3 PHASE W/O PROTECTOR		CHK				
		.X	±.1			APPD				
		.XX	±.01			SCALE 1=1				
		.XXX	±.005			REF FIG.2-51				
A	UPDATED TO REGAL LOGO	SAJ	06/26/15	AJY	.XXXX	±.0005	MAT'L. DECAL - 004014	FMF		
NO.	REVISION	BY & DATE	CHK	ANG	±1/2"	FINISH	PREV			
THIS DRAWING IN DESIGN AND DETAIL IS OUR PROPERTY AND MUST NOT BE USED EXCEPT IN CONNECTION WITH OUR WORK ALL RIGHTS OF DESIGN AND INVENTION ARE RESERVED THIS IS AN ELECTRONICALLY GENERATED DOCUMENT - DO NOT SCALE THIS PRINT				RFP	04/12/02	CAD FILE	00501001	SIZE A	DRAWING NO. 005010-01	REV. A
				DIST	BRF-NLV					

