

PRODUCT INFORMATION PACKET



Model No: C42T34NB2C

Catalog No: 092014.00

1/6HP..3450RPM.42.TENV.208-230/460V.3PH.60HZ.CONT.NOT.40C.1.0SF.RIGID.GENERAL
PURPOSE.C42T34NB2C

Totally Enclosed Non-Ventilated (TENV)



Regal and Leeson are trademarks of Regal Beloit Corporation or one of its affiliated companies.

©2018 Regal Beloit Corporation, All Rights Reserved. MC017097E





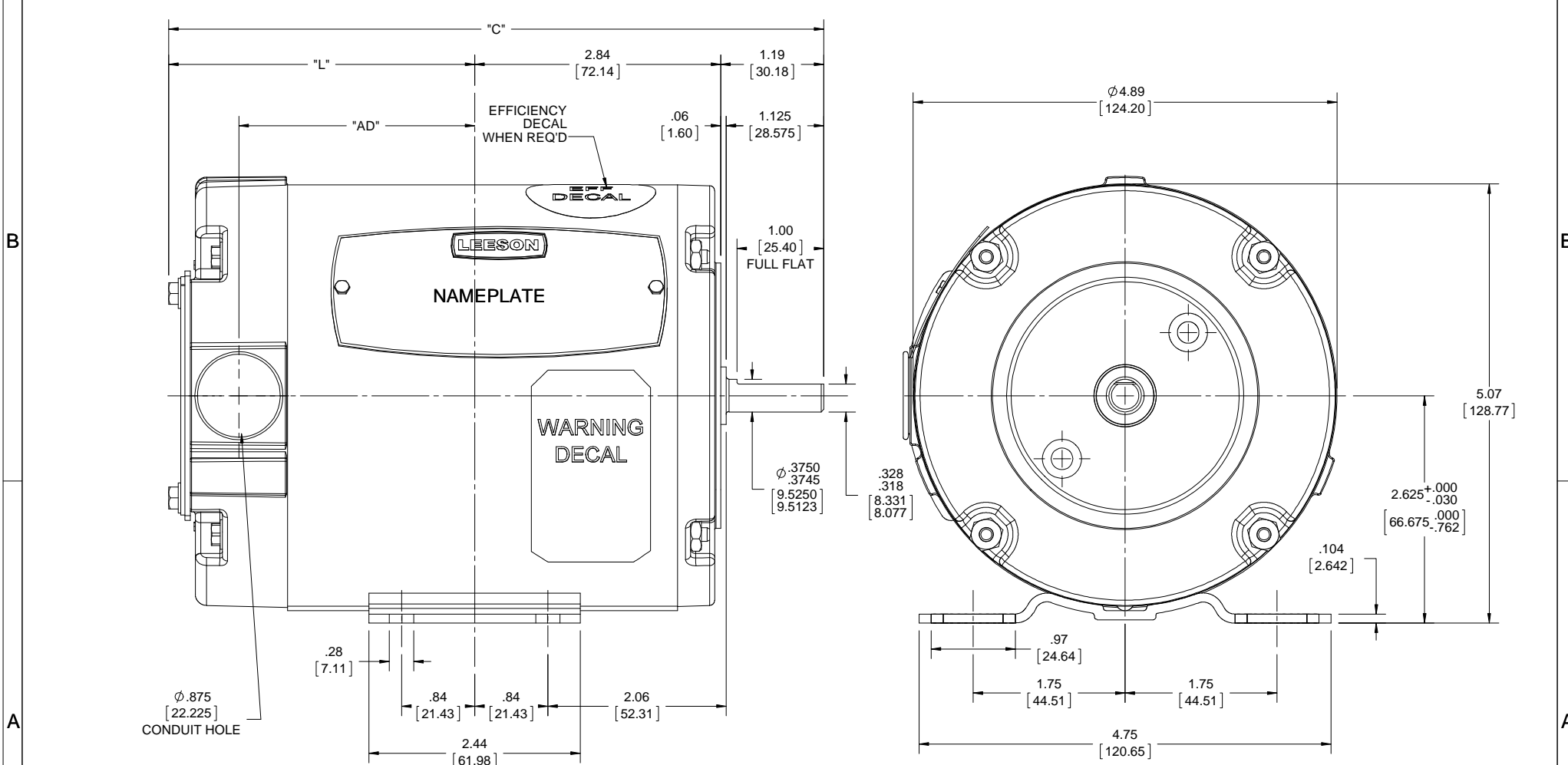
Nameplate Specifications

Output HP	0.17 Hp	Output KW	0.13 kW
Frequency	60 Hz	Voltage	208-230/460 V
Current	0.66/0.33 A	Speed	3450 rpm
Service Factor	1	Phase	3
Efficiency	65 %	Duty	Continuous
Insulation Class	B	Design Code	NO DESIGN CODE
KVA Code	L	Frame	42
Enclosure	Totally Enclosed Non Ventilated	Overload Protector	No
Ambient Temperature	40 °C	Drive End Bearing Size	6203
Opp Drive End Bearing Size	6203	UL	Recognized
CSA	Y	CE	N
IP Code	43		

Technical Specifications

Electrical Type	Squirrel Cage Induction Run	Starting Method	Across The Line
Poles	2	Rotation	Reversible
Mounting	Rigid base	Motor Orientation	HORIZONTAL
Drive End Bearing	BALL	Opp Drive End Bearing	BALL
Frame Material	Rolled Steel	Shaft Type	Single Special Extension
Overall Length	7.56 in	Frame Length	4.50 in
Shaft Diameter	0.375 in	Shaft Extension	1.12 in
Assembly/Box Mounting	F1 ONLY		
Outline Drawing	027930-G42	Connection Diagram	005010.01

This is an uncontrolled document once printed or downloaded and is subject to change without notice. Date Created: 10/15/2018



NOTE:-
1. GASKETS THROUGHOUT.

FRAME	"C"	"L"	"AD"
G42	7.56 [192.02]	3.53 [89.66]	2.72 [69.08]
H42	7.81 [198.37]	3.78 [96.01]	2.97 [75.43]
J42	8.06 [204.72]	4.03 [102.36]	3.22 [81.78]

DRAWING REVISION	REVISION BY	DATE
A		
ECO-0139851	APPROVED BY	DATE
ECO DESCRIPTION		
OUTLINE CONVERSION PROJECT		
<small>COPYRIGHT REGAL BELOIT AMERICA, INC. ALL RIGHTS RESERVED. PROPRIETARY AND CONFIDENTIAL INFORMATION - THIS DOCUMENT IS THE PROPERTY OF REGAL BELOIT AMERICA, INC. ("OWNER") AND CONTAINS OWNER'S PROPRIETARY INFORMATION. ANY PERSON, CORPORATION OR OTHER FIRM RECEIVING IT IS DEEMED, BY RECEIVING IT, TO AGREE THAT IT, AND/OR ANY PART OF IT, SHALL NOT BE DISCLOSED TO ANY PERSON, CORPORATION OR OTHER ENTITY, DUPLICATED, AND/OR USED, EXCEPT AS EXPRESSLY APPROVED IN WRITING IN ADVANCE BY OWNER. THIS DOCUMENT SHALL BE RETURNED TO OWNER UPON REQUEST. IT MAY BE SUBJECT TO CERTAIN RESTRICTIONS UNDER APPLICABLE EXPORT CONTROL LAWS AND REGULATIONS.</small>		

TOLERANCES UNLESS OTHERWISE SPECIFIED:
DEC. INCH -mm ANGLE
.X ±0.1 [+2.5] ±0.5°
.XX ±0.01 [+0.25]
.XXX ±0.005 [+0.127]
.XXX ±0.005 [+0.0127]
REMOVE BURRS & BREAK SHARP
EDGES: .003/.015 [0.076/.381] X 45°
CORNER FILLETS: R.02 [.51]
MACHINED SURFACES: 125/3.2
mm SHOWN IN [BRACKETS] INCH

DRAWN BY	DATE
A SUPPANAVAR	12/05/2017
APPROVED BY	DATE
PK	02/15/2018
REFERENCE	THIRD ANGLE PROJECTION
027516	

REGAL™ Regal Beloit America, Inc.

DESCRIPTION: **OUTLINE**
42 FRAME -RIGID T.E.N.V.

MATERIAL: _____ PROCESS/FINISH: STANDARD

SIZE: **B** DRAWING NUMBER: **027930** SHEET: 1 OF 1

005010-01

VIEW FROM OUTSIDE OF MOTOR AT SWITCH END.



VOLTAGE	L1	L2	L3	JOIN & INSULATE
HIGH	T1	T2	T3	(T4,T7) (T5,T8) (T6,T9)
LOW	T1,T7	T2,T8	T3,T9	T4,T5,T6

				TOLERANCES UNLESS SPECIFIED		Regal Beloit America, Inc.		DRAWN RDW 04/12/02				
				DEC.	INCHES			CHK				
				.X	±.1			APPD				
				.XX	±.01			SCALE 1=1				
				.XXX	±.005	TITLE		REF FIG.2-51				
A	UPDATED TO REGAL LOGO			SAJ	06/26/15	AJY	.XXXX	±.0005	MAT'L. DECAL - 004014	FMF		
NO.	REVISION			BY & DATE	CHK	ANG	±1/2"	FINISH	PREV			
THIS DRAWING IN DESIGN AND DETAIL IS OUR PROPERTY AND MUST NOT BE USED EXCEPT IN CONNECTION WITH OUR WORK ALL RIGHTS OF DESIGN AND INVENTION ARE RESERVED THIS IS AN ELECTRONICALLY GENERATED DOCUMENT - DO NOT SCALE THIS PRINT				RFP	04/12/02		CAD FILE	00501001		SIZE	DRAWING NO.	REV.
				DIST	BRF-NLV				A	005010-01		A