

PRODUCT INFORMATION PACKET



Model No: C42C17NB1H

Catalog No: 092012.00

1/6HP..1725RPM.NAN.TENV.115/208-230V.1PH.60HZ.CONT.NOT.40C.1.0SF.RIGID.GENERAL
PURPOSE.C42C17NB1H

Totally Enclosed Non-Ventilated (TENV)



Regal and Leeson are trademarks of Regal Beloit Corporation or one of its affiliated companies.

©2018 Regal Beloit Corporation, All Rights Reserved. MC017097E





Nameplate Specifications

Output HP	0.17 Hp	Output KW	0.01 kW
Frequency	60 Hz	Voltage	115/208-230 V
Current	3.6/1.8 A	Speed	1725 rpm
Service Factor	1	Phase	1
Efficiency	56 %	Duty	Continuous
Insulation Class	B	Design Code	NO DESIGN CODE
KVA Code	N	Frame	42
Enclosure	Totally Enclosed Non Ventilated	Overload Protector	No
Ambient Temperature	40 °C	Drive End Bearing Size	6203
Opp Drive End Bearing Size	6203	UL	Recognized
CSA	Y	CE	N
IP Code	43		

Technical Specifications

Electrical Type	Capacitor Start Induction Run	Starting Method	Across The Line
Poles	4	Rotation	Selective Counterclockwise
Mounting	Rigid base	Motor Orientation	HORIZONTAL
Drive End Bearing	BALL	Opp Drive End Bearing	BALL
Frame Material	Rolled Steel	Shaft Type	Single Special Extension
Overall Length	10.31 in	Frame Length	7.50 in
Shaft Diameter	0.375 in	Shaft Extension	1.12 in
Assembly/Box Mounting	F1 ONLY		
Outline Drawing	027516-V42	Connection Diagram	005312.01

This is an uncontrolled document once printed or downloaded and is subject to change without notice. Date Created: 10/15/2018

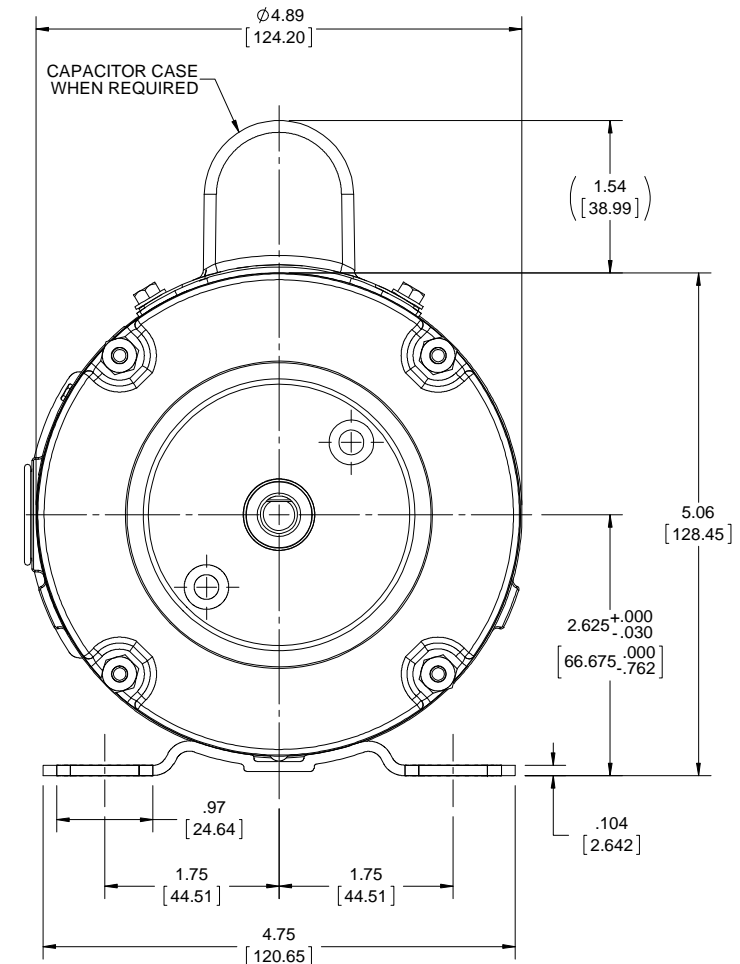
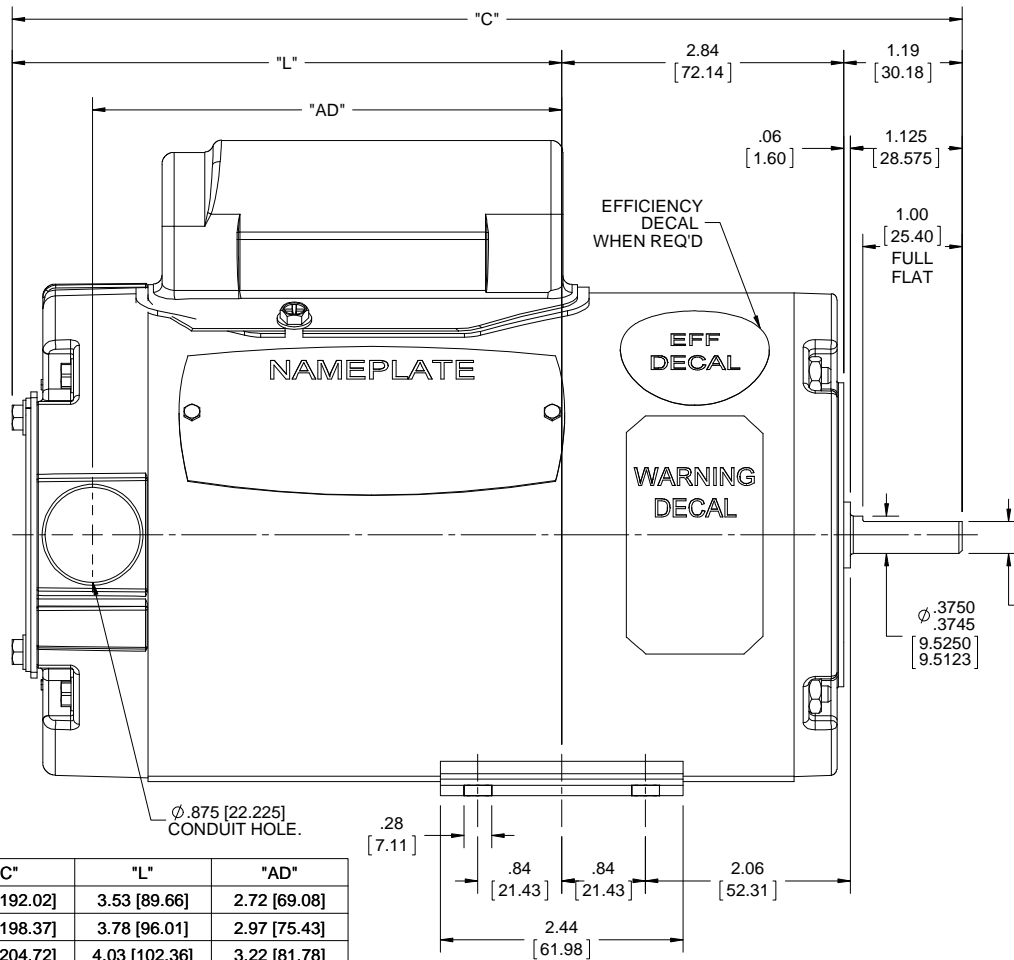
4

3

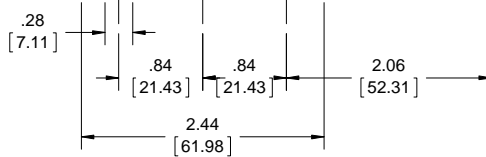
Uncontrolled Copy

2

1



FRAME	"C"	"L"	"AD"
G42	7.56 [192.02]	3.53 [89.66]	2.72 [69.08]
H42	7.81 [198.37]	3.78 [96.01]	2.97 [75.43]
J42	8.06 [204.72]	4.03 [102.36]	3.22 [81.78]
K42	8.31 [211.07]	4.28 [108.71]	3.47 [88.13]
L42	8.56 [217.42]	4.53 [115.06]	3.72 [94.48]
M42	8.81 [223.77]	4.78 [121.41]	3.97 [100.83]
N42	9.06 [230.12]	5.03 [127.76]	4.22 [107.18]
P42	9.31 [236.47]	5.28 [134.11]	4.47 [113.53]
R42	9.56 [242.82]	5.53 [140.46]	4.72 [119.88]
T42	9.81 [249.17]	5.78 [146.81]	4.97 [126.23]
U42	10.06 [255.52]	6.03 [153.16]	5.22 [132.58]
UV42	10.31 [261.87]	6.28 [159.51]	5.47 [138.93]
V42	10.56 [268.46]	6.53 [165.86]	5.72 [145.28]



NOTE:-
1) GASKETS THROUGHOUT.

DRAWING REVISION D	REVISION BY A.SUPPANAVAR	DATE 02/02/2018
ECO ECO-0143018	APPROVED BY PK	DATE 04/10/2018
ECO DESCRIPTION OUTLINE CONVERSION PROJECT		
<small>COPYRIGHT REGAL BELOIT AMERICA, INC. ALL RIGHTS RESERVED. PROPRIETARY AND CONFIDENTIAL INFORMATION - THIS DOCUMENT IS THE PROPERTY OF REGAL BELOIT AMERICA, INC. (OWNER) AND CONTAINS OWNER'S PROPRIETARY INFORMATION. ANY PERSON, CORPORATION OR OTHER FIRM RECEIVING IT IS DEEMED, BY RECEIVING IT, TO AGREE THAT IT, AND/OR ANY PART OF IT, SHALL NOT BE DISCLOSED TO ANY PERSON, CORPORATION OR OTHER ENTITY, DUPLICATED, AND/OR USED, EXCEPT AS EXPRESSLY APPROVED IN WRITING IN ADVANCE BY OWNER. THIS DOCUMENT SHALL BE RETURNED TO OWNER UPON REQUEST. IT MAY BE SUBJECT TO CERTAIN RESTRICTIONS UNDER APPLICABLE EXPORT CONTROL LAWS AND REGULATIONS.</small>		

TOLERANCES UNLESS OTHERWISE SPECIFIED:			
DEC.	INCH	mm	ANGLE
.X	+0.1	[+2.5]	±0.5°
.XX	+0.01	[+0.25]	
.XXX	+0.005	[+0.127]	
.XXXX	+0.0005	[±0.0127]	
REMOVE BURRS & BREAK SHARP EDGES: .003/.015 [0.076/.381] X 45°			
CORNER FILLETS: R.02 [51]			
MACHINED SURFACES: 125/3.2			
mm SHOWN IN [BRACKETS]			

DRAWN BY RT	DATE 09/05/89
APPROVED BY DJW	DATE 09/05/89
REFERENCE 027516	THIRD ANGLE PROJECTION

Regal Beloit America, Inc.	
DESCRIPTION OUTLINE 42 FRAME RIGID-T.E.N.V.	
MATERIAL	PROCESS/FINISH STANDARD
SIZE B	DRAWING NUMBER 027516
SHEET 1 OF 1	

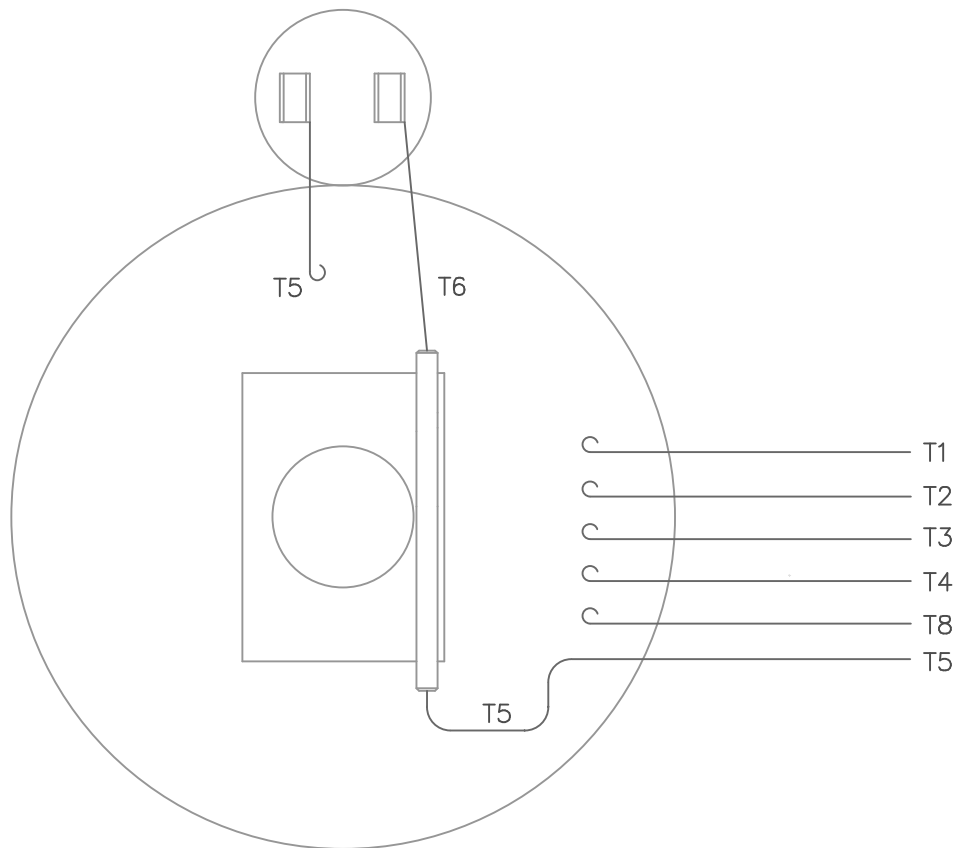
4

3

2

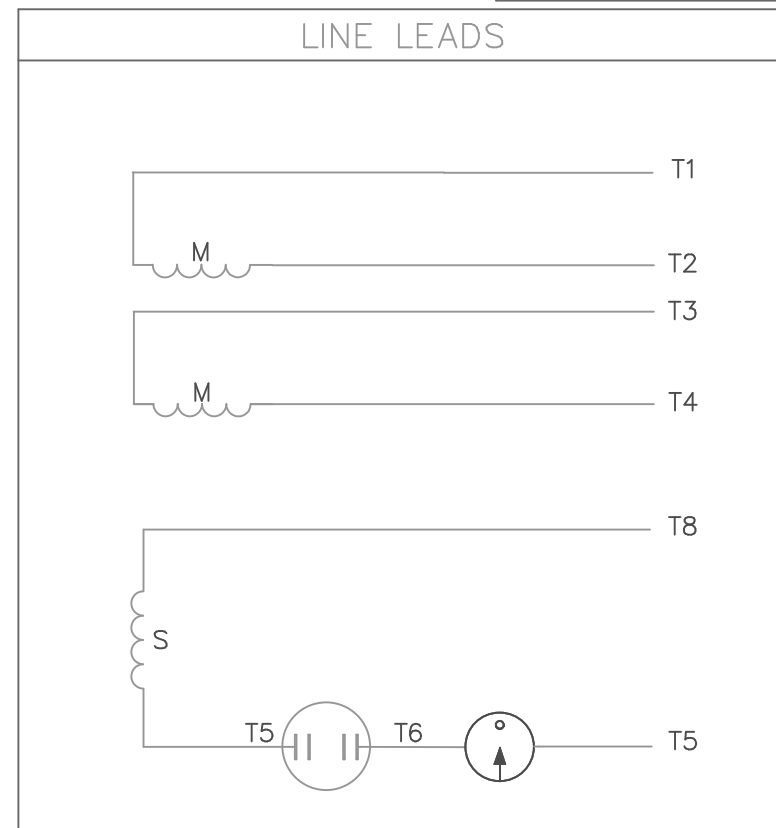
1

VIEW FROM OUTSIDE OF MOTOR AT SWITCH END.



ALL CONNECTIONS ON STATIONARY SWITCH ARE SOLDERED

GEARMOTORS
2-STAGE REF. DECAL 004012
3-STAGE REF. DECAL 081062



	ROTATION FACING LEAD END	L1	L2	JOIN
HIGH VOLT	C.C.W.	T1	T4 T5	T2, T3 T8
	C.W.	T1	T4 T8	T2, T3 T5
LOW VOLT	C.C.W.	T1, T3 T8	T2, T4 T5	---
	C.W.	T1, T3 T5	T2, T4 T8	---

06	ADDED GEARMOTOR NOTE	KMM	04/04/02	TOLERANCES UNLESS OTHERWISE SPECIFIED	
05	UPDATED TO CURRENT STANDARDS	MDN	2/16/00	DECIMALS	
04	ADDED PAGE 6	PG	4/5/94	.00	± .01
03	ADDED PAGE 4 AND 5	MJS	4/7/93	.000	± .005
02	CHANGED TO SOLDERED LEADS	KAZ	7/2/92	.0000	± .0005
01	ADDED PAGE 2 AND 3	DLL	8/23/90	FRACTIONS	± 1/64
NO.	REVISION	BY	DATE	ANGLES	± 1/2°
THIS DRAWING IN DESIGN AND DETAIL IS OUR PROPERTY AND MUST NOT BE USED EXCEPT IN CONNECTION WITH OUR WORK ALL RIGHTS OF DESIGN AND INVENTION ARE RESERVED				INCH/MM	

LEESON ELECTRIC CORPORATION

DRAWN	GS 8/14/89	TITLE	EXT. WIRING DIAGRAM
CH'K'D.	DLL 8/22/89	TYPE "C" W/O PROTECTOR	
APPR.	DJW 8/22/89	MAT'L.	42 - FRAME
SCALE	1=1	DECAL - 004012	
REF.	005005-19	FINISH	STANDARD
FMF		SIZE	A
		DRAWING NO.	005312-01

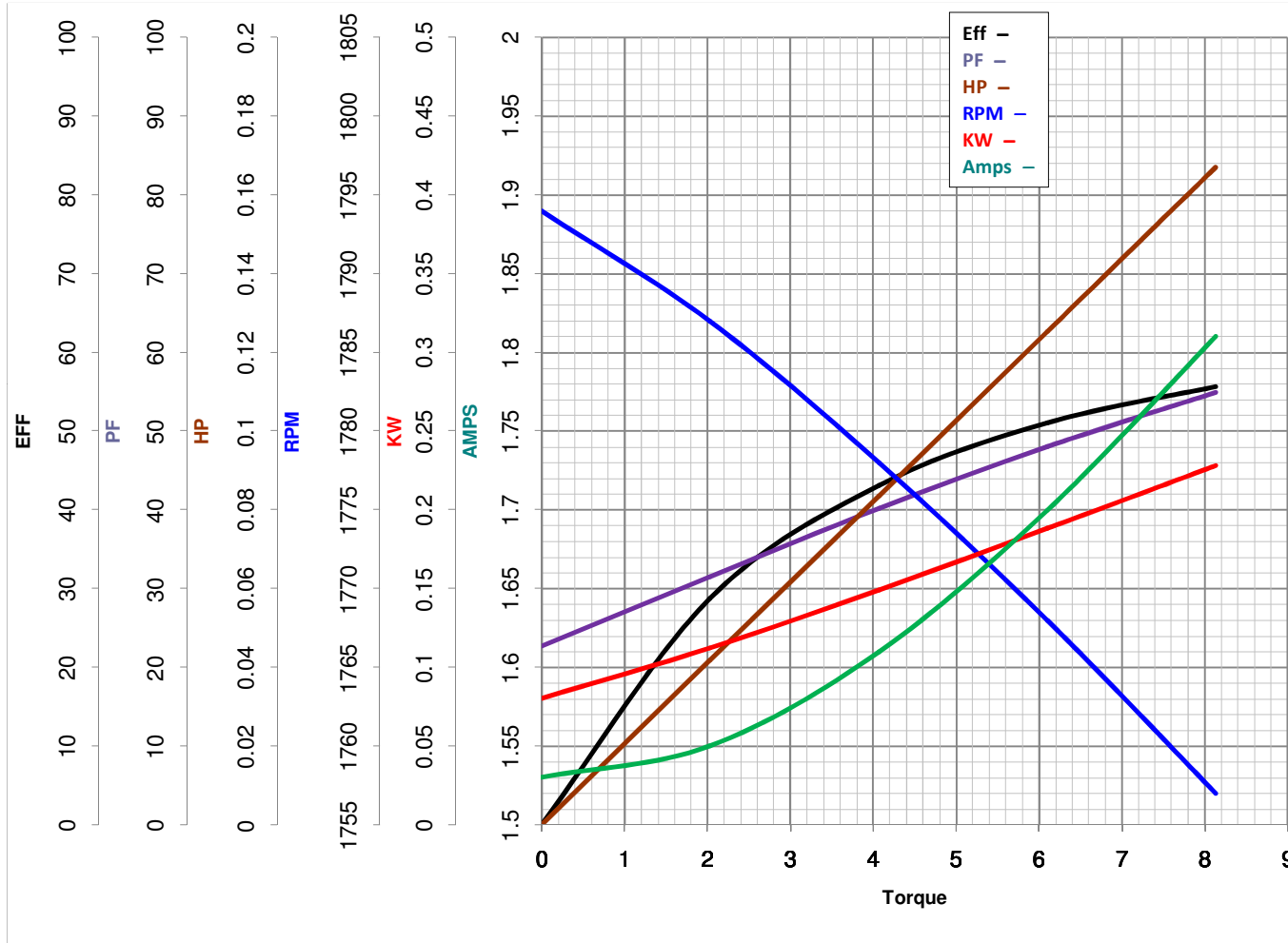


LEESON ELECTRIC CORPORATION
TYPICAL PERFORMANCE CURVE for AC MOTOR

Model No 092012.00

Catalog No 092012.00

Curve at 230 Volts HP 0.17 PHASE 1
60 HZ
0.167 HP VOLTS 115/208-230
HZ 60 RPM 1725



Torque in Oz.Ft

FL TORQUE 8.13 Oz.Ft
BD TORQUE 18.3 Oz.Ft
LR TORQUE 22.1 Oz.Ft

FL AMPS 3.6/1.8
PU TORQUE 16.7 Oz.Ft
LR AMPS 7.58

WINDING C47412-3

Date 4/11/2018