



GE INDUSTRIAL MOTORS
a **WOLONG** company

Product Information Packet

July 19, 2023

Data shown is for the current revision model #. Ensure your nameplate model # matches.

Model Number:	5KS286BWV205
Catalog Number:	WV020
Instruction Manual:	
Connection Diagram:	
Outline Drawing:	

Accessory Connection Diagrams			
Bearing Thermocouple:	None	Heater:	None
RTD:	None	Thermistor:	None
Thermostat:	None	Winding Thermocouple:	None
Bearing RTD:	None		

Table of Contents	
Specification	01
Performance Characteristics	02
Outline Drawing	03
Connection Drawing(s)	04

Marks:

MODEL NUMBER: 5KS286BWV205
Outline Drawing:
Connection Diagram:
Instruction Book:
Design Code: B
Type: KS
Frame: 286T
Phases: 3
Poles: 4
Output Power: 30HP
RPM: 1775
Voltage: 230/460
Hertz: 60
Amps - FL: 68.6/34.3
Service Factor: 1.25@60Hz
Alt Service Factor: 1.0

Estimated Weight: 368 Lbs
Time Rating: S1
Enclosure: TEFC
Encl Construction: GP
Ambient Max(°C): 40
Alt Ambient Max(°C): 40
Insulation Class: F
NEMA Design: B
Nominal Efficiency: 93.6 %
Guaranteed Efficiency: 92.4 %
3/4 Load Efficiency: 94.5 %
KVA Code: K
Max KVAR:
Power Factor: 86%
Bearing - DE: 6310-ZZC3
Bearing - ODE: 6308-ZZC3

Enclosure is Totally Enclosed Fan-Cooled

Stamped Nameplate Notes:**Additional Information:**

ROTATION:CCW VIEWED FROM DE



GE INDUSTRIAL MOTORS
 a **WOLONG** company

Performance Characteristics

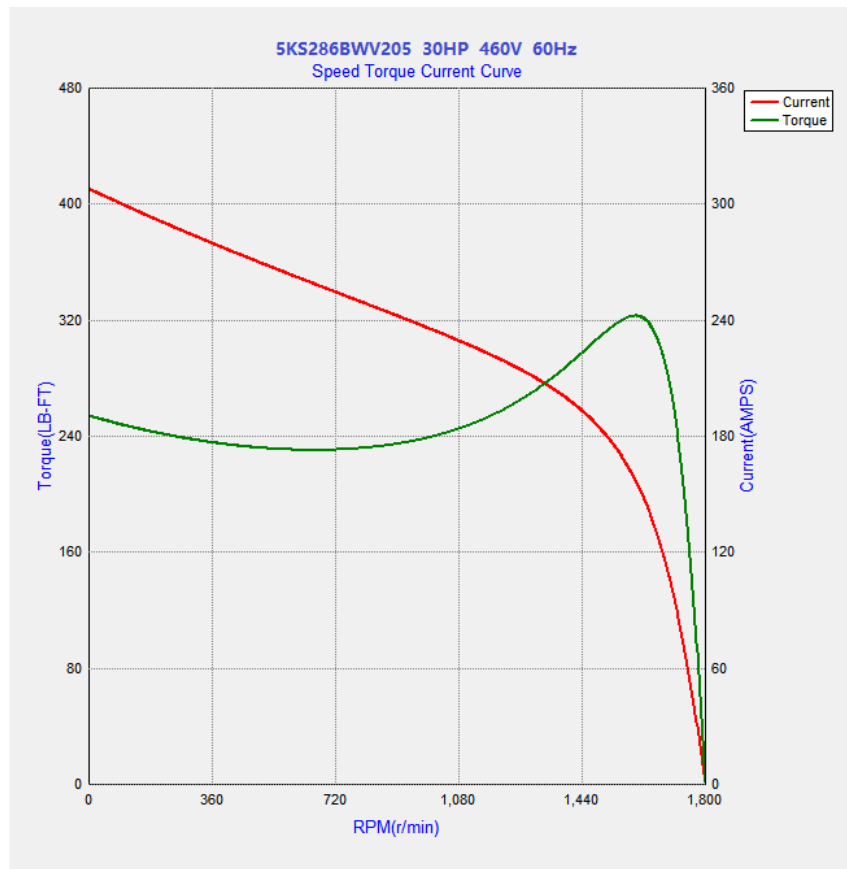
Marks:

LOAD %	150.0	125.0	100.0	75.0	50.0	25.0
% EFF	93.28	93.94	94.39	94.50	93.87	90.63
% PF	88.23	87.66	85.55	80.67	70.60	50.14
AMPS(460V)	50.33	41.92	34.20	27.17	20.83	15.19

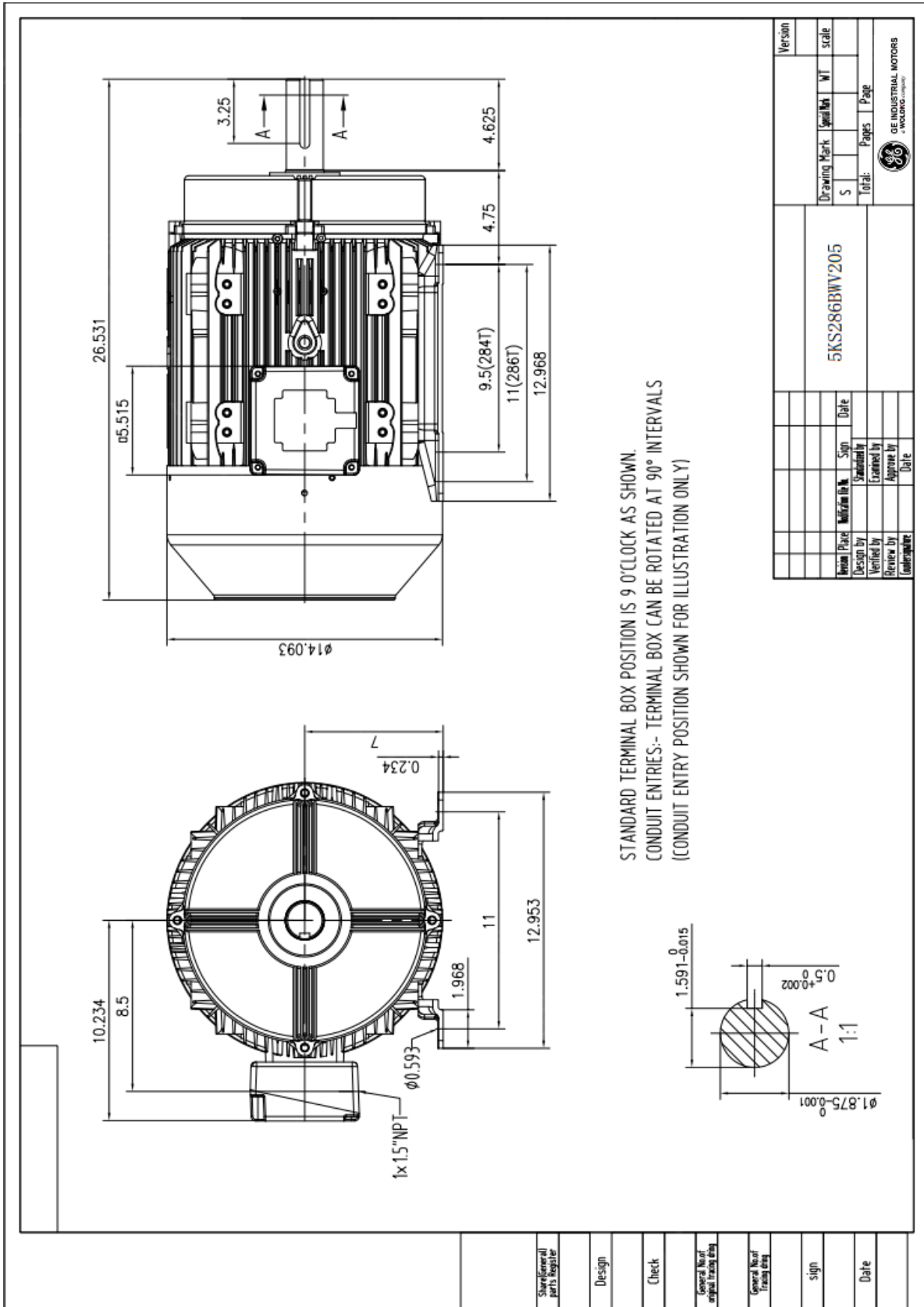
TORQUE(FL) LB-FT 118.37 TORQUE(LR)%FL 211 TORQUE(BD)%FL 360
 AMPS(LR 460V) 384 PF AT START

Other Useful Information for Application:

Rotor Inertia: Lb-Ft ² (Kg-m ²):	0.271(0.2)
Max load inertia: Lb-Ft ² (Kg-m ²):	
Load Type:	Square Torque/Speed Characteristic
Voltage:	
Number of starts per hour:	2 Cold or 1 Hot
Acceleration Time with maximum inertia (sec):	
Safe stall time (sec): Cold/Hot	27/11



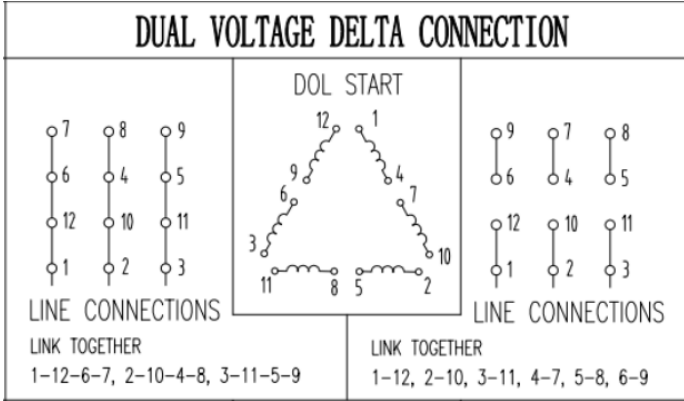
Place GE's Outline drawing



GE INDUSTRIAL MOTORS
 a WOLONG company

Marks:

Connection Diagram
GEM2034E-FIG3



Thermistor Connection
235A3027VD

