



GE INDUSTRIAL MOTORS
a WOLONG company

Product Information Packet

July 19, 2023

Data shown is for the current revision model #. Ensure your nameplate model # matches.

| | |
|----------------------------|---------------------|
| Model Number: | 5KS286BWV115 |
| Catalog Number: | WV019 |
| Instruction Manual: | |
| Connection Diagram: | |
| Outline Drawing: | |

| Accessory Connection Diagrams | | | |
|--------------------------------------|------|------------------------------|------|
| Bearing Thermocouple: | None | Heater: | None |
| RTD: | None | Thermistor: | None |
| Thermostat: | None | Winding Thermocouple: | None |
| Bearing RTD: | None | | |

Table of Contents

| | |
|-----------------------------|----|
| Specification | 01 |
| Performance Characteristics | 02 |
| Outline Drawing | 03 |
| Connection Drawing(s) | 04 |

Marks:

MODEL NUMBER: 5KS286BWV115
Outline Drawing:
Connection Diagram:
Instruction Book:
Design Code: B
Type: KS
Frame: 286TS
Phases: 3
Poles: 2
Output Power: 30HP
RPM: 3560
Voltage: 230/460
Hertz: 60
Amps - FL: 66.9/33.5
Service Factor: 1.25@60Hz
Alt Service Factor: 1.0

Estimated Weight: 368 Lbs
Time Rating: S1
Enclosure: TEFC
Encl Construction: GP
Ambient Max(°C): 40
Alt Ambient Max(°C): 40
Insulation Class: F
NEMA Design: B
Nominal Efficiency: 91.7 %
Guaranteed Efficiency: 90.2 %
3/4 Load Efficiency: 91.2 %
KVA Code: F
Max KVAR:
Power Factor: 90%
Bearing - DE: 6310-ZZC3
Bearing - ODE: 6308-ZZC3

Enclosure is Totally Enclosed Fan-Cooled

Stamped Nameplate Notes:**Additional Information:**

ROTATION:CCW VIEWED FROM DE



GE INDUSTRIAL MOTORS
 a **WOLONG** company

Performance Characteristics

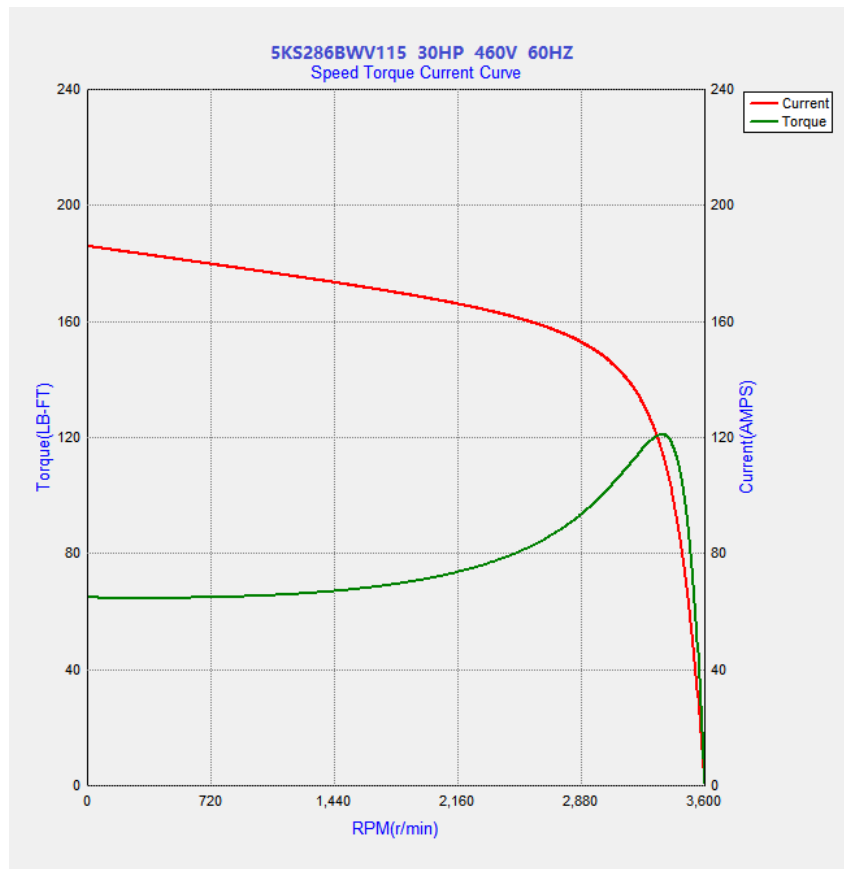
Marks:

| LOAD % | 150.0 | 125.0 | 100.0 | 75.0 | 50.0 | 25.0 |
|------------|-------|-------|-------|-------|-------|-------|
| % EFF | 88.61 | 89.92 | 91.71 | 91.25 | 90.45 | 85.73 |
| % PF | 87.84 | 88.71 | 88.89 | 87.42 | 82.09 | 66.61 |
| AMPS(460V) | 53.21 | 43.27 | 33.85 | 25.96 | 18.59 | 12.09 |

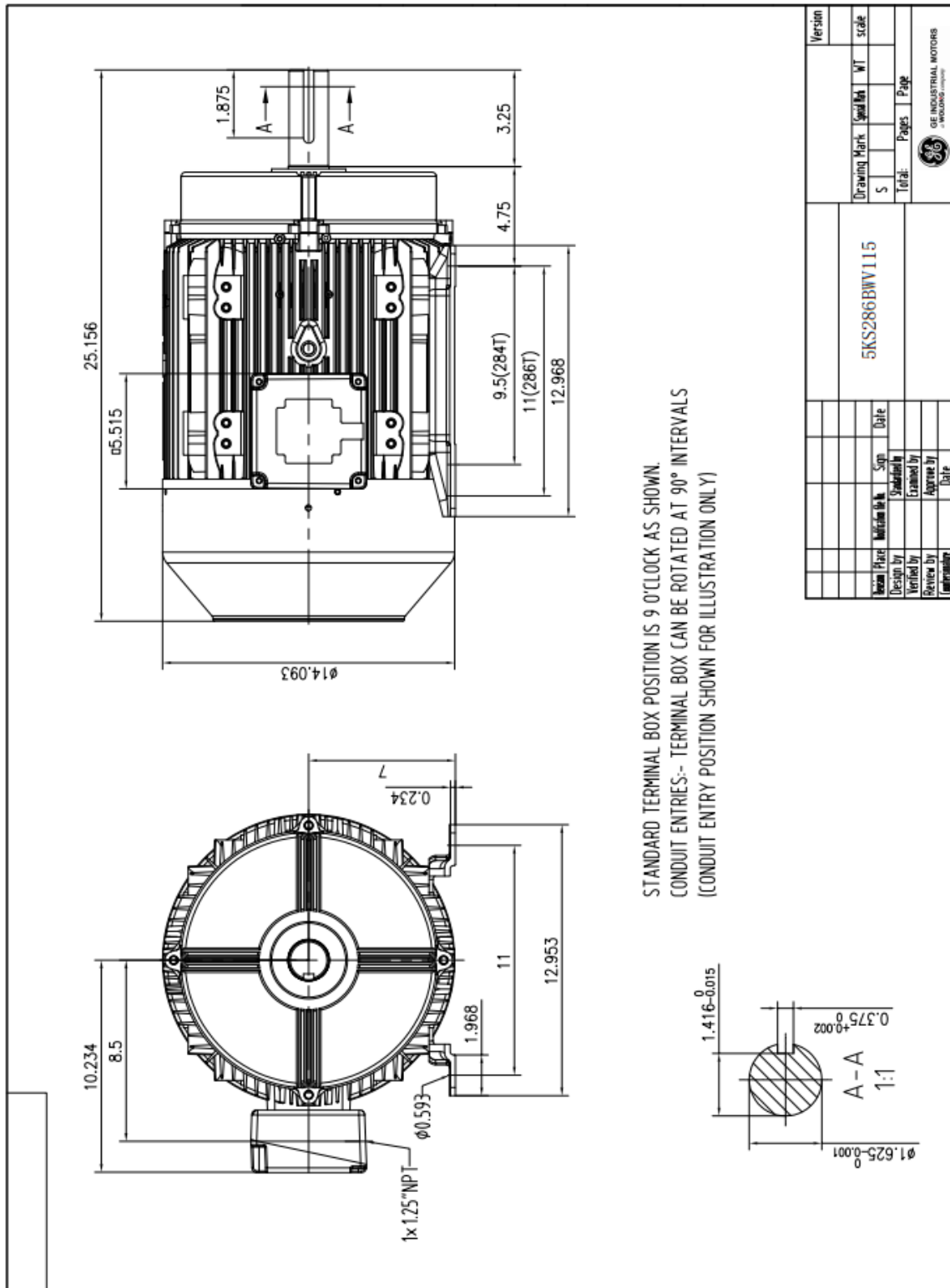
TORQUE(FL) LB-FT 59.02 TORQUE(LR)%FL 150 TORQUE(BD)%FL 276
 AMPS(LR 460V) 211 PF AT START

Other Useful Information for Application:

| | |
|--|------------------------------------|
| Rotor Inertia: Lb-Ft ² (Kg-m ²): | 0.1247(0.092) |
| Max load inertia: Lb-Ft ² (Kg-m ²): | |
| Load Type: | Square Torque/Speed Characteristic |
| Voltage: | |
| Number of starts per hour: | 2 Cold or 1 Hot |
| Acceleration Time with maximum inertia (sec): | |
| Safe stall time (sec): Cold/Hot | 55/22 |



Place GE's Outline drawing



| | |
|--|-------|
| Version | |
| Drawing Mark | Scale |
| S | WT |
| Total | Pages |
| GE INDUSTRIAL MOTORS a WOLONG company | |

| | | | | |
|-------------------|-------------|-----------------|-------|------|
| Design By | Checked By | Drawn By | Scale | Date |
| Reviewed By | Approved By | Manufactured By | | |
| Manufactured Date | | | | |

| | | | | | | |
|-------------------------|--------|-------|----------------------------------|---------------------------------|------|------|
| Standard parts Register | Design | Check | General Note of original drawing | General Note of tracing drawing | sign | Date |
|-------------------------|--------|-------|----------------------------------|---------------------------------|------|------|



GE INDUSTRIAL MOTORS
 a WOLONG company

Marks:

Connection Diagram
GEM2034E-FIG3

Thermistor Connection
235A3027VD

