



**GE INDUSTRIAL MOTORS**  
*a WOLONG company*

# Product Information Packet

July 19, 2023

**Data shown is for the current revision model #. Ensure your nameplate model # matches.**

<b>Model Number:</b>	<b>5KS284BWV205</b>
<b>Catalog Number:</b>	<b>WV018</b>
<b>Instruction Manual:</b>	
<b>Connection Diagram:</b>	
<b>Outline Drawing:</b>	

<b>Accessory Connection Diagrams</b>			
<b>Bearing Thermocouple:</b>	None	<b>Heater:</b>	None
<b>RTD:</b>	None	<b>Thermistor:</b>	None
<b>Thermostat:</b>	None	<b>Winding Thermocouple:</b>	None
<b>Bearing RTD:</b>	None		

## Table of Contents

Specification	01
Performance Characteristics	02
Outline Drawing	03
Connection Drawing(s)	04

**Marks:**

**MODEL NUMBER:** 5KS284BWV205  
**Outline Drawing:**  
**Connection Diagram:**  
**Instruction Book:**  
**Design Code:** B  
**Type:** KS  
**Frame:** 284T  
**Phases:** 3  
**Poles:** 4  
**Output Power:** 25HP  
**RPM:** 1770  
**Voltage:** 230/460  
**Hertz:** 60  
**Amps - FL:** 57.0/28.5  
**Service Factor:** 1.25@60Hz  
**Alt Service Factor:** 1.0

**Estimated Weight:** 315 Lbs  
**Time Rating:** S1  
**Enclosure:** TEFC  
**Encl Construction:** GP  
**Ambient Max(°C):** 40  
**Alt Ambient Max(°C):** 40  
**Insulation Class:** F  
**NEMA Design:** B  
**Nominal Efficiency:** 93.6 %  
**Guaranteed Efficiency:** 92.4 %  
**3/4 Load Efficiency:** 93.81 %  
**KVA Code:** H  
**Max KVAR:**  
**Power Factor:** 87%  
**Bearing - DE:** 6310-ZZC3  
**Bearing - ODE:** 6308-ZZC3

**Enclosure is Totally Enclosed Fan-Cooled**

---

**Stamped Nameplate Notes:****Additional Information:**

ROTATION:CCW VIEWED FROM DE



**GE INDUSTRIAL MOTORS**  
*a WOLONG company*

**Performance Characteristics**

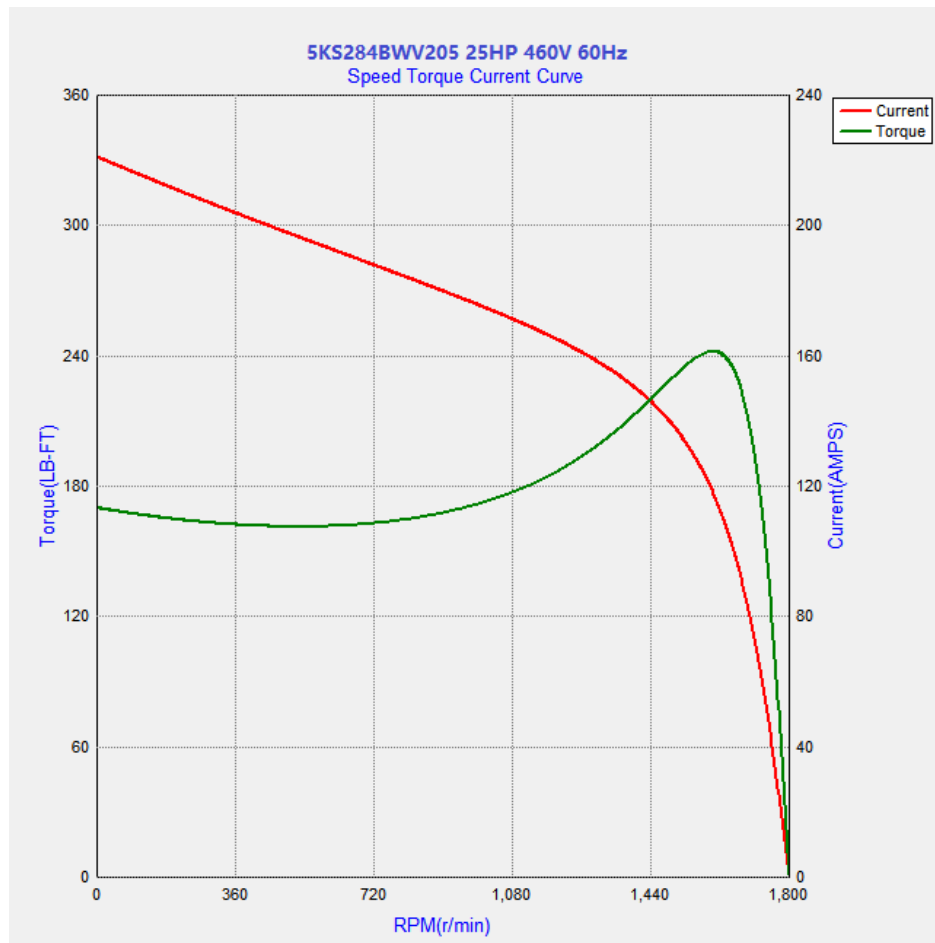
**Marks:**

LOAD %	150.0	125.0	100.0	75.0	50.0	25.0
% EFF	92.24	93.04	93.61	93.81	93.19	89.71
% PF	88.91	88.78	87.39	83.60	75.04	55.91
AMPS(460V)	42.47	35.14	28.39	22.21	16.60	11.58

TORQUE(FL) LB-FT      99.8    TORQUE(LR)%FL      225    TORQUE(BD)%FL      323  
 AMPS(LR 460V)      284    PF AT START

**Other Useful Information for Application:**

Rotor Inertia: Lb-Ft <sup>2</sup> (Kg-m <sup>2</sup> ):	0.2304(0.17)
Max load inertia: Lb-Ft <sup>2</sup> (Kg-m <sup>2</sup> ):	
Load Type:	Square Torque/Speed Characteristic
Voltage:	
Number of starts per hour:	2 Cold or 1 Hot
Acceleration Time with maximum inertia (sec):	
Safe stall time (sec): Cold/Hot	38/15



### Place GE's Outline drawing

STANDARD TERMINAL BOX POSITION IS 9 O'CLOCK AS SHOWN.  
 CONDUIT ENTRIES- TERMINAL BOX CAN BE ROTATED AT 90° INTERVALS  
 (CONDUIT ENTRY POSITION SHOWN FOR ILLUSTRATION ONLY)

Serial/General parts Register	Design	Check	General Part of engine (check only)	General Part of (check only)	Sign	Date
-------------------------------	--------	-------	-------------------------------------	------------------------------	------	------

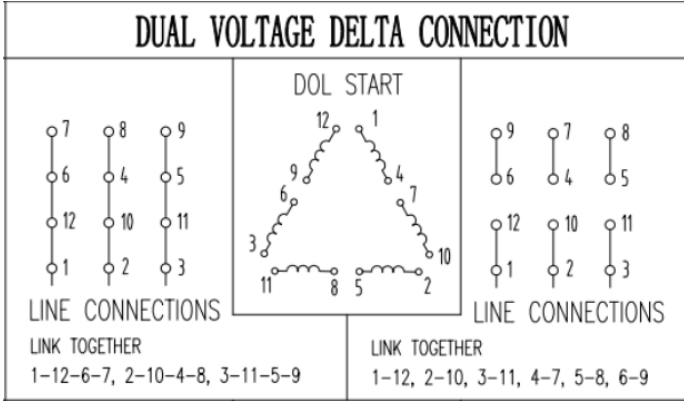
Revision	Drawing Mark	Sheet No.	WT	Scale
	S			
Total	Pages			

**GE INDUSTRIAL MOTORS**  
a **WOLONG** company



Marks:

**Connection Diagram**  
**GEM2034E-FIG3**



**Thermistor Connection**  
**235A3027VD**

