



**GE INDUSTRIAL MOTORS**  
*a WOLONG company*

# Product Information Packet

July 19, 2023

**Data shown is for the current revision model #. Ensure your nameplate model # matches.**

<b>Model Number:</b>	<b>5KS254BWV105</b>
<b>Catalog Number:</b>	<b>WV013</b>
<b>Instruction Manual:</b>	
<b>Connection Diagram:</b>	
<b>Outline Drawing:</b>	

<b>Accessory Connection Diagrams</b>			
<b>Bearing Thermocouple:</b>	None	<b>Heater:</b>	None
<b>RTD:</b>	None	<b>Thermistor:</b>	None
<b>Thermostat:</b>	None	<b>Winding Thermocouple:</b>	None
<b>Bearing RTD:</b>	None		

## Table of Contents

Specification	01
Performance Characteristics	02
Outline Drawing	03
Connection Drawing(s)	04

**Marks:**

**MODEL NUMBER:** 5KS254BWV105  
**Outline Drawing:**  
**Connection Diagram:**  
**Instruction Book:**  
**Design Code:** B  
**Type:** KS  
**Frame:** 254T  
**Phases:** 3  
**Poles:** 2  
**Output Power:** 15HP  
**RPM:** 3525  
**Voltage:** 230/460  
**Hertz:** 60  
**Amps - FL:** 33.4/16.7  
**Service Factor:** 1.25@60Hz  
**Alt Service Factor:** 1.0

**Estimated Weight:** 252 Lbs  
**Time Rating:** S1  
**Enclosure:** TEFC  
**Encl Construction:** GP  
**Ambient Max(°C):** 40  
**Alt Ambient Max(°C):** 40  
**Insulation Class:** F  
**NEMA Design:** B  
**Nominal Efficiency:** 91.0 %  
**Guaranteed Efficiency:** 89.5 %  
**3/4 Load Efficiency:** 92.64%  
**KVA Code:** G  
**Max KVAR:**  
**Power Factor:** 91%  
**Bearing - DE:** 6309-ZZC3  
**Bearing - ODE:** 6307-ZZC3

**Enclosure is Totally Enclosed Fan-Cooled**

---

**Stamped Nameplate Notes:****Additional Information:**

ROTATION:CCW VIEWED FROM DE



**Performance Characteristics**

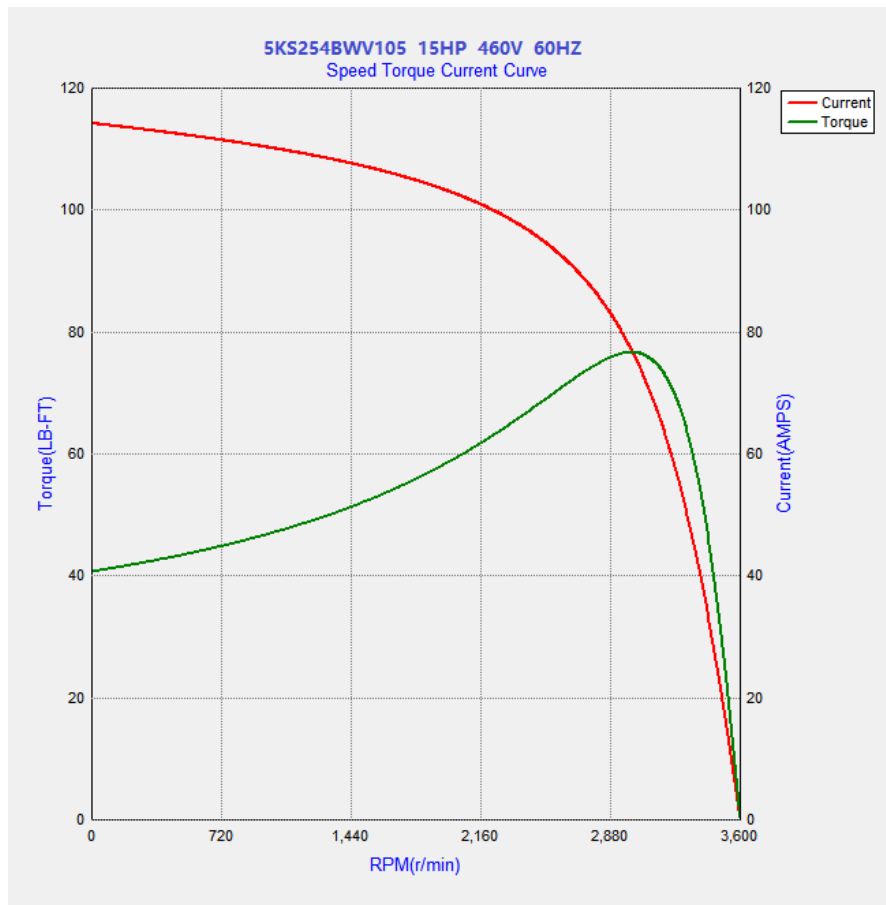
**Marks:**

LOAD %	150.0	125.0	100.0	75.0	50.0	25.0
% EFF	90.01	91.19	92.12	92.64	92.30	88.97
% PF	92.94	93.05	92.35	89.94	83.73	67.53
AMPS(460V)	24.76	20.34	16.23	12.43	8.94	5.75

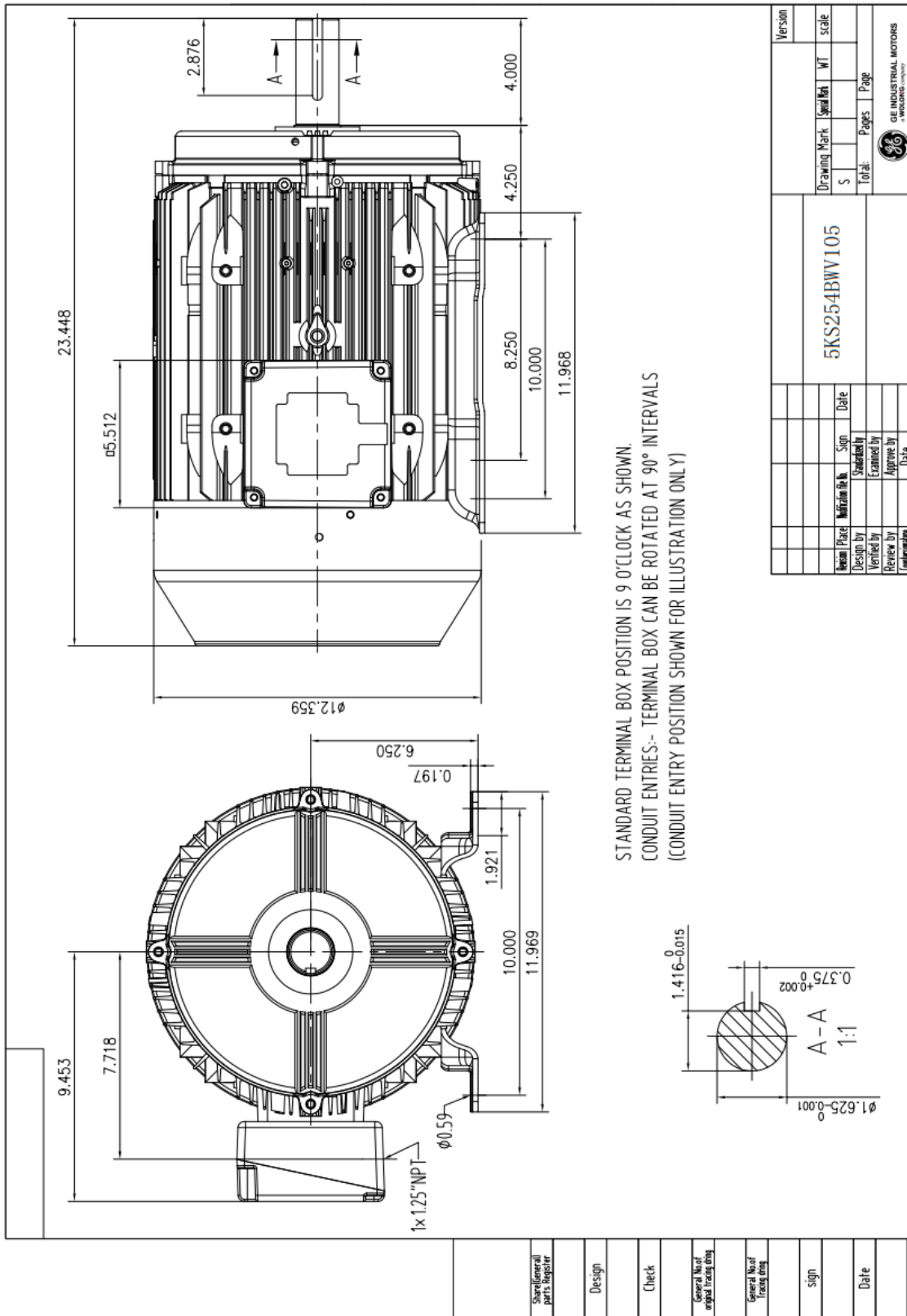
TORQUE(FL) LB-FT      29.67    TORQUE(LR)%FL      200    TORQUE(BD)%FL      350  
 AMPS(LR 460V)      267    PF AT START

**Other Useful Information for Application:**

Rotor Inertia: Lb-Ft <sup>2</sup> (Kg-m <sup>2</sup> ):	0.0623(0.046)
Max load inertia: Lb-Ft <sup>2</sup> (Kg-m <sup>2</sup> ):	
Load Type:	Square Torque/Speed Characteristic
Voltage:	
Number of starts per hour:	2 Cold or 1 Hot
Acceleration Time with maximum inertia (sec):	
Safe stall time (sec): Cold/Hot	34/14



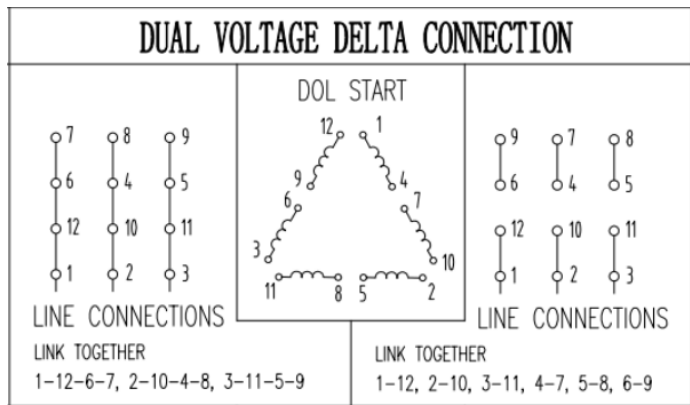
### Place GE's Outline drawing



**GE INDUSTRIAL MOTORS**  
 a WOLONG company

Marks:

**Connection Diagram**  
**GEM2034E-FIG3**



**Thermistor Connection**  
**235A3027VD**

