



**GE INDUSTRIAL MOTORS**  
*a WOLONG company*

# Product Information Packet

July 19, 2023

**Data shown is for the current revision model #. Ensure your nameplate model # matches.**

<b>Model Number:</b>	<b>5KS215BWV105</b>
<b>Catalog Number:</b>	<b>WV011</b>
<b>Instruction Manual:</b>	
<b>Connection Diagram:</b>	
<b>Outline Drawing:</b>	

<b>Accessory Connection Diagrams</b>			
<b>Bearing Thermocouple:</b>	None	<b>Heater:</b>	None
<b>RTD:</b>	None	<b>Thermistor:</b>	None
<b>Thermostat:</b>	None	<b>Winding Thermocouple:</b>	None
<b>Bearing RTD:</b>	None		

## Table of Contents

Specification	01
Performance Characteristics	02
Outline Drawing	03
Connection Drawing(s)	04

**Marks:**

**MODEL NUMBER:** 5KS215BWV105  
**Outline Drawing:**  
**Connection Diagram:**  
**Instruction Book:**  
**Design Code:** B  
**Type:** KS  
**Frame:** 213T  
**Phases:** 3  
**Poles:** 2  
**Output Power:** 10HP  
**RPM:** 3510  
**Voltage:** 230/460  
**Hertz:** 60  
**Amps - FL:** 22.9/11.5  
**Service Factor:** 1.25@60Hz  
**Alt Service Factor:** 1.0

**Estimated Weight:** 150 Lbs  
**Time Rating:** S1  
**Enclosure:** TEFC  
**Encl Construction:** GP  
**Ambient Max(°C):** 40  
**Alt Ambient Max(°C):** 40  
**Insulation Class:** F  
**NEMA Design:** B  
**Nominal Efficiency:** 90.2 %  
**Guaranteed Efficiency:** 88.5 %  
**3/4 Load Efficiency:** 90.5 %  
**KVA Code:** G  
**Max KVAR:**  
**Power Factor:** 91%  
**Bearing - DE:** 6208-ZZC3  
**Bearing - ODE:** 6208-ZZC3

**Enclosure is Totally Enclosed Fan-Cooled**

**Stamped Nameplate Notes:****Additional Information:**

ROTATION:CCW VIEWED FROM DE



**GE INDUSTRIAL MOTORS**  
 a **WOLONG** company

**Performance Characteristics**

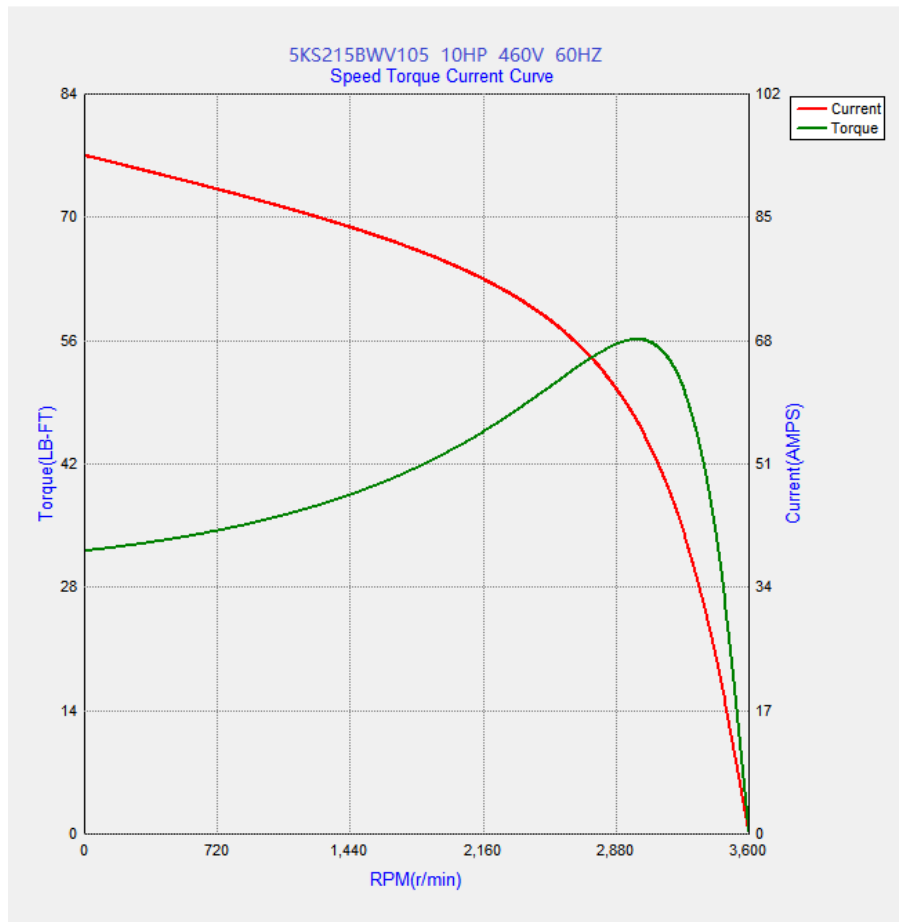
**Marks:**

LOAD %	150.0	125.0	100.0	75.0	50.0	25.0
% EFF	88.75	89.61	90.26	90.54	90.08	86.91
% PF	92.11	92.06	91.09	89.33	83.91	65.46
AMPS(460V)	17.3	14.3	11.5	8.73	6.23	4.14

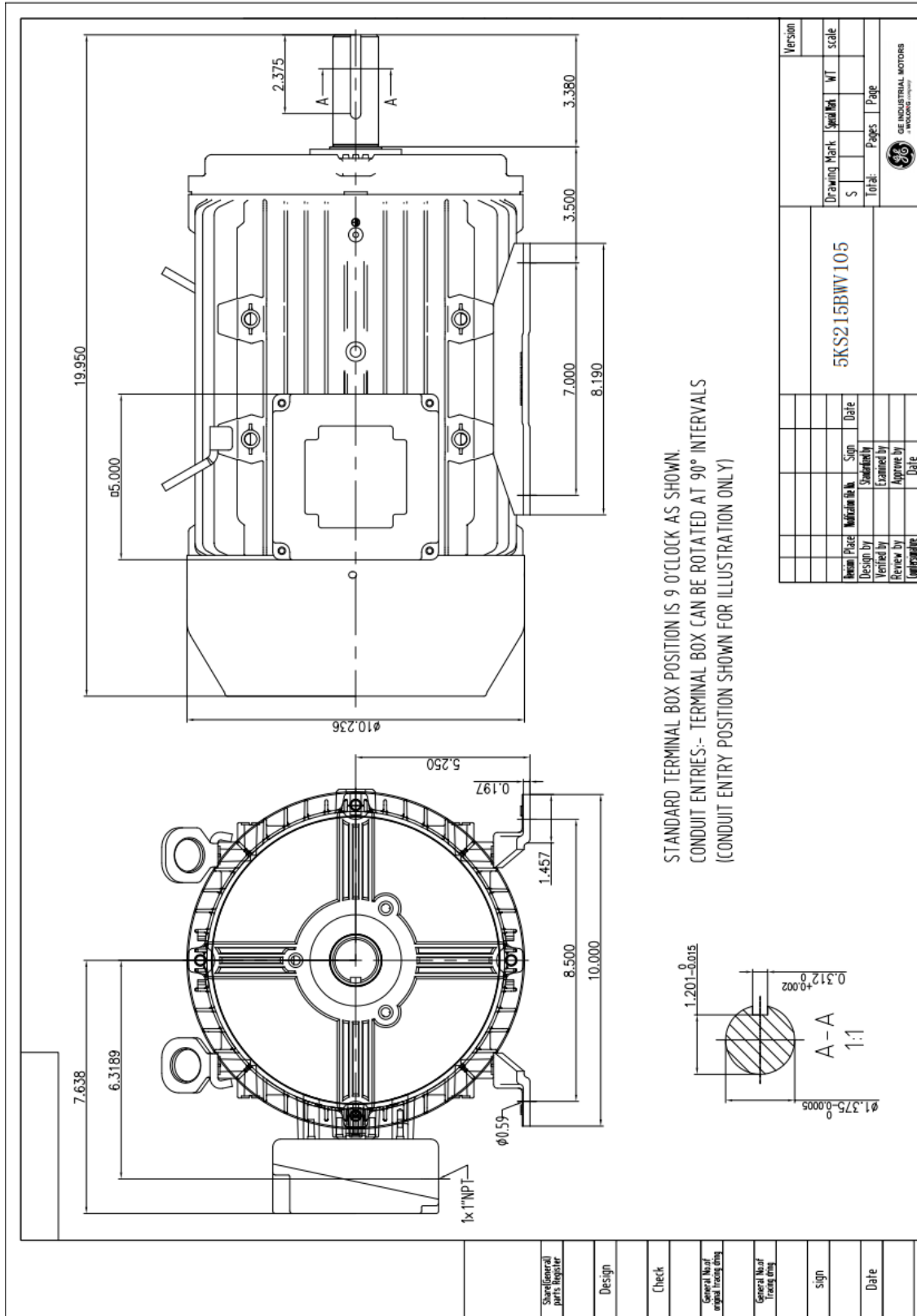
TORQUE(FL) LB-FT      20.4    TORQUE(LR)%FL      220    TORQUE(BD)%FL      370  
 AMPS(LR 460V)      97.8    PF AT START

**Other Useful Information for Application:**

Rotor Inertia: Lb-Ft <sup>2</sup> (Kg-m <sup>2</sup> ):	0.0244(0.018)
Max load inertia: Lb-Ft <sup>2</sup> (Kg-m <sup>2</sup> ):	
Load Type:	Square Torque/Speed Characteristic
Voltage:	
Number of starts per hour:	2 Cold or 1 Hot
Acceleration Time with maximum inertia (sec):	
Safe stall time (sec): Cold/Hot	23/9



# Place GE's Outline drawing



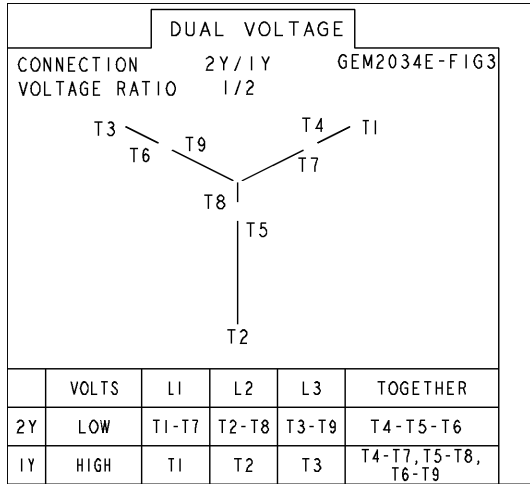
Version	
Drawing Mark	Scale
S	WT
Total	Pages
5KS215BWV105	
Design by	Sign
Verified by	Date
Reviewed by	Examined by
Manufactured	Approved by
	Date



**GE INDUSTRIAL MOTORS**  
 a **WOLONG** company

**Marks:**

**Connection Diagram**  
**GEM2034E-FIG3**



**Thermistor Connection**  
**235A3027VD**

