



GE INDUSTRIAL MOTORS
a **WOLONG** company

Product Information Packet

July 20, 2023

Data shown is for the current revision model #. Ensure your nameplate model # matches.

Model Number:	5KS145BWV205
Catalog Number:	WV004
Instruction Manual:	
Connection Diagram:	
Outline Drawing:	

Accessory Connection Diagrams			
Bearing Thermocouple:	None	Heater:	None
RTD:	None	Thermistor:	None
Thermostat:	None	Winding Thermocouple:	None
Bearing RTD:	None		

Table of Contents

Specification	01
Performance Characteristics	02
Outline Drawing	03
Connection Drawing(s)	04

Marks:

MODEL NUMBER: 5KS145BWV205
Outline Drawing:
Connection Diagram:
Instruction Book:
Design Code: B
Type: KS
Frame: 145T
Phases: 3
Poles: 4
Output Power: 2HP
RPM: 1735
Voltage: 230/460
Hertz: 60
Amps - FL: 5.31/2.65
Service Factor: 1.25@60Hz
Alt Service Factor: 1.0

Estimated Weight: 42 Lbs
Time Rating: S1
Enclosure: TEFC
Encl Construction: GP
Ambient Max(°C): 40
Alt Ambient Max(°C): 40
Insulation Class: F
NEMA Design: B
Nominal Efficiency: 86.5 %
Guaranteed Efficiency: 84.0 %
3/4 Load Efficiency: 86.9 %
KVA Code: K
Max KVAR:
Power Factor: 82%
Bearing - DE: 6205-ZZC3
Bearing - ODE: 6203-ZZC3

Enclosure is Totally Enclosed Fan-Cooled

Stamped Nameplate Notes:**Additional Information:**

ROTATION:CCW VIEWED FROM DE



GE INDUSTRIAL MOTORS
 a **WOLONG** company

Performance Characteristics

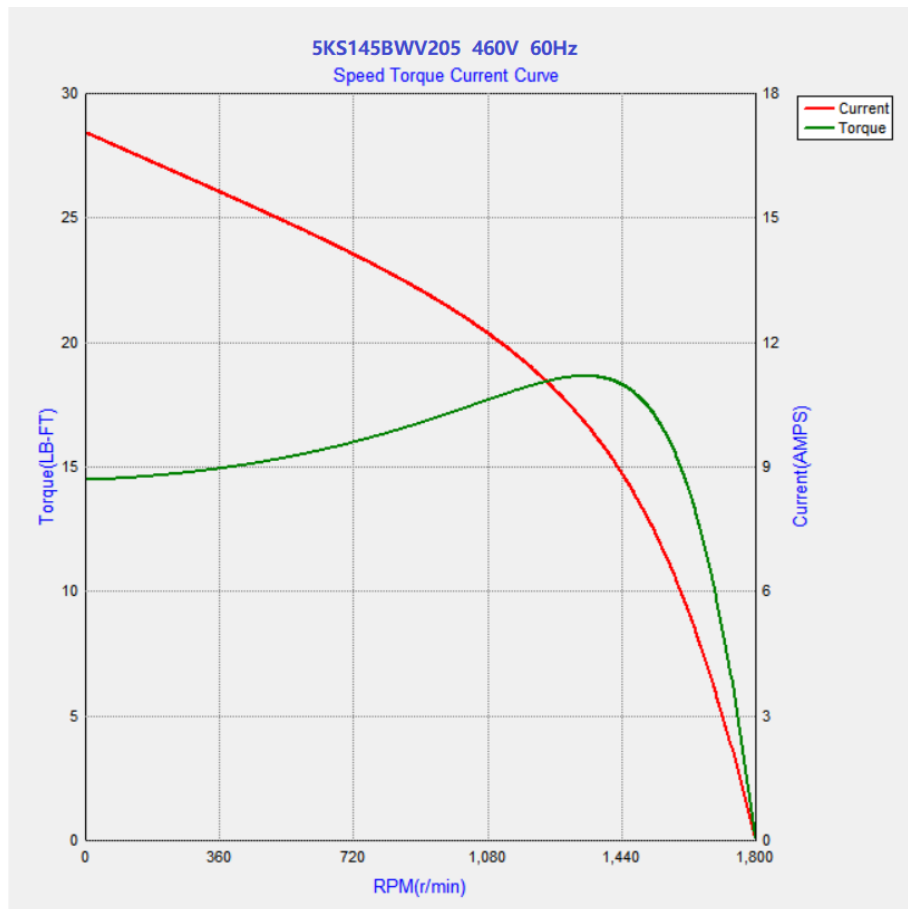
Marks:

LOAD %	125.0	115.0	100.0	75.0	50.0	25.0	10.0
% EFF	85.35	85.88	86.52	86.99	86.17	80.99	66.53
% PF	84.23	83.56	82.00	76.91	66.40	44.20	22.23
AMPS(460V)	3.28	3.02	2.65	2.11	1.63	1.28	1.16

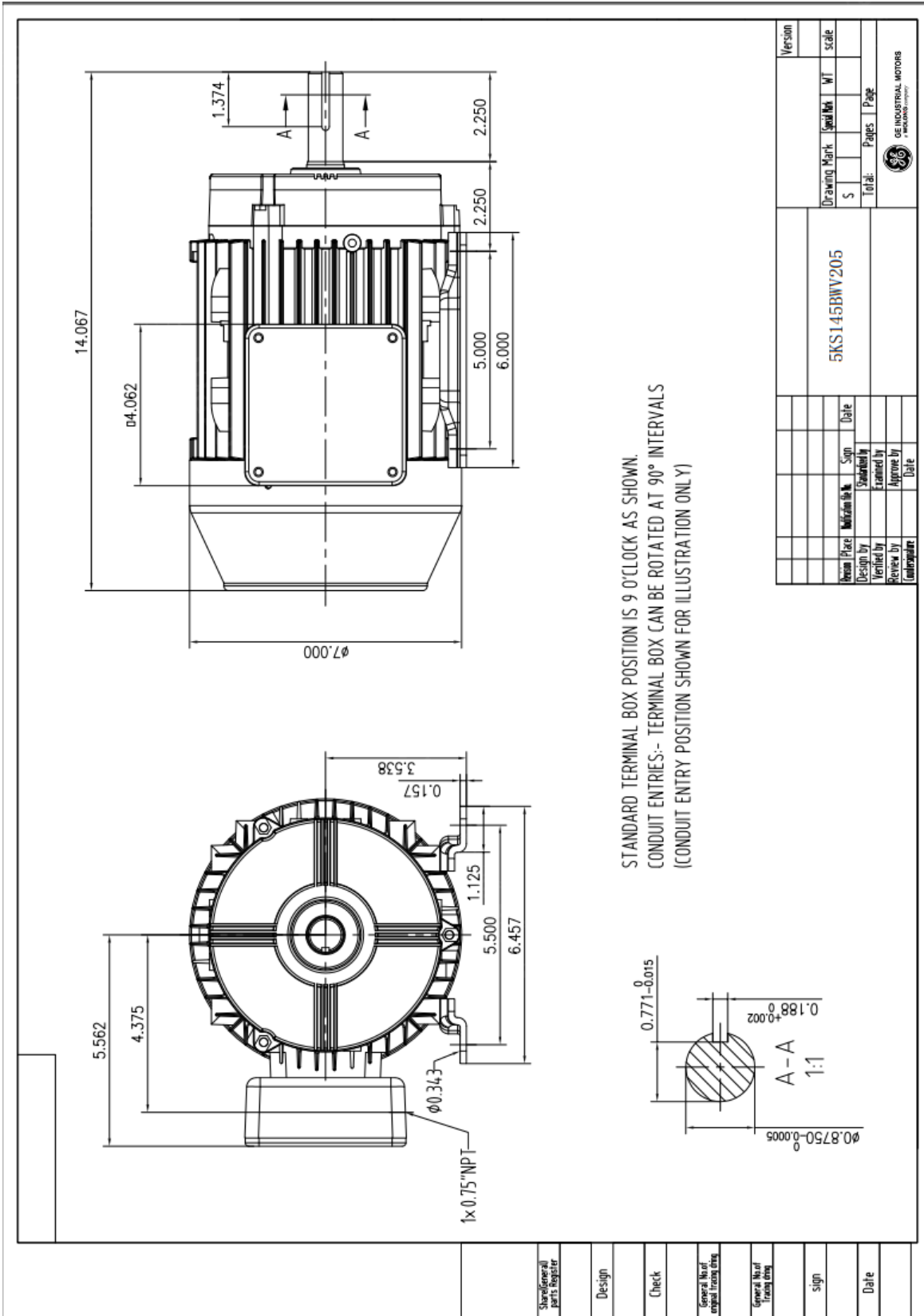
TORQUE(FL) LB-FT 8.26 TORQUE(LR)%FL 245 TORQUE(BD)%FL 301
 AMPS(LR 460V) 18.6 PF AT START

Other Useful Information for Application:

Rotor Inertia: Lb-Ft ² (Kg-m ²):	0.0311(0.0043)
Max load inertia: Lb-Ft ² (Kg-m ²):	
Load Type:	Square Torque/Speed Characteristic
Voltage:	
Number of starts per hour:	2 Cold or 1 Hot
Acceleration Time with maximum inertia (sec):	
Safe stall time (sec): Cold/Hot	42/17



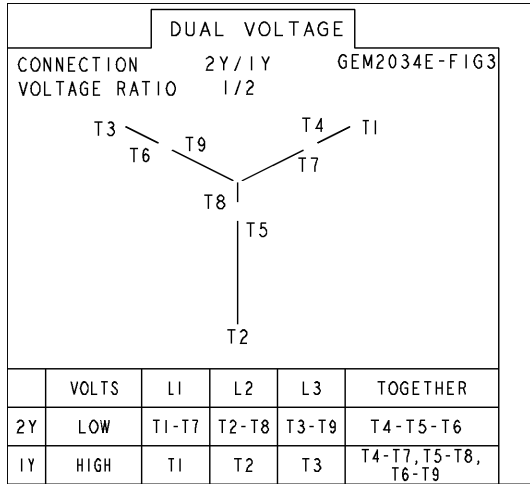
Place GE's Outline drawing



GE INDUSTRIAL MOTORS
 a WOLONG company

Marks:

Connection Diagram
GEM2034E-FIG3



Thermistor Connection
235A3027VD

