



**GE INDUSTRIAL MOTORS**  
a **WOLONG** company

# Product Information Packet

July 20, 2023

Data shown is for the current revision model #. Ensure your nameplate model # matches.

<b>Model Number:</b>	<b>5KS143BWV105</b>
<b>Catalog Number:</b>	<b>WV001</b>
<b>Instruction Manual:</b>	
<b>Connection Diagram:</b>	
<b>Outline Drawing:</b>	

<b>Accessory Connection Diagrams</b>			
<b>Bearing Thermocouple:</b>	None	<b>Heater:</b>	None
<b>RTD:</b>	None	<b>Thermistor:</b>	None
<b>Thermostat:</b>	None	<b>Winding Thermocouple:</b>	None
<b>Bearing RTD:</b>	None		

<b>Table of Contents</b>	
Specification	01
Performance Characteristics	02
Outline Drawing	03
Connection Drawing(s)	04

**Marks:**

**MODEL NUMBER:** 5KS143BWV105  
**Outline Drawing:**  
**Connection Diagram:**  
**Instruction Book:**  
**Design Code:** B  
**Type:** KS  
**Frame:** 143T  
**Phases:** 3  
**Poles:** 2  
**Output Power:** 1.5HP  
**RPM:** 3490  
**Voltage:** 230/460  
**Hertz:** 60  
**Amps - FL:** 3.78/1.89  
**Service Factor:** 1.25@60Hz  
**Alt Service Factor:** 1.0

**Estimated Weight:** 40 Lbs  
**Time Rating:** S1  
**Enclosure:** TEFC  
**Encl Construction:** GP  
**Ambient Max(°C):** 40  
**Alt Ambient Max(°C):** 40  
**Insulation Class:** F  
**NEMA Design:** B  
**Nominal Efficiency:** 84.0 %  
**Guaranteed Efficiency:** 81.5 %  
**3/4 Load Efficiency:** 84.2 %  
**KVA Code:** K  
**Max KVAR:**  
**Power Factor:** 87%  
**Bearing - DE:** 6205-ZZC3  
**Bearing - ODE:** 6203-ZZC3

**Enclosure is Totally Enclosed Fan-Cooled**

**Stamped Nameplate Notes:****Additional Information:**

ROTATION:CCW VIEWED FROM DE



**Performance Characteristics**

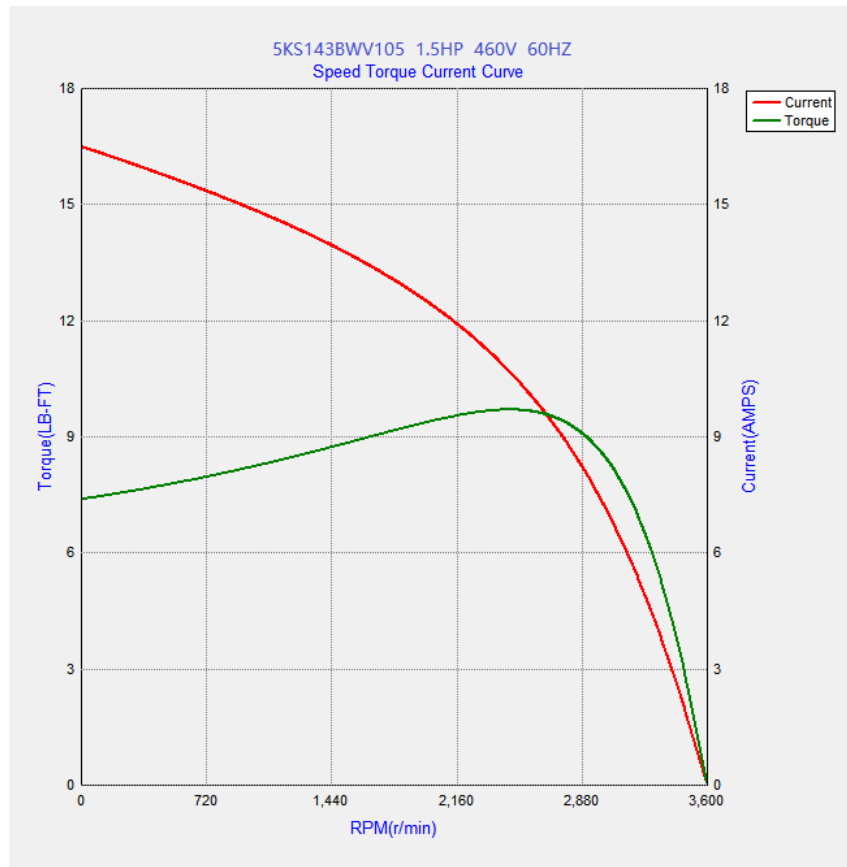
**Marks:**

LOAD %	150.0	125.0	100.0	75.0	50.0	25.0
% EFF	81.88	83.15	84.01	84.24	83.16	77.62
% PF	90.33	89.40	87.11	83.23	74.17	52.49
AMPS(460V)	2.80	2.32	1.88	1.48	1.12	0.85

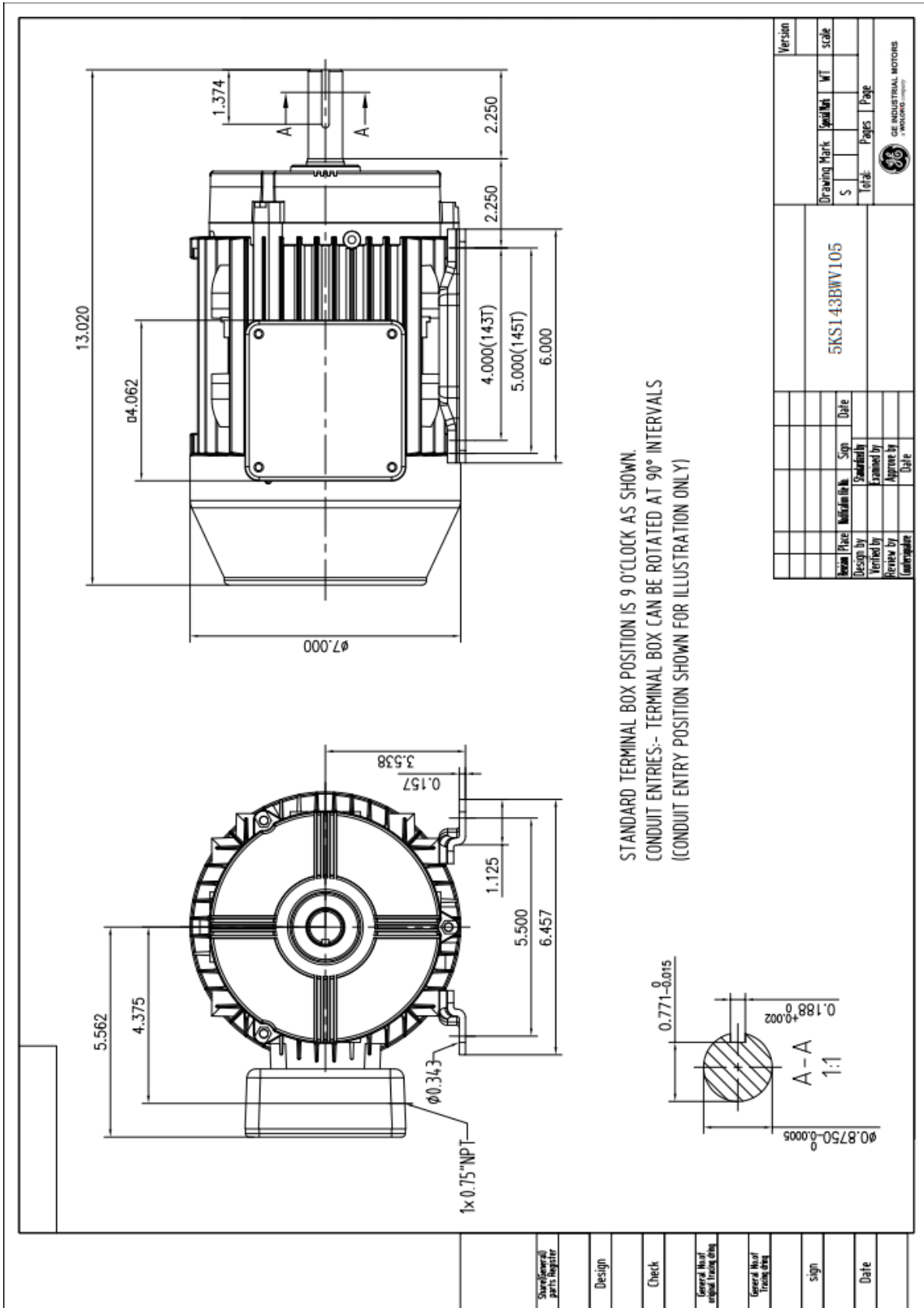
TORQUE(FL) LB-FT      3.01    TORQUE(LR)%FL      330    TORQUE(BD)%FL      423  
 AMPS(LR 460V)      17.16    PF AT START

**Other Useful Information for Application:**

Rotor Inertia: Lb-Ft <sup>2</sup> (Kg-m <sup>2</sup> ):	0.0018(0.0013)
Max load inertia: Lb-Ft <sup>2</sup> (Kg-m <sup>2</sup> ):	
Load Type:	Square Torque/Speed Characteristic
Voltage:	
Number of starts per hour:	2 Cold or 1 Hot
Acceleration Time with maximum inertia (sec):	
Safe stall time (sec): Cold/Hot	16/6



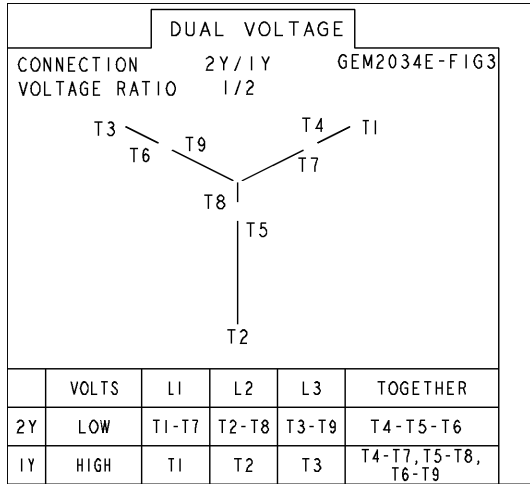
# Place GE's Outline drawing



**GE INDUSTRIAL MOTORS**  
 a WOLONG company

**Marks:**

**Connection Diagram**  
**GEM2034E-FIG3**



**Thermistor Connection**  
**235A3027VD**

