



GE INDUSTRIAL MOTORS
a **WOLONG** company

Product Information Packet

July 20, 2023

Data shown is for the current revision model #. Ensure your nameplate model # matches.

Model Number:	5KS143BWV205
Catalog Number:	WV000
Instruction Manual:	
Connection Diagram:	
Outline Drawing:	

Accessory Connection Diagrams			
Bearing Thermocouple:	None	Heater:	None
RTD:	None	Thermistor:	None
Thermostat:	None	Winding Thermocouple:	None
Bearing RTD:	None		

Table of Contents	
Specification	01
Performance Characteristics	02
Outline Drawing	03
Connection Drawing(s)	04

Marks:

MODEL NUMBER:	5KS143BWV205	Estimated Weight:	40 Lbs
Outline Drawing:		Time Rating:	S1
Connection Diagram:		Enclosure:	TEFC
Instruction Book:		Encl Construction:	GP
Design Code:	B	Ambient Max(°C):	40
Type:	KS	Alt Ambient Max(°C):	40
Frame:	143T	Insulation Class:	F
Phases:	3	NEMA Design:	B
Poles:	4	Nominal Efficiency:	85.5 %
Output Power:	1HP	Guaranteed Efficiency:	82.5 %
RPM:	1750	3/4 Load Efficiency:	85.1 %
Voltage:	230/460	KVA Code:	K
Hertz:	60	Max KVAR:	
Amps - FL:	2.86/1.43	Power Factor:	77%
Service Factor:	1.25@60Hz	Bearing - DE:	6205-ZZC3
Alt Service Factor:	1.0	Bearing - ODE:	6203-ZZC3

Enclosure is Totally Enclosed Fan-Cooled

Stamped Nameplate Notes:**Additional Information:**

ROTATION:CCW VIEWED FROM DE



GE INDUSTRIAL MOTORS
a **WOLONG** company

Performance Characteristics

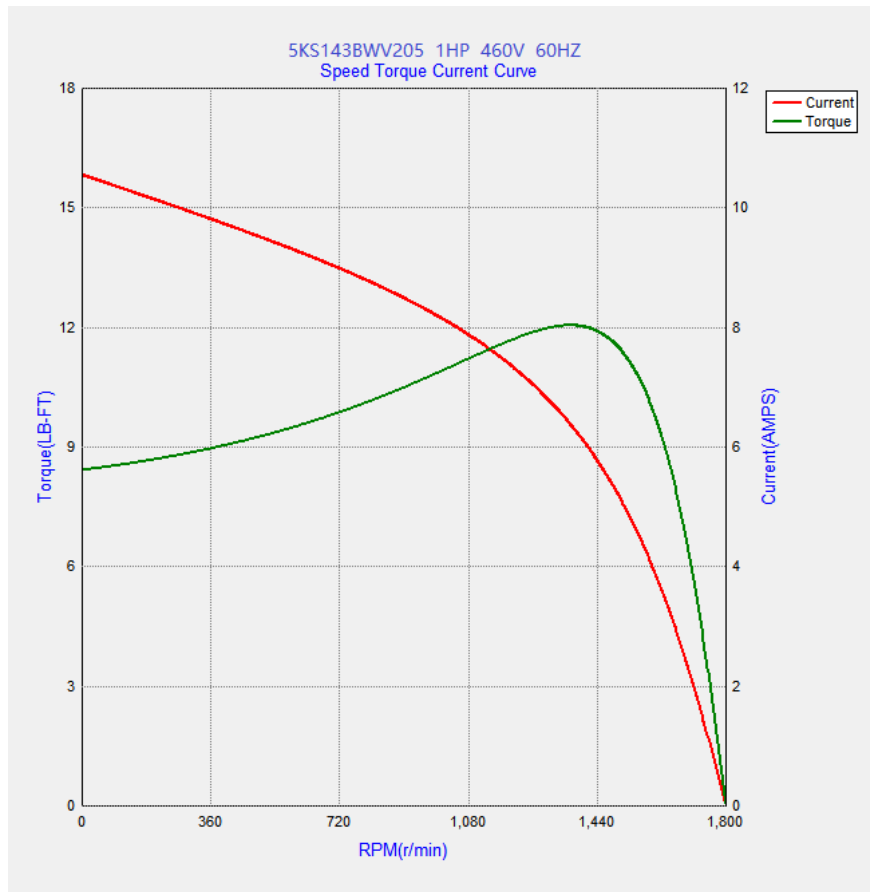
Marks:

LOAD %	150.0	125.0	100.0	75.0	50.0	25.0
% EFF	84.40	85.19	85.51	85.11	83.11	75.80
% PF	83.11	81.42	77.16	70.26	57.18	36.83
AMPS(460V)	2.02	1.70	1.43	1.19	0.99	0.85

TORQUE(FL) LB-FT 4.09 TORQUE(LR)%FL 275 TORQUE(BD)%FL 300
 AMPS(LR 460V) 11.04 PF AT START

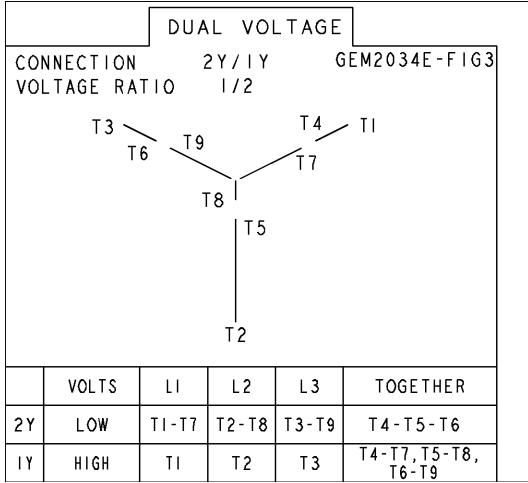
Other Useful Information for Application:

Rotor Inertia: Lb-Ft ² (Kg-m ²):	0.0031(0.0023)
Max load inertia: Lb-Ft ² (Kg-m ²):	
Load Type:	Square Torque/Speed Characteristic
Voltage:	
Number of starts per hour:	2 Cold or 1 Hot
Acceleration Time with maximum inertia (sec):	
Safe stall time (sec): Cold/Hot	61/25



Marks:

Connection Diagram
GEM2034E-FIG3



Thermistor Connection
235A3027VD

