

PRODUCT INFORMATION PACKET



Model No: V1154BV1

Catalog No: V1154BV1

1.5 HP Evaporator Coil and Refrigeration Fan HVAC/R Motor, 1 phase, 1800 RPM, 115/230 V, 56Z Frame, ODP
Evap Coil and Refrigeration Fan Motors



Regal and Century are trademarks of Regal Beloit Corporation or one of its affiliated companies.

©2019 Regal Beloit Corporation, All Rights Reserved. MC017097E

REGAL



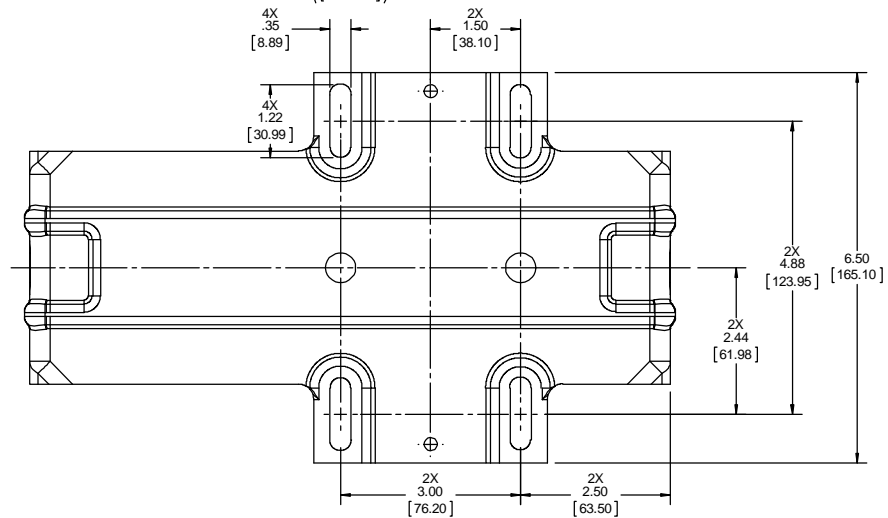
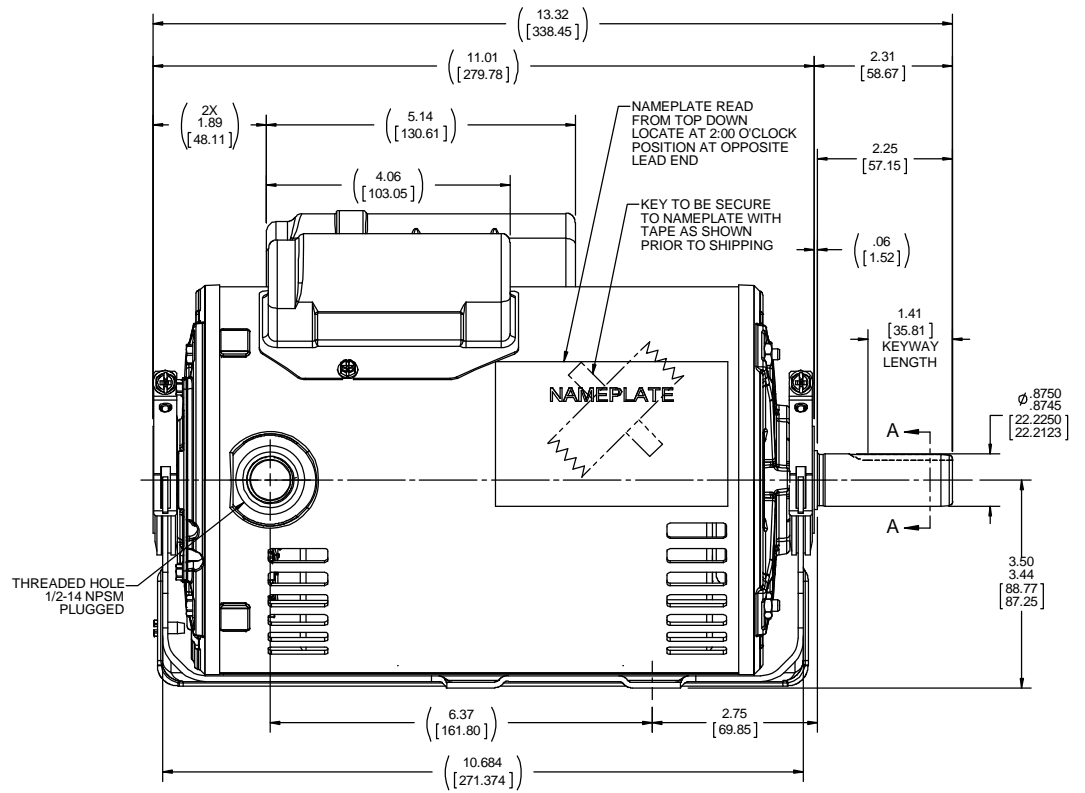
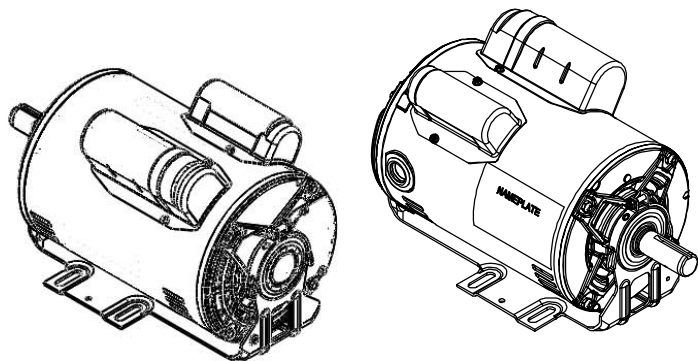
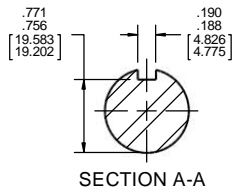
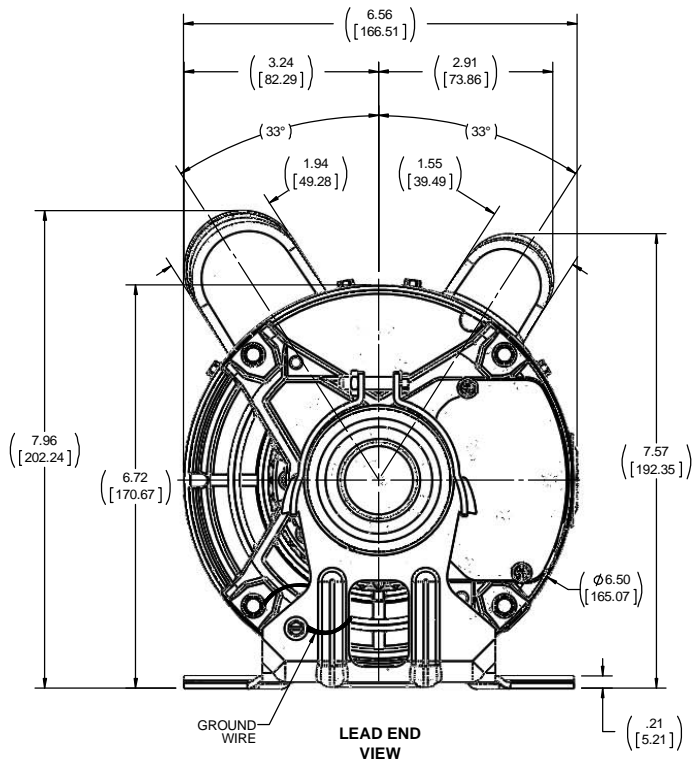
Nameplate Specifications

Output HP	1.5 Hp	Output KW	1.1 kW
Frequency	60 Hz	Voltage	115/230 V
Current	14/7 A	Speed	1725 rpm
Service Factor	1	Phase	1
Duty	Continuous	Insulation Class	B
Frame	56Z	Enclosure	Drip Proof
Thermal Protection	Thermally Protected	Ambient Temperature	40 °C
UL	Recognized	CSA	Y
CE	Y		

Technical Specifications

Electrical Type	Shaded Pole	Starting Method	Across The Line
Poles	4	Rotation	Selective Counterclockwise
Mounting	Resilient Base	Drive End Bearing	Ball
Opp Drive End Bearing	Ball	Frame Material	Rolled Steel
Shaft Type	Single Special Extension	Overall Length	13.32 in
Frame Length	8.65 in	Shaft Diameter	0.875 in
Shaft Extension	2.25 in		

This is an uncontrolled document once printed or downloaded and is subject to change without notice. Date Created:30/10/2019



DRAWING REVISION A		REVISION BY	DATE	TOLERANCES UNLESS OTHERWISE SPECIFIED:		DRAWN BY AS		Regal Beloit America, Inc.
ECO-0142512		APPROVED BY	DATE	DEC.	INCH	mm	ANGLE	
ECO DESCRIPTION NEW DRAWING				.X	±0.1	[±2.5]	±0.5°	APPROVED BY SM
COPYRIGHT REGAL BELOIT AMERICA, INC. ALL RIGHTS RESERVED. PROPRIETARY AND CONFIDENTIAL INFORMATION. THIS DOCUMENT IS THE PROPERTY OF REGAL BELOIT AMERICA, INC. CONTENT AND CONTAINS OWNERS PROPRIETARY INFORMATION. ANY PERSON, CORPORATION OR OTHER FIRM RECEIVING IT IS DEEMED BY RECEIVING IT, TO AGREE THAT IT, AND/OR ANY PART OF IT, SHALL NOT BE DISCLOSED TO ANY PERSON, CORPORATION OR OTHER ENTITY, DUPLICATED, AND/OR USED, EXCEPT AS EXPRESSLY APPROVED IN WRITING IN ADVANCE BY OWNER. THIS DOCUMENT SHALL BE RETURNED TO OWNER UPON REQUEST. IT MAY BE SUBJECT TO CERTAIN RESTRICTIONS UNDER APPLICABLE EXPORT CONTROL LAWS AND REGULATIONS.				.XX	±0.03	[±0.76]		DATE 05-29-2018
				.XXX	±0.005	[±0.127]		REFERENCE OLME175156-001
				.XXXX	±0.0005	[±0.0127]		MATERIAL 56FR,DP,1-PHASE,RESILIENT
				MACHINED SURFACES: 125 / 3.2				PROCESS/FINISH
				mm SHOWN IN (BRACKETS)				SIZE / DRAWING NUMBER C / OL56100477-001
				THIRD ANGLE PROJECTION				SHEET 1 OF 1