

PRODUCT INFORMATION PACKET



Model No: TO113

Catalog No: TO113

2 HP General Purpose Motor, 3 phase, 3600 RPM, 208-230/460 V, 145T Frame, ODP
Three Phase ODP Motors



Regal and Century are trademarks of Regal Beloit Corporation or one of its affiliated companies.

©2019 Regal Beloit Corporation, All Rights Reserved. MC017097E

REGAL



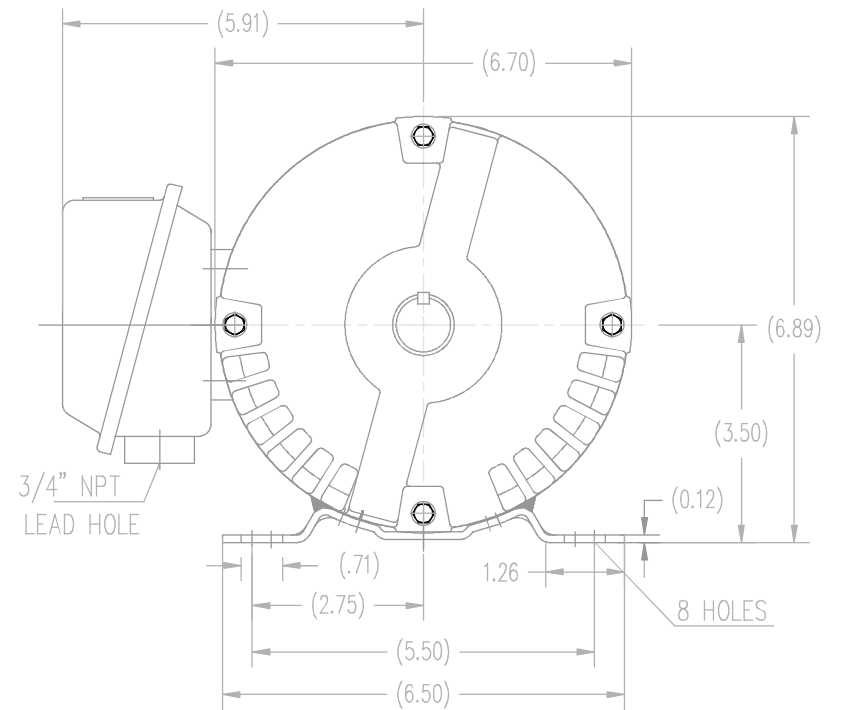
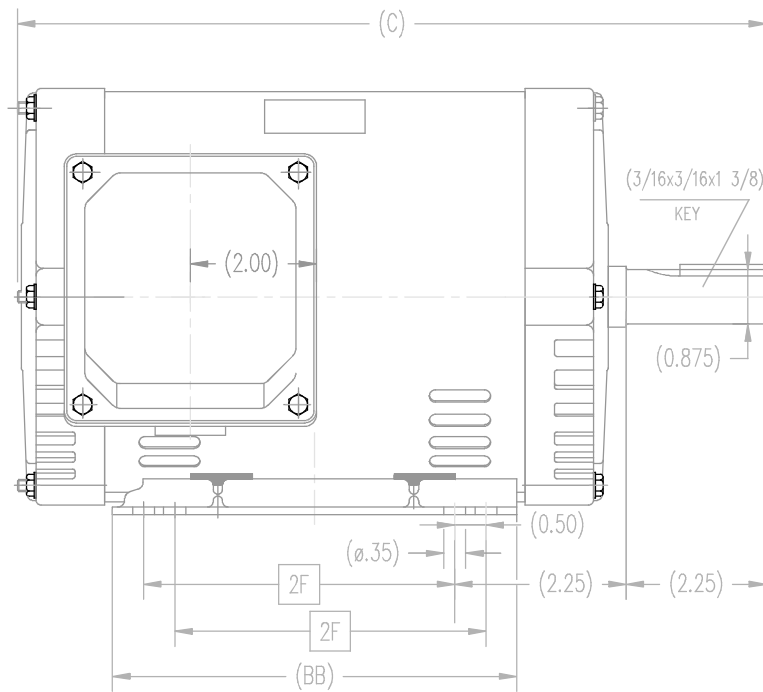
Nameplate Specifications

Output HP	2 Hp	Output KW	1.5 kW
Frequency	60 Hz	Voltage	208-230/460 V
Current	5/2.5 A	Speed	3480 rpm
Service Factor	1.15	Phase	3
Duty	Continuous	Insulation Class	F
Frame	145T	Enclosure	Open Drip Proof
Thermal Protection	None	Ambient Temperature	40 °C
UL	Recognized	CSA	Y
CE	Y		

Technical Specifications

Electrical Type	POLYPHASE	Starting Method	Across The Line
Poles	2	Rotation	Reversible
Mounting	Rigid Base	Drive End Bearing	Ball
Opp Drive End Bearing	Ball	Frame Material	Rolled Steel
Shaft Type	Keyed	Overall Length	12.20 in
Frame Length	6.75 in	Shaft Diameter	0.875 in
Shaft Extension	2.25 in		

This is an uncontrolled document once printed or downloaded and is subject to change without notice. Date Created:30/10/2019



DRAWING MAY NOT BE TO SCALE

143T	11.20	5.55	4.00
145T	12.20	6.53	5.00

FRAME	C	BB	2F
-------	---	----	----

TOLERANCES UNLESS SPECIFIED		REGAL-BELOIT CORPORATION		DRAWN ZYH 06-25-2012	
DEC.	INCHES	CHK	ANG	APPD	CL
.X	±.1	RFP	±1/2°	HZJ	06-25-2012
.XX	±.03			CL	06-25-2012
.XXX	±.005			SCALE	1=1
.XXXX	±.0005			TITLE	143/145T FR ODP-ROLL STEEL
NO.	REVISION	BY & DATE	CHK	FINISH	REF
					FMF HWADA
THIS DRAWING IN DESIGN AND DETAIL IS OUR PROPERTY AND MUST NOT BE USED EXCEPT IN CONNECTION WITH OUR WORK. ALL RIGHTS OF DESIGN AND INVENTION ARE RESERVED.			CAD FILE	SS620597	PREV
THIS IS AN UNCONTROLLED DRAWING. IT IS NOT FOR CONSTRUCTION.			SIZE	B	DRAWING NO.
Dealers Industrial Equipment -- Visit https://DealersElectric.com or call (908) 688-1986 for all of your electric motor & control needs!					SS620597
			REV.		1

