

PRODUCT INFORMATION PACKET



Model No: TO108

Catalog No: TO108

1.5 HP General Purpose Motor, 3 phase, 3600 RPM, 208-230/460 V, 143T Frame, ODP
Three Phase ODP Motors



Regal and Century are trademarks of Regal Beloit Corporation or one of its affiliated companies.

©2019 Regal Beloit Corporation, All Rights Reserved. MC017097E

REGAL



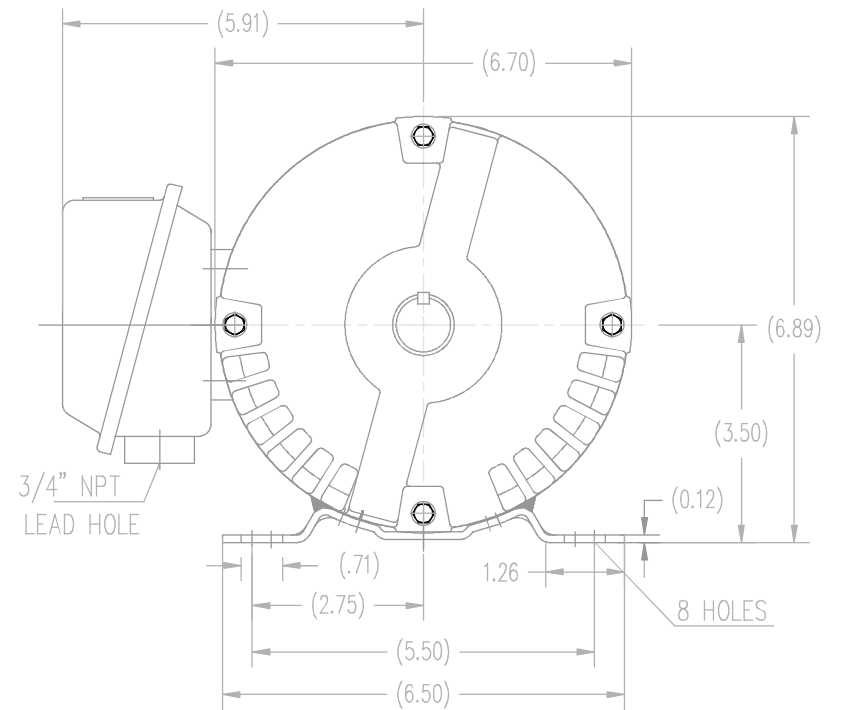
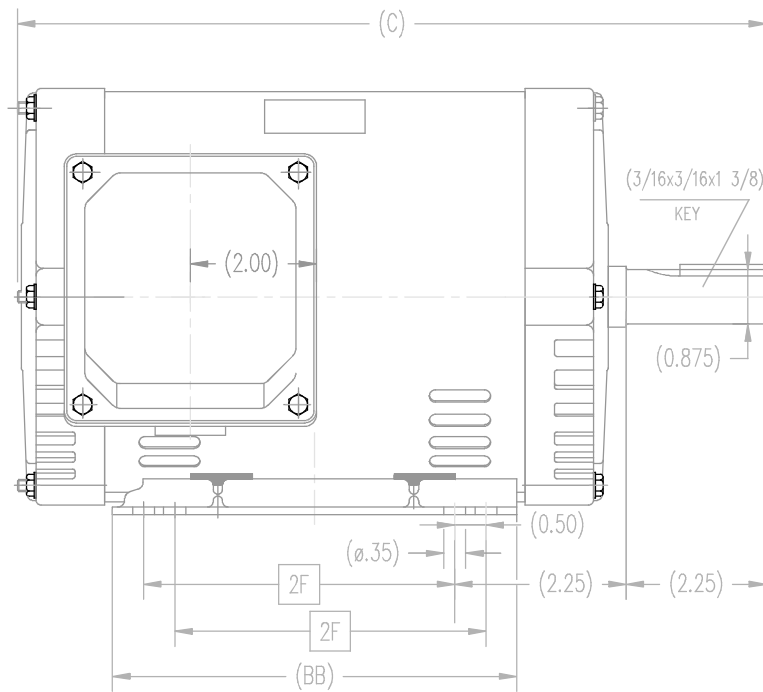
Nameplate Specifications

Output HP	1.5 Hp	Output KW	1.1 kW
Frequency	60 Hz	Voltage	208-230/460 V
Current	3.8/1.9 A	Speed	3482 rpm
Service Factor	1.15	Phase	3
Duty	Continuous	Insulation Class	F
Frame	143T	Enclosure	Open Drip Proof
Thermal Protection	None	Ambient Temperature	40 °C
UL	Recognized	CSA	Y
CE	Y		

Technical Specifications

Electrical Type	POLYPHASE	Starting Method	Across The Line
Poles	2	Rotation	Reversible
Mounting	Rigid Base	Drive End Bearing	Ball
Opp Drive End Bearing	Ball	Frame Material	Rolled Steel
Shaft Type	Keyed	Overall Length	11.20 in
Frame Length	5.75 in	Shaft Diameter	0.875 in
Shaft Extension	2.25 in		

This is an uncontrolled document once printed or downloaded and is subject to change without notice. Date Created:30/10/2019



DRAWING MAY NOT BE TO SCALE

143T	11.20	5.55	4.00
145T	12.20	6.53	5.00

FRAME	C	BB	2F
-------	---	----	----

		TOLERANCES UNLESS SPECIFIED				DRAWN ZYH 06-25-2012		
		DEC.	INCHES			CHK HZJ 06-25-2012	APPD CL 06-25-2012	
		.X	±.1	TITLE		SCALE 1=1		
		.XX	±.03	143/145T FR ODP-ROLL STEEL		REF		
		.XXX	±.005	MATL.		FMF HWADA		
		.XXXX	±.0005	FINISH		PREV		
NO.	REVISION	BY & DATE	CHK	ANG	±1/2"	RFP	CAD FILE	
THIS DRAWING IN DESIGN AND DETAIL IS OUR PROPERTY AND MUST NOT BE USED EXCEPT IN CONNECTION WITH OUR WORK. ALL RIGHTS OF DESIGN AND INVENTION ARE RESERVED.				RFP		SS620597	SIZE	
THIS IS AN UNCONTROLLED DRAWING. IT IS NOT FOR CONSTRUCTION.				RFP		SS620597	DRAWING NO.	
Dealers Industrial Equipment -- Visit https://DealersElectric.com or call (908) 688-1986 for all of your electric motor & control needs!							B	SS620597
							REV.	1

