

PRODUCT INFORMATION PACKET



Model No: TO106
Catalog No: TO106
1.5 HP General Purpose Motor, 3 phase, 1800 RPM, 575 V, 145T Frame, ODP
Three Phase ODP Motors



Regal and Century are trademarks of Regal Beloit Corporation or one of its affiliated companies.
©2019 Regal Beloit Corporation, All Rights Reserved. MC017097E





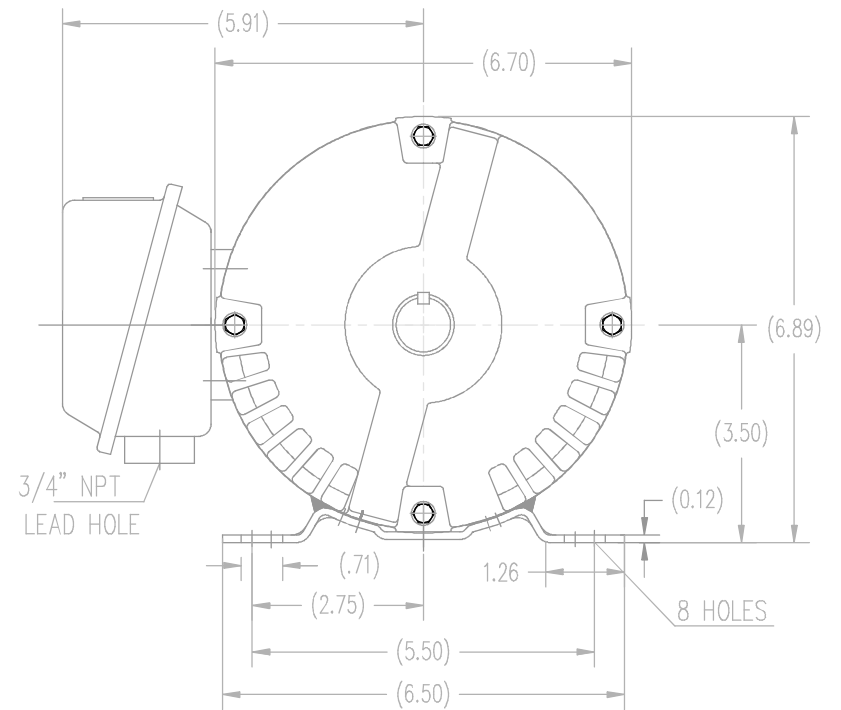
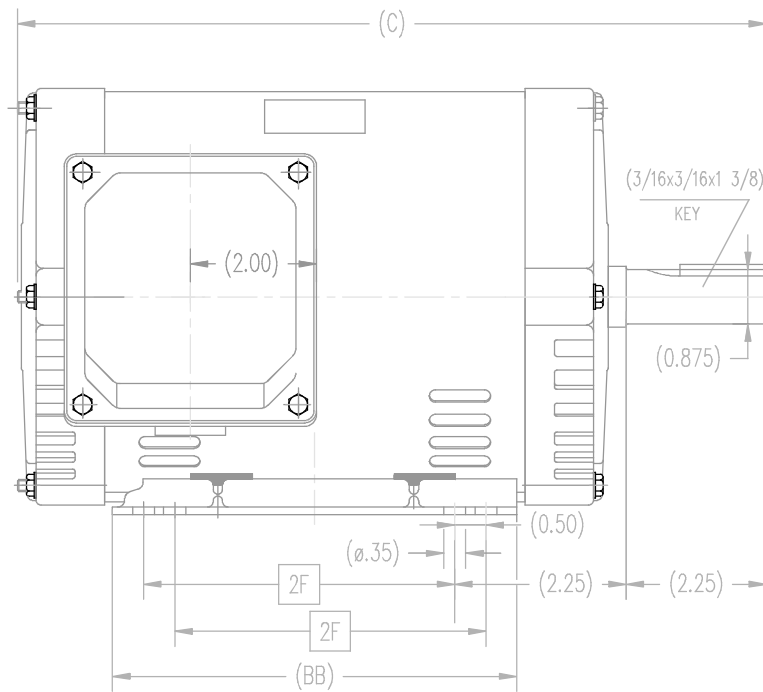
Nameplate Specifications

Output HP	1.5 Hp	Output KW	1.1 kW
Frequency	60 Hz	Voltage	575 V
Current	1.55 A	Speed	1740 rpm
Service Factor	1.15	Phase	3
Duty	Continuous	Insulation Class	F
Frame	145T	Enclosure	Open Drip Proof
Thermal Protection	None	Ambient Temperature	40 °C
UL	Recognized	CSA	Y
CE	Y		

Technical Specifications

Electrical Type	POLYPHASE	Starting Method	Across The Line
Poles	4	Rotation	Reversible
Mounting	Rigid Base	Drive End Bearing	Ball
Opp Drive End Bearing	Ball	Frame Material	Rolled Steel
Shaft Type	Keyed	Overall Length	12.20 in
Frame Length	6.75 in	Shaft Diameter	0.875 in
Shaft Extension	2.25 in		

This is an uncontrolled document once printed or downloaded and is subject to change without notice. Date Created:30/10/2019



DRAWING MAY NOT BE TO SCALE

143T	11.20	5.55	4.00
145T	12.20	6.53	5.00

FRAME	C	BB	2F
-------	---	----	----

		TOLERANCES UNLESS SPECIFIED				DRAWN ZYH 06-25-2012	
		DEC.	INCHES			CHK HZJ 06-25-2012	
		.X	±.1	TITLE		SCALE 1=1	
		.XX	±.03	143/145T FR ODP-ROLL STEEL		APPD CL 06-25-2012	
		.XXX	±.005	MATL.		REF	
		.XXXX	±.0005	FINISH		FMF HWADA	
NO.		REVISION	BY & DATE	CHK	ANG	±1/2'	PREV
THIS DRAWING IN DESIGN AND DETAIL IS OUR PROPERTY AND MUST NOT BE USED EXCEPT IN CONNECTION WITH OUR WORK. ALL RIGHTS OF DESIGN AND INVENTION ARE RESERVED.				RFP	CAD FILE	SS620597	SIZE
THIS IS AN UNCONTROLLED DRAWING. IT IS NOT FOR CONSTRUCTION.				ANG	SS620597		DRAWING NO.
Dealers Industrial Equipment -- Visit https://DealersElectric.com or call (908) 688-1986 for all of your electric motor & control needs!				FIN			SS620597
				REV.			1

**THREE PHASE - SINGLE VOLTAGE
MOTOR - CONDUIT BOX @ 'A'**

**TO REVERSE ROTATION:
INTERCHANGE ANY TWO
LINE LEAD CONNECTIONS.**

TERMINAL BLOCK WHEN SPECIFIED



VIEW OF TERMINAL END

**IF MOTOR HAS
6 LEADS**



A-9806 DECAL

**OPTIONAL CORD
CONNECTION**

- L1 _____ WHITE
- L2 _____ RED
- L3 _____ BLACK

DRAWING REVISION AB		REVISION BY JJB		DATE 06-27-2017		Regal Beloit America, Inc.			
ECO ECO-0125361		APPROVED BY TB		DATE 06-27-2017					
ECO DESCRIPTION UPDATED TO CURRENT STANDARDS						DESCRIPTION CONNECTION DIAGRAM			
<small>COPYRIGHT REGAL BELOIT AMERICA, INC. ALL RIGHTS RESERVED. PROPRIETARY AND CONFIDENTIAL INFORMATION - THIS DOCUMENT IS THE PROPERTY OF REGAL BELOIT AMERICA, INC. ("OWNER") AND CONTAINS OWNER'S PROPRIETARY INFORMATION. ANY PERSON, CORPORATION OR OTHER FIRM RECEIVING IT IS DEEMED, BY RECEIVING IT, TO AGREE THAT IT, AND/OR ANY PART OF IT, SHALL NOT BE DISCLOSED TO ANY PERSON, CORPORATION OR OTHER ENTITY, DUPLICATED, AND/OR USED, EXCEPT AS EXPRESSLY APPROVED IN WRITING IN ADVANCE BY OWNER. THIS DOCUMENT SHALL BE RETURNED TO OWNER UPON REQUEST. IT MAY BE SUBJECT TO CERTAIN RESTRICTIONS UNDER APPLICABLE EXPORT CONTROL LAWS AND REGULATIONS.</small>						EXTERNAL - SINGLE VOLTAGE - 3Ø MOTOR			
						MATERIAL		PROCESS/FINISH	
						THIRD ANGLE PROJECTION		SIZE A	