

PRODUCT INFORMATION PACKET



Model No: TO105

Catalog No: TO105

1.5 HP General Purpose Motor, 3 phase, 1800 RPM, 208-230/460 V, 145T Frame, ODP
Three Phase ODP Motors



Regal and Century are trademarks of Regal Beloit Corporation or one of its affiliated companies.

©2019 Regal Beloit Corporation, All Rights Reserved. MC017097E

REGAL



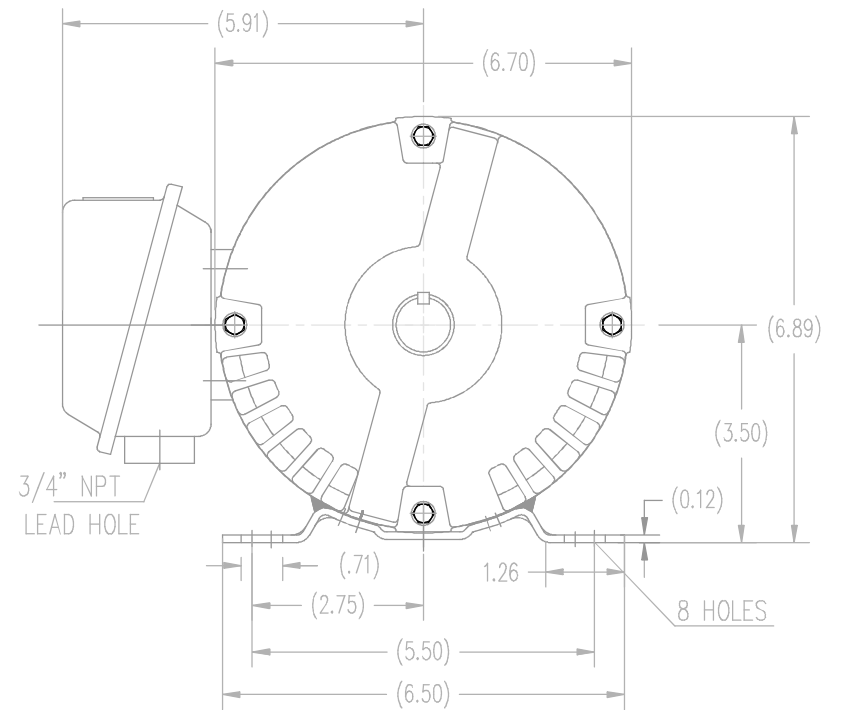
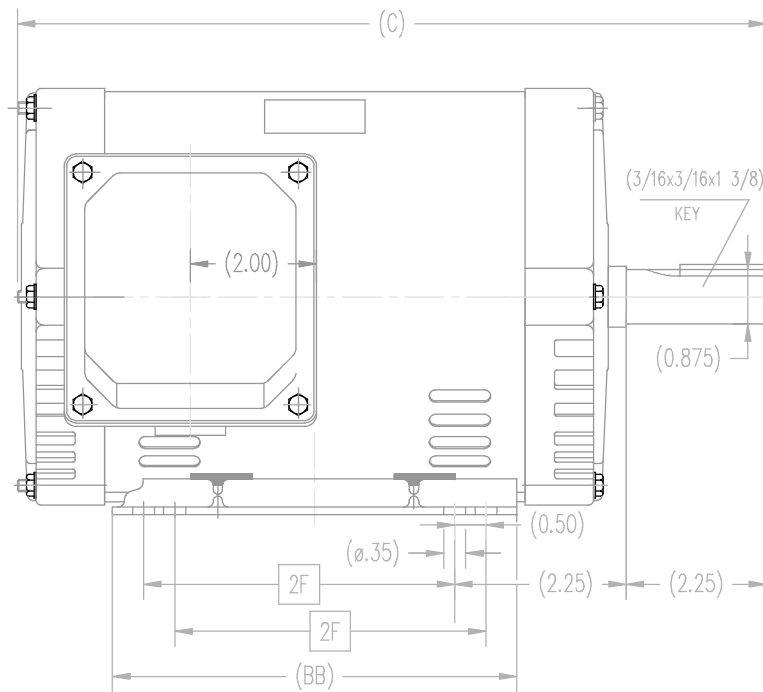
Nameplate Specifications

Output HP	1.5 Hp	Output KW	1.1 kW
Frequency	60 Hz	Voltage	208-230/460 V
Current	3.9/1.95 A	Speed	1740 rpm
Service Factor	1.15	Phase	3
Duty	Continuous	Insulation Class	F
Frame	145T	Enclosure	Open Drip Proof
Thermal Protection	None	Ambient Temperature	40 °C
UL	Recognized	CSA	Y
CE	Y		

Technical Specifications

Electrical Type	POLYPHASE	Starting Method	Across The Line
Poles	4	Rotation	Reversible
Mounting	Rigid Base	Drive End Bearing	Ball
Opp Drive End Bearing	Ball	Frame Material	Rolled Steel
Shaft Type	Keyed	Overall Length	12.20 in
Frame Length	6.75 in	Shaft Diameter	0.875 in
Shaft Extension	2.25 in		

This is an uncontrolled document once printed or downloaded and is subject to change without notice. Date Created:30/10/2019



DRAWING MAY NOT BE TO SCALE

143T	11.20	5.55	4.00
145T	12.20	6.53	5.00

FRAME	C	BB	2F
-------	---	----	----

		TOLERANCES UNLESS SPECIFIED				DRAWN ZYH 06-25-2012	
		DEC.	INCHES			CHK HZJ 06-25-2012	
		.X	±.1	TITLE		SCALE 1=1	
		.XX	±.03	143/145T FR ODP-ROLL STEEL		APPD CL 06-25-2012	
		.XXX	±.005	MATL.		REF	
		.XXXX	±.0005	FINISH		FMF HWADA	
NO.		REVISION	BY & DATE	CHK	ANG	±1/2"	PREV
THIS DRAWING IN DESIGN AND DETAIL IS OUR PROPERTY AND MUST NOT BE USED EXCEPT IN CONNECTION WITH OUR WORK. ALL RIGHTS OF DESIGN AND INVENTION ARE RESERVED.				RFP	CAD FILE	SS620597	SIZE
THIS IS AN UNCONTROLLED DRAWING. IT IS NOT FOR CONSTRUCTION.							DRAWING NO.
							SS620597
							REV.
							1

