

PRODUCT INFORMATION PACKET



Model No: TO103
Catalog No: TO103
1 HP General Purpose Motor, 3 phase, 1800 RPM, 200 V, 143T Frame, ODP
Three Phase ODP Motors



Regal and Century are trademarks of Regal Beloit Corporation or one of its affiliated companies.
©2019 Regal Beloit Corporation, All Rights Reserved. MC017097E

The REGAL logo consists of the word 'REGAL' in a bold, white, sans-serif font, set within a dark grey, trapezoidal shape that tapers to the right. This logo is positioned on a vertical blue gradient bar that runs down the right side of the page.

REGAL



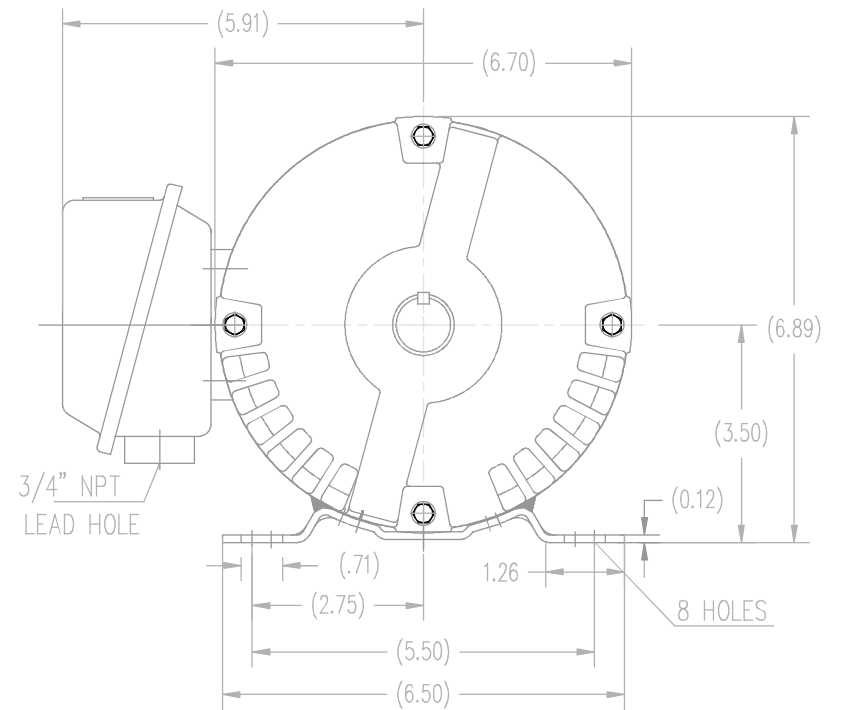
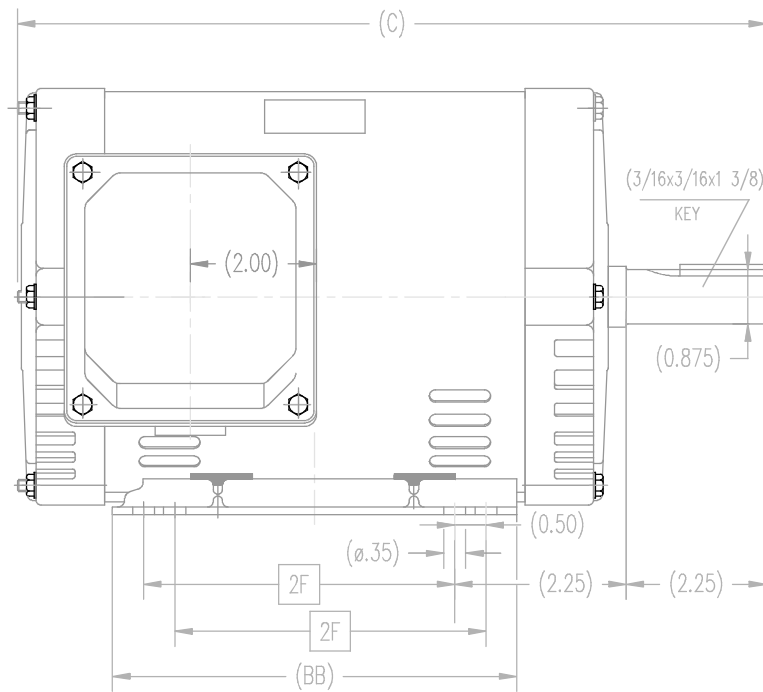
Nameplate Specifications

Output HP	1 Hp	Output KW	0.75 kW
Frequency	60 Hz	Voltage	200 V
Current	3.2 A	Speed	1748 rpm
Service Factor	1.15	Phase	3
Duty	Continuous	Insulation Class	F
Frame	143T	Enclosure	Open Drip Proof
Thermal Protection	None	Ambient Temperature	40 °C
UL	Recognized	CSA	Y
CE	Y		

Technical Specifications

Electrical Type	POLYPHASE	Starting Method	Across The Line
Poles	4	Rotation	Reversible
Mounting	Rigid Base	Drive End Bearing	Ball
Opp Drive End Bearing	Ball	Frame Material	Rolled Steel
Shaft Type	Keyed	Overall Length	11.20 in
Frame Length	5.75 in	Shaft Diameter	0.875 in
Shaft Extension	2.25 in		

This is an uncontrolled document once printed or downloaded and is subject to change without notice. Date Created:30/10/2019



DRAWING MAY NOT BE TO SCALE

143T	11.20	5.55	4.00
145T	12.20	6.53	5.00

FRAME	C	BB	2F
-------	---	----	----

		TOLERANCES UNLESS SPECIFIED				DRAWN ZYH 06-25-2012	
		DEC.	INCHES			CHK HZJ 06-25-2012	
		.X	±.1	TITLE		SCALE 1=1	
		.XX	±.03	143/145T FR ODP-ROLL STEEL		APPD CL 06-25-2012	
		.XXX	±.005	MATL.		REF	
		.XXXX	±.0005	FINISH		FMF HWADA	
		ANG	±1/2°	CAD FILE		PREV	
NO.		REVISION	BY & DATE	CHK	ANG	CAD FILE	SS620597
THIS DRAWING IN DESIGN AND DETAIL IS OUR PROPERTY AND MUST NOT BE USED EXCEPT IN CONNECTION WITH OUR WORK. ALL RIGHTS OF DESIGN AND INVENTION ARE RESERVED.				RFP	ANG	SIZE	B
THIS IS AN UNCONTROLLED DRAWING. IT IS NOT FOR CONSTRUCTION.				RFP	ANG	DRAWING NO.	SS620597
Dealers Industrial Equipment -- Visit https://DealersElectric.com or call (908) 688-1986 for all of your electric motor & control needs!				RFP	ANG	REV.	1

**THREE PHASE - SINGLE VOLTAGE
MOTOR - CONDUIT BOX @ 'A'**

**TO REVERSE ROTATION:
INTERCHANGE ANY TWO
LINE LEAD CONNECTIONS.**

TERMINAL BLOCK WHEN SPECIFIED



VIEW OF TERMINAL END

**IF MOTOR HAS
6 LEADS**



A-9806 DECAL

**OPTIONAL CORD
CONNECTION**

- L1 _____ WHITE
- L2 _____ RED
- L3 _____ BLACK

DRAWING REVISION AB		REVISION BY JJB		DATE 06-27-2017		Regal Beloit America, Inc.	
ECO ECO-0125361		APPROVED BY TB		DATE 06-27-2017			
ECO DESCRIPTION UPDATED TO CURRENT STANDARDS <small>COPYRIGHT REGAL BELOIT AMERICA, INC. ALL RIGHTS RESERVED. PROPRIETARY AND CONFIDENTIAL INFORMATION - THIS DOCUMENT IS THE PROPERTY OF REGAL BELOIT AMERICA, INC. ('OWNER') AND CONTAINS OWNER'S PROPRIETARY INFORMATION. ANY PERSON, CORPORATION OR OTHER FIRM RECEIVING IT IS DEEMED, BY RECEIVING IT, TO AGREE THAT IT, AND/OR ANY PART OF IT, SHALL NOT BE DISCLOSED TO ANY PERSON, CORPORATION OR OTHER ENTITY, DUPLICATED, AND/OR USED, EXCEPT AS EXPRESSLY APPROVED IN WRITING IN ADVANCE BY OWNER. THIS DOCUMENT SHALL BE RETURNED TO OWNER UPON REQUEST. IT MAY BE SUBJECT TO CERTAIN RESTRICTIONS UNDER APPLICABLE EXPORT CONTROL LAWS AND REGULATIONS.</small>							
				DRAWN BY DA		DESCRIPTION CONNECTION DIAGRAM EXTERNAL - SINGLE VOLTAGE - 3Ø MOTOR	
				DATE 03-26-1993		PROCESS/FINISH	
				APPROVED BY TB		MATERIAL	
				DATE 03-26-1993		DRAWING NUMBER EE7300	
				REFERENCE		SHEET 1 OF 1	
				THIRD ANGLE PROJECTION		SIZE A	