

PRODUCT INFORMATION PACKET



Model No: TE111
Catalog No: TE111
1.5 HP General Purpose Motor, 3 phase, 3600 RPM, 575 V, 143T Frame, TEFC
Three Phase TEFC Motors



Regal and Century are trademarks of Regal Beloit Corporation or one of its affiliated companies.
©2019 Regal Beloit Corporation, All Rights Reserved. MC017097E

The REGAL logo is the word 'REGAL' in a bold, white, sans-serif font, set against a dark grey rectangular background with a slight shadow effect.

REGAL



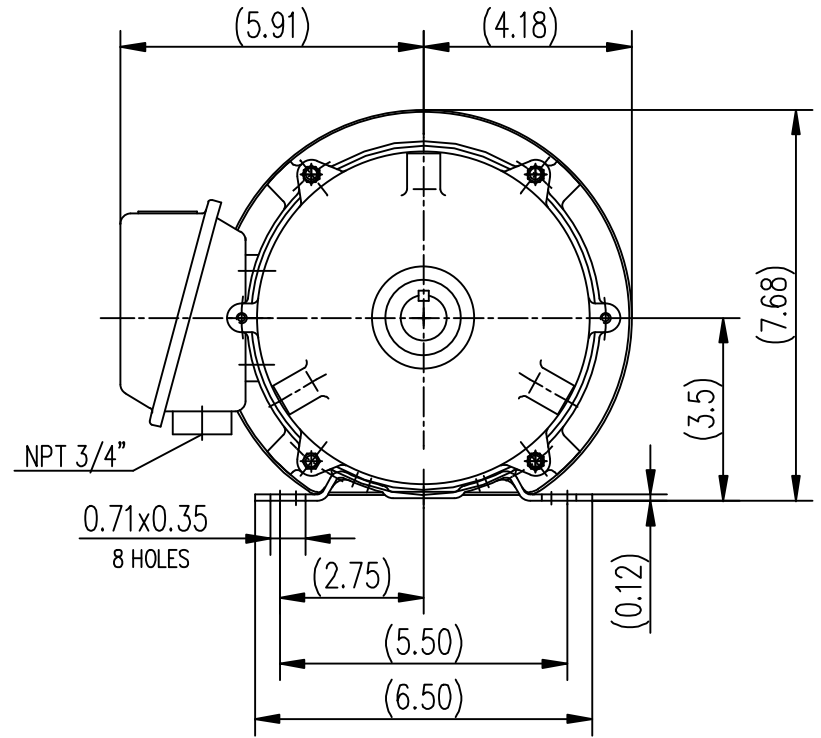
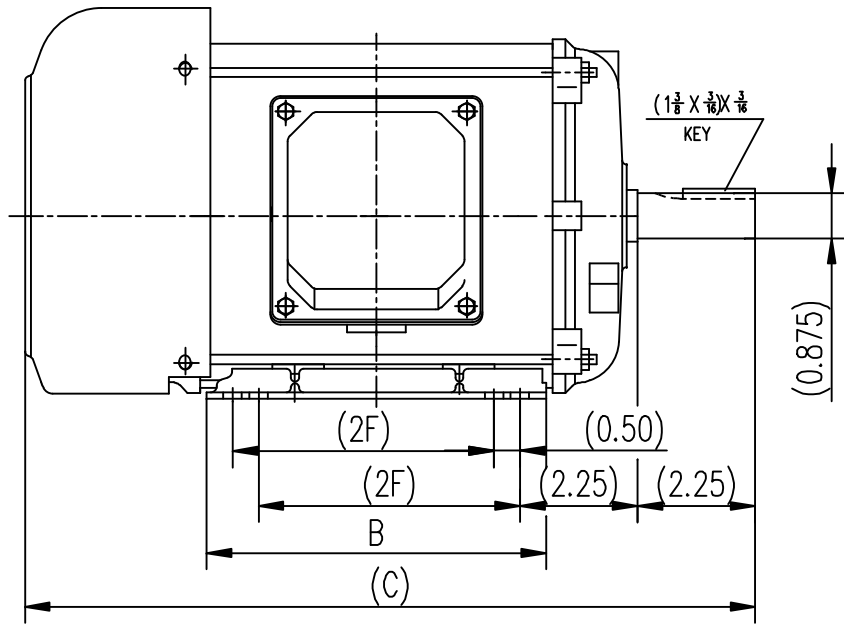
Nameplate Specifications

Output HP	1.5 Hp	Output KW	1.1 kW
Frequency	60 Hz	Voltage	575 V
Current	1.56 A	Speed	3488 rpm
Service Factor	1.15	Phase	3
Duty	Continuous	Insulation Class	F
Frame	143T	Enclosure	Totally Enclosed Fan Cooled
Thermal Protection	None	Ambient Temperature	40 °C
UL	Recognized	CSA	Y
CE	Y		

Technical Specifications

Electrical Type	POLYPHASE	Starting Method	Across The Line
Poles	2	Rotation	Reversible
Mounting	Rigid Base	Drive End Bearing	Ball
Opp Drive End Bearing	Ball	Frame Material	Rolled Steel
Shaft Type	Keyed	Overall Length	13.20 in
Frame Length	5.75 in	Shaft Diameter	0.875 in
Shaft Extension	2.25 in		

This is an uncontrolled document once printed or downloaded and is subject to change without notice. Date Created:30/10/2019



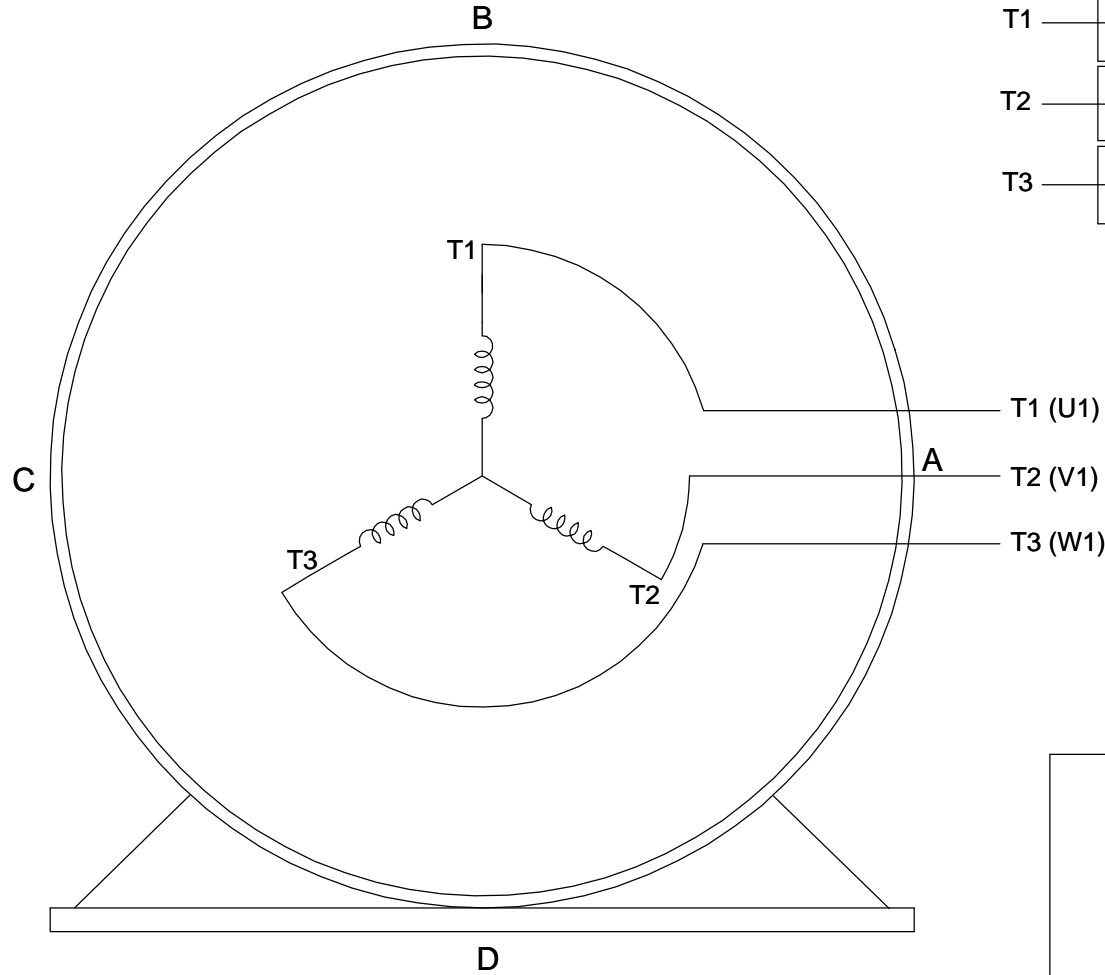
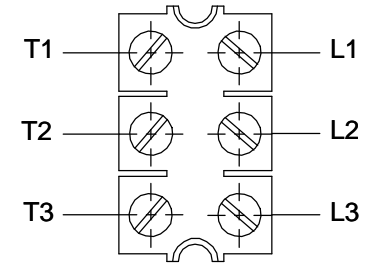
TYPE	2F	B	C
TEFC 143T	4.0	5.71	13.2
TEFC 145T	5.0	6.70	14.2

TOLERANCES UNLESS SPECIFIED		REGAL REGAL-BELOIT CORPORATION		DRAWN WY 7-28-2012				
DEC.	INCHES			CHK				
.X	±.1	TITLE OUTLINE 143/145T FR TEFC-ROLLED STEEL		APPD				
.XX	±.03			SCALE				
.XXX	±.005			REF				
.XXXX	±.0005			FMF	HWADA			
NO.	REVISION	BY & DATE	CHK	ANG	±1/2?	FINISH	PREV	
THIS DRAWING IN DESIGN AND DETAIL IS OUR PROPERTY AND MUST NOT BE USED EXCEPT IN CONNECTION WITH OUR WORK ALL RIGHTS OF DESIGN AND INVENTION ARE RESERVED THIS IS AN ELECTRONICALLY GENERATED DOCUMENT - DO NOT SCALE THIS PRINT			RFP	CAD FILE	SS620612	SIZE	DRAWING NO.	
			DIST			B	SS620612	REV.

**THREE PHASE - SINGLE VOLTAGE
MOTOR - CONDUIT BOX @ 'A'**

**TO REVERSE ROTATION:
INTERCHANGE ANY TWO
LINE LEAD CONNECTIONS.**

TERMINAL BLOCK WHEN SPECIFIED



VIEW OF TERMINAL END

**IF MOTOR HAS
6 LEADS**



A-9806 DECAL

**OPTIONAL CORD
CONNECTION**

- L1 _____ WHITE
- L2 _____ RED
- L3 _____ BLACK

DRAWING REVISION AB		REVISION BY JJB		DATE 06-27-2017		Regal Beloit America, Inc.					
ECO ECO-0125361		APPROVED BY TB		DATE 06-27-2017							
ECO DESCRIPTION UPDATED TO CURRENT STANDARDS						DESCRIPTION CONNECTION DIAGRAM					
<small>COPYRIGHT REGAL BELOIT AMERICA, INC. ALL RIGHTS RESERVED. PROPRIETARY AND CONFIDENTIAL INFORMATION - THIS DOCUMENT IS THE PROPERTY OF REGAL BELOIT AMERICA, INC. ("OWNER") AND CONTAINS OWNER'S PROPRIETARY INFORMATION. ANY PERSON, CORPORATION OR OTHER FIRM RECEIVING IT IS DEEMED, BY RECEIVING IT, TO AGREE THAT IT, AND/OR ANY PART OF IT, SHALL NOT BE DISCLOSED TO ANY PERSON, CORPORATION OR OTHER ENTITY, DUPLICATED, AND/OR USED, EXCEPT AS EXPRESSLY APPROVED IN WRITING IN ADVANCE BY OWNER. THIS DOCUMENT SHALL BE RETURNED TO OWNER UPON REQUEST. IT MAY BE SUBJECT TO CERTAIN RESTRICTIONS UNDER APPLICABLE EXPORT CONTROL LAWS AND REGULATIONS.</small>						EXTERNAL - SINGLE VOLTAGE - 3Ø MOTOR					
						THIRD ANGLE PROJECTION		MATERIAL		PROCESS/FINISH	
						SIZE A		DRAWING NUMBER EE7300		SHEET 1 OF 1	