

# PRODUCT INFORMATION PACKET



Model No: TE102

Catalog No: TE102

1 HP General Purpose Motor, 3 phase, 1800 RPM, 208-230/460 V, 143T Frame, TEFC  
Three Phase TEFC Motors



Regal and Century are trademarks of Regal Beloit Corporation or one of its affiliated companies.

©2019 Regal Beloit Corporation, All Rights Reserved. MC017097E

REGAL



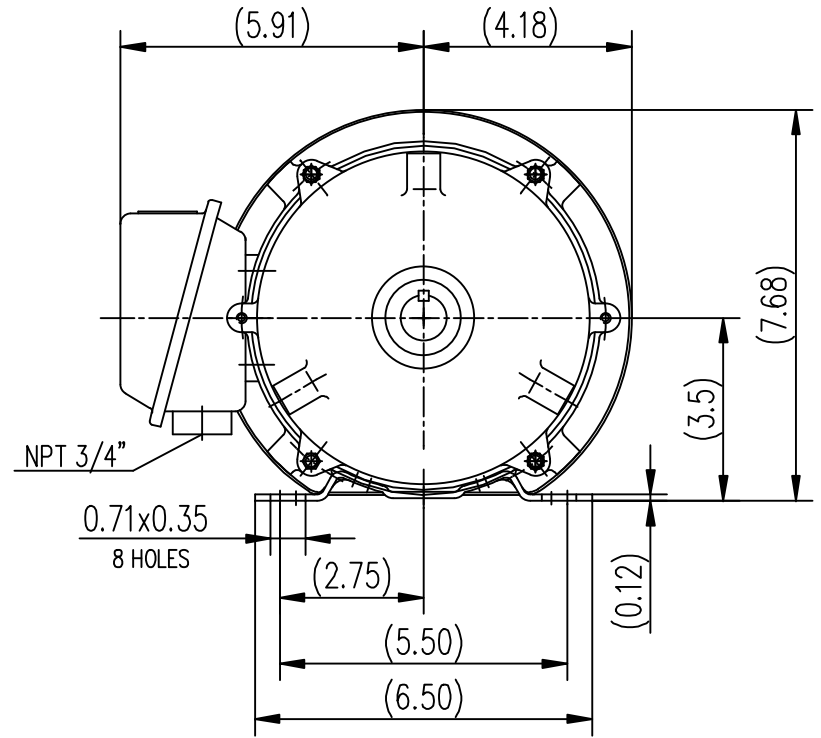
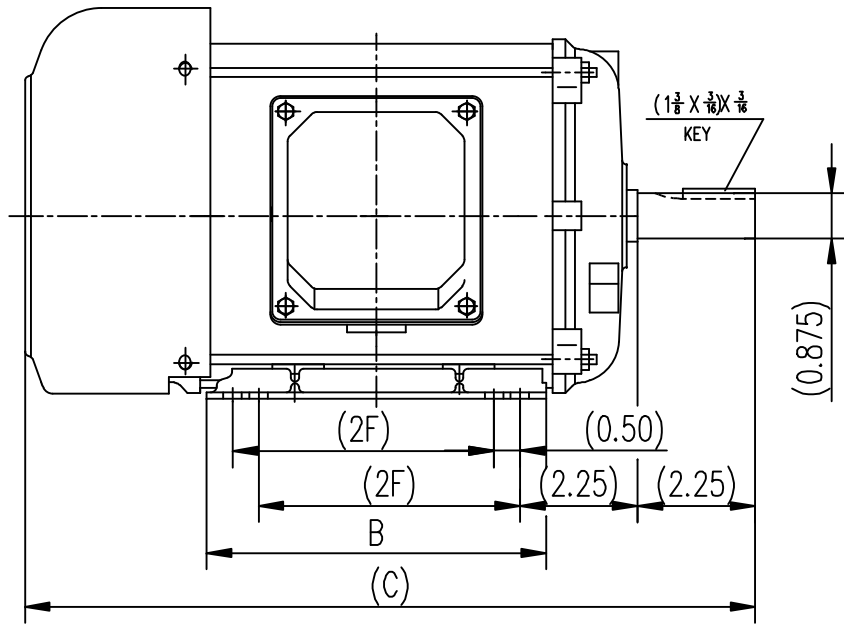
**Nameplate Specifications**

|                    |                   |                     |                                    |
|--------------------|-------------------|---------------------|------------------------------------|
| Output HP          | <b>1 Hp</b>       | Output KW           | <b>0.75 kW</b>                     |
| Frequency          | <b>60 Hz</b>      | Voltage             | <b>208-230/460 V</b>               |
| Current            | <b>1.4 A</b>      | Speed               | <b>1748 rpm</b>                    |
| Service Factor     | <b>1.15</b>       | Phase               | <b>3</b>                           |
| Duty               | <b>Continuous</b> | Insulation Class    | <b>F</b>                           |
| Frame              | <b>143T</b>       | Enclosure           | <b>Totally Enclosed Fan Cooled</b> |
| Thermal Protection | <b>None</b>       | Ambient Temperature | <b>40 °C</b>                       |
| UL                 | <b>Recognized</b> | CSA                 | <b>Y</b>                           |
| CE                 | <b>Y</b>          |                     |                                    |

**Technical Specifications**

|                       |                   |                   |                        |
|-----------------------|-------------------|-------------------|------------------------|
| Electrical Type       | <b>POLYPHASE</b>  | Starting Method   | <b>Across The Line</b> |
| Poles                 | <b>4</b>          | Rotation          | <b>Reversible</b>      |
| Mounting              | <b>Rigid Base</b> | Drive End Bearing | <b>Ball</b>            |
| Opp Drive End Bearing | <b>Ball</b>       | Frame Material    | <b>Rolled Steel</b>    |
| Shaft Type            | <b>Keyed</b>      | Overall Length    | <b>13.20 in</b>        |
| Frame Length          | <b>6.75 in</b>    | Shaft Diameter    | <b>0.875 in</b>        |
| Shaft Extension       | <b>2.25 in</b>    |                   |                        |

This is an uncontrolled document once printed or downloaded and is subject to change without notice. Date Created:30/10/2019



| TYPE      | 2F  | B    | C    |
|-----------|-----|------|------|
| TEFC 143T | 4.0 | 5.71 | 13.2 |
| TEFC 145T | 5.0 | 6.70 | 14.2 |

| TOLERANCES UNLESS SPECIFIED  |          | REGAL REGAL-BELOIT CORPORATION                 |      | DRAWN WY 7-28-2012 |          |        |             |      |  |
|--|----------|--|------|--------------------|----------|--------|-------------|------|--|
| DEC.   | INCHES   |  |      | CHK                |          |        |             |      |  |
| .X   | ±.1      | TITLE OUTLINE<br>143/145T FR TEFC-ROLLED STEEL |      | APPD               |          |        |             |      |  |
| .XX  | ±.03     |  |      | SCALE              |          |        |             |      |  |
| .XXX   | ±.005    |  |      | REF                |          |        |             |      |  |
| .XXXX  | ±.0005   |  |      | FMF                | HWADA    |        |             |      |  |
| NO.  | REVISION | BY & DATE                                      | CHK  | ANG                | ±1/2°    | FINISH |             | PREV |  |
| THIS DRAWING IN DESIGN AND DETAIL IS OUR PROPERTY AND MUST NOT BE USED EXCEPT IN CONNECTION WITH OUR WORK ALL RIGHTS OF DESIGN AND INVENTION ARE RESERVED THIS IS AN ELECTRONICALLY GENERATED DOCUMENT - DO NOT SCALE THIS PRINT |          |  | RFP  | CAD FILE           | SS620612 | SIZE   | DRAWING NO. | REV. |  |
|  |          |  | DIST |                    |          | B      | SS620612    |      |  |



| NO.  |  | REVISION |            | BY & DATE |       | CHK    |  | ANG |  | FINISH  |  | PREV            |  |        |  |                    |  |           |  |        |  |
|--|--|----------|------------|-----------|-------|--------|--|-----|--|---------|--|-----------------|--|--------|--|--------------------|--|-----------|--|--------|--|
| 5  | CHG TO REGAL LOGO                              | SL       | 09/10/2015 | AB        |       |        |  |     |  |         |  |                 |  |        |  |                    |  |           |  |        |  |
| 4  | REVISED IEC NOTATIONS                          | MSG      | 11/15/2011 | CMN       | .X    | ±.1    |  |     |  |         |  |                 |  |        |  |                    |  |           |  |        |  |
| 3  | ADDED IEC NOTATIONS... (U1), (V1) ETC. MU95194 | MSG      | 5/10/2010  | MJS       | .XX   | ±.02   |  |     |  |         |  |                 |  |        |  |                    |  |           |  |        |  |
| 2  | ADDED THE OPTIONAL CORD CONNECTION MU46318     | RDH      | 04/24/2003 | DRS       | .XXX  | ±.005  |  |     |  |         |  |                 |  |        |  |                    |  |           |  |        |  |
| 1  | REDRAWN  | RM       | 11/20/1990 |           | .XXXX | ±.0005 |  |     |  |         |  |                 |  |        |  |                    |  |           |  |        |  |
|  |  |          |            |           |       |        |  |     |  |         |  |                 |  |        |  |                    |  |           |  |        |  |
| THIS DRAWING IN DESIGN AND DETAIL IS OUR PROPERTY AND MUST NOT BE USED EXCEPT IN CONNECTION WITH OUR WORK ALL RIGHTS OF DESIGN AND INVENTION ARE RESERVED THIS IS AN ELECTRONICALLY GENERATED DOCUMENT - DO NOT SCALE THIS PRINT |  |          |            |           |       |        |  |     |  | RFP     |  | CAD FILE ee7308 |  | SIZE A |  | DRAWING NO. EE7308 |  | PAGE OF 5 |  | REV. 5 |  |
|  |  |          |            |           |       |        |  |     |  | DIST WP |  |                 |  |        |  |                    |  |           |  |        |  |

**REGAL**™ Regal Beloit America, Inc.

DRAWN RM 11/20/1990  
 CHK ML 11/21/1990  
 APPD SAS 04/24/2003  
 SCALE 1=1  
 REF  
 FMF  
 PREV

TITLE CONNECTION DIAGRAM  
 3Ø - DUAL VOLTAGE MOTOR