

PRODUCT INFORMATION PACKET



Model No: TE100

Catalog No: TE100

1 HP General Purpose Motor, 3 phase, 1200 RPM, 208-230/460 V, 145T Frame, TEFC
Three Phase TEFC Motors



Regal and Century are trademarks of Regal Beloit Corporation or one of its affiliated companies.

©2019 Regal Beloit Corporation, All Rights Reserved. MC017097E

The REGAL logo is a grey rectangular box with the word 'REGAL' in white, bold, sans-serif capital letters. It is positioned on a blue and black halftone background that runs vertically down the right side of the page.

REGAL



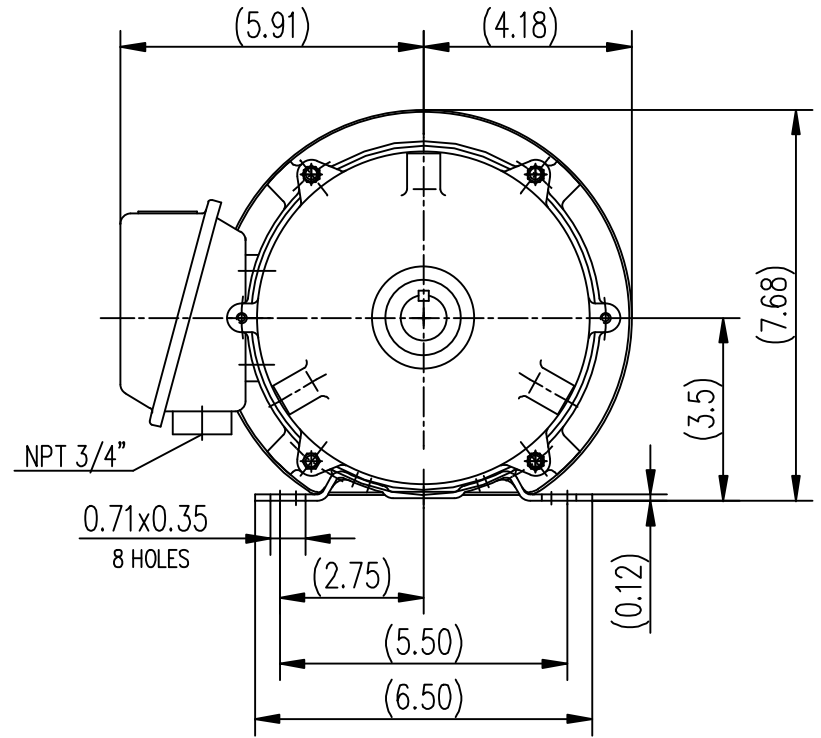
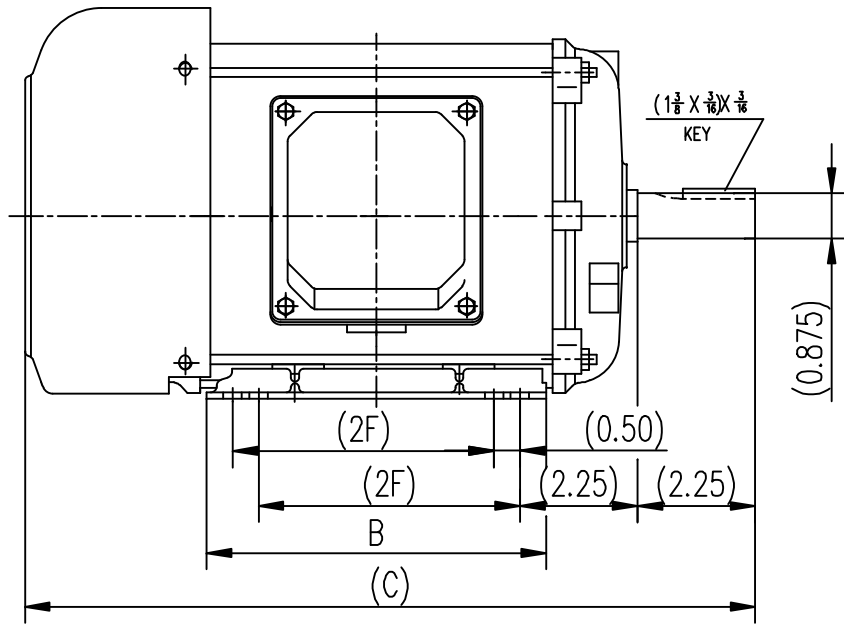
Nameplate Specifications

Output HP	1 Hp	Output KW	0.75 kW
Frequency	60 Hz	Voltage	208-230/460 V
Current	1.55 A	Speed	1160 rpm
Service Factor	1.15	Phase	3
Duty	Continuous	Insulation Class	F
Frame	145T	Enclosure	Totally Enclosed Fan Cooled
Thermal Protection	None	Ambient Temperature	40 °C
UL	Recognized	CSA	Y
CE	Y		

Technical Specifications

Electrical Type	POLYPHASE	Starting Method	Across The Line
Poles	6	Rotation	Reversible
Mounting	Rigid Base	Drive End Bearing	Ball
Opp Drive End Bearing	Ball	Frame Material	Rolled Steel
Shaft Type	Keyed	Overall Length	14.20 in
Frame Length	6.75 in	Shaft Diameter	0.875 in
Shaft Extension	2.25 in		

This is an uncontrolled document once printed or downloaded and is subject to change without notice. Date Created:30/10/2019



TYPE	2F	B	C
TEFC 143T	4.0	5.71	13.2
TEFC 145T	5.0	6.70	14.2

TOLERANCES UNLESS SPECIFIED		REGAL REGAL-BELOIT CORPORATION		DRAWN WY 7-28-2012				
DEC.	INCHES			CHK				
.X	±.1	TITLE OUTLINE 143/145T FR TEFC-ROLLED STEEL MAT'L.		APPD				
.XX	±.03			SCALE				
.XXX	±.005			REF				
.XXXX	±.0005			FMF	HWADA			
NO.	REVISION	BY & DATE	CHK	ANG	±1/2?	FINISH	PREV	
THIS DRAWING IN DESIGN AND DETAIL IS OUR PROPERTY AND MUST NOT BE USED EXCEPT IN CONNECTION WITH OUR WORK ALL RIGHTS OF DESIGN AND INVENTION ARE RESERVED THIS IS AN ELECTRONICALLY GENERATED DOCUMENT - DO NOT SCALE THIS PRINT			RFP	CAD FILE	SS620612	SIZE	DRAWING NO.	
			DIST			B	SS620612	REV.



NO.		REVISION		BY & DATE		CHK		ANG		FINISH		PREV									
5	CHG TO REGAL LOGO	SL	09/10/2015	AB																	
4	REVISED IEC NOTATIONS	MSG	11/15/2011	CMN	.X	±.1															
3	ADDED IEC NOTATIONS... (U1), (V1) ETC. MU95194	MSG	5/10/2010	MJS	.XX	±.02															
2	ADDED THE OPTIONAL CORD CONNECTION MU46318	RDH	04/24/2003	DRS	.XXX	±.005															
1	REDRAWN	RM	11/20/1990		.XXXX	±.0005															
THIS DRAWING IN DESIGN AND DETAIL IS OUR PROPERTY AND MUST NOT BE USED EXCEPT IN CONNECTION WITH OUR WORK ALL RIGHTS OF DESIGN AND INVENTION ARE RESERVED THIS IS AN ELECTRONICALLY GENERATED DOCUMENT - DO NOT SCALE THIS PRINT										RFP		CAD FILE ee7308		SIZE A		DRAWING NO. EE7308		PAGE OF 5		REV. 5	
										DIST WP											

REGAL™ Regal Beloit America, Inc.

DRAWN RM 11/20/1990
 CHK ML 11/21/1990
 APPD SAS 04/24/2003
 SCALE 1=1
 REF
 FMF
 PREV

TITLE CONNECTION DIAGRAM
 3Ø - DUAL VOLTAGE MOTOR

MAT'L.