

# PRODUCT INFORMATION PACKET



Model No: SV2104L

Catalog No: SV2104L

HP 2 speed Evaporator Coil and Refrigeration Fan HVAC/R Motor, 1 phase, 1800/1200 RPM, 115 V, 56Z Frame, OPEN  
Evap Coil and Refrigeration Fan Motors



Regal and Century are trademarks of Regal Beloit Corporation or one of its affiliated companies.

©2019 Regal Beloit Corporation, All Rights Reserved. MC017097E

REGAL



**Nameplate Specifications**

Output HP	1 1/3 Hp	Output KW	0.99 kW
Frequency	60 Hz	Voltage	115 V
Current	12.7/7.6 A	Speed	1725/1140 rpm
Service Factor	1	Phase	1
Duty	Continuous	Insulation Class	B
Frame	56Z	Enclosure	Open Enclosed
Thermal Protection	Automatic	Ambient Temperature	40 °C
UL	No	CSA	Y
CE	N		

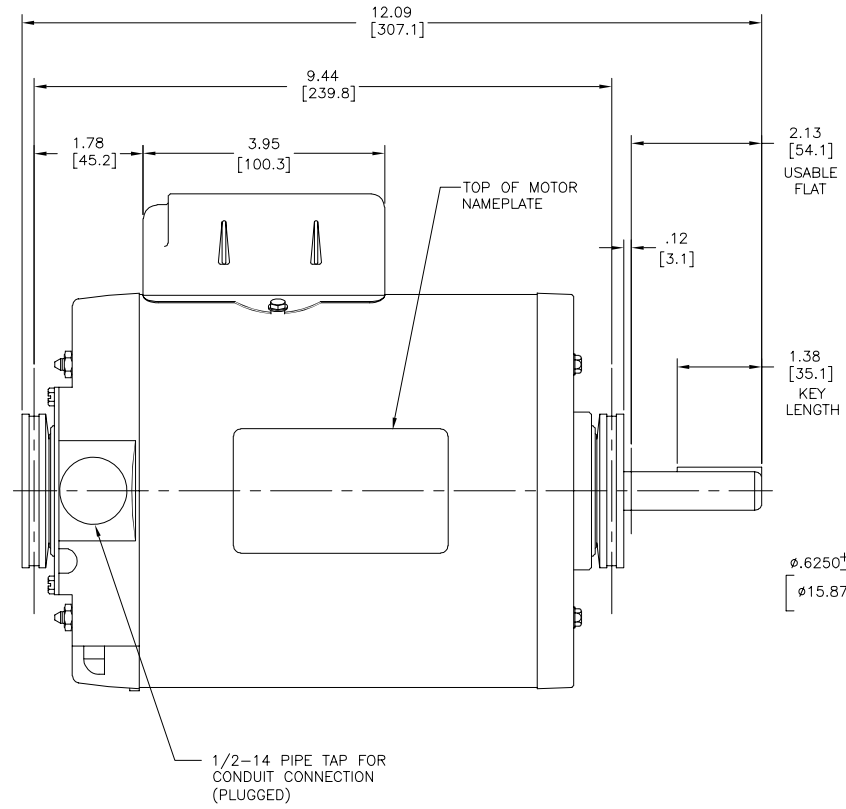
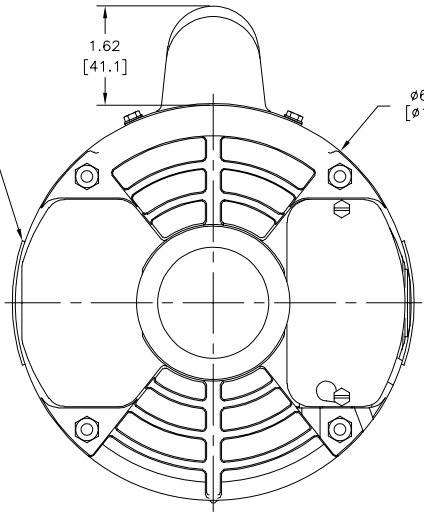
**Technical Specifications**

Electrical Type	Capacitor Start Induction Run	Starting Method	Across The Line
Poles	4/6	Rotation	Counterclockwise Lead End
Mounting	Resilient Base	Drive End Bearing	Sleeve
Opp Drive End Bearing	Sleeve	Frame Material	Rolled Steel
Shaft Type	Keyed	Overall Length	12.09 in
Frame Length	6.69 in	Shaft Diameter	0.625 in
Shaft Extension	2.13 in		

This is an uncontrolled document once printed or downloaded and is subject to change without notice. Date Created:30/10/2019

REV	ECO	REV BY	DATE	APPD	DATE
C	0029871	E.SINECIO	12-17-2012	G.ALVIDREZ	12-17-2012

TOP OF WARNING STICKER



$\phi .6250^{+.0000}_{-.0005}$   
 $[\phi 15.875^{+.000}_{-.013}]$

GEOMETRIC CHARACTERISTICS & SYMBOLS

- ▭ FLATNESS
- STRAIGHTNESS
- ∠ ANGULARITY
- ⊥ PERPENDICULARITY (SQUARENESS)
- ∥ PARALLELISM
- ROUNDNESS (CIRCULARITY)
- ⊘ CYLINDRICITY
- ⌒ PROFILE OF ANY SURFACE
- ⌒ PROFILE OF ANY LINE
- ⌀ RUNOUT
- ⊕ TRUE POSITION
- ⊙ CONCENTRICITY
- ⊖ SYMMETRY

ASME Y14.5M 1994

UNLESS OTHERWISE SPECIFIED  
 DIM. TOLERANCES ARE AS FOLLOWS:

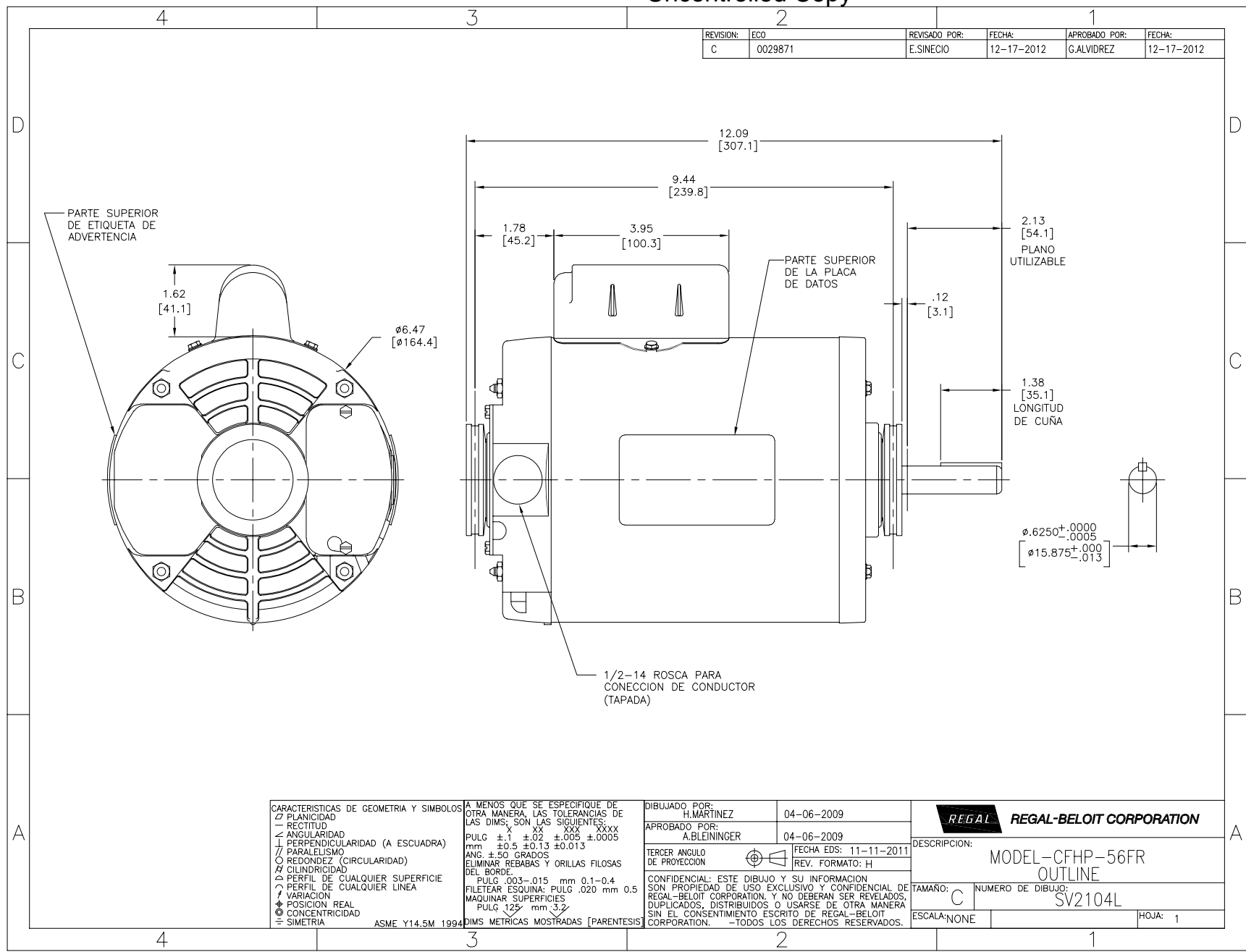
INCH	±.1	±.02	±.005	±.0005
mm	±0.5	±0.13	±0.013	

ANG. ±.50 DEG  
 REMOVE BURRS & BREAK SHARP EDGES:  
 INCH .003-.015 mm 0.1-.04  
 CORNER FILLETS TO:  
 INCH .020 mm 0.5  
 MACHINE SURFACES:  
 INCH 125 mm 3.2

METRIC DIMS. SHOWN IN [BRACKETS]

DR BY:	H.MARTINEZ	04-06-2009
APPD:	A.BLEININGER	04-06-2009
THIRD ANGLE PROJECTION		EDS DATE 11-11-2011 FORMAT REV H
CONFIDENTIAL: THIS DRAWING AND ITS INFORMATION ARE THE EXCLUSIVE AND CONFIDENTIAL PROPERTY OF REGAL-BELOIT CORPORATION AND ARE NOT TO BE DISCLOSED, DUPLICATED, DISTRIBUTED OR OTHERWISE USED WITHOUT THE WRITTEN CONSENT OF REGAL-BELOIT CORPORATION. -ALL RIGHTS RESERVED.		

<b>REGAL-BELOIT CORPORATION</b>	
DESCRIPTION MODEL-CFHP-56FR OUTLINE	
SIZE C	DWG NO SV2104L
SCALE NONE	SHEET 1



REVISION:	ECO	REVISADO POR:	FECHA:	APROBADO POR:	FECHA:
C	0029871	E.SINECIO	12-17-2012	G.ALVIDREZ	12-17-2012

CARACTERISTICAS DE GEOMETRIA Y SIMBOLOS: ▽ PLANICIDAD — RECTITUD ∠ ANGULARIDAD ⊥ PERPENDICULARIDAD (A ESQUADRA) // PARALELISMO ○ REDONDEZ (CIRCULARIDAD) ⌀ CILINDRICIDAD ~ PERFIL DE CUALQUIER SUPERFICIE ~ PERFIL DE CUALQUIER LINEA ≠ VARIACION ⊕ POSICION REAL ⊙ CONCENTRICIDAD ≡ SIMETRIA	A MENOS QUE SE ESPECIFIQUE DE OTRA MANERA, LAS TOLERANCIAS DE LAS DIMS. SON LAS SIGUIENTES: PULG ±.1 ±.02 ±.005 ±.0005 mm ±0.5 ±0.13 ±0.013 ANG. ±50 GRADOS ELIMINAR REBABAS Y ORILLAS FILOSAS DEL BORDE. FILETEAR ESQUINA: PULG .020 mm 0.5 MAQUINAR SUPERFICIES PULG .125 mm .32 DIMS METRICAS MOSTRADAS [PARENTESIS]	DIBUJADO POR: H.MARTINEZ	04-06-2009	REGAL REGAL-BELOIT CORPORATION DESCRIPCION: MODEL-CFHP-56FR OUTLINE TAMANO: C NUMERO DE DIBUJO: SV2104L	
		APROBADO POR: A.BLEININGER	04-06-2009		TERCER ANGULO DE PROYECCION
CONFIDENCIAL: ESTE DIBUJO Y SU INFORMACION SON PROPIEDAD DE USO EXCLUSIVO Y CONFIDENCIAL DE REGAL-BELOIT CORPORATION. Y NO DEBERAN SER REVELADOS, DUPLICADOS, DISTRIBUIDOS O USARSE DE OTRA MANERA SIN EL CONSENTIMIENTO ESCRITO DE REGAL-BELOIT CORPORATION. -TODOS LOS DERECHOS RESERVADOS.				ESCALA: NONE	HOJA: 1