

PRODUCT INFORMATION PACKET



Model No: SD116
Catalog No: SD116
7.5 HP Severe Duty Motor, 3 phase, 3600 RPM, 208-230/460 V, 213T Frame, TEFC
Other Severe Duty Motors



Regal and Century are trademarks of Regal Beloit Corporation or one of its affiliated companies.
©2019 Regal Beloit Corporation, All Rights Reserved. MC017097E

The REGAL logo consists of the word 'REGAL' in a bold, white, sans-serif font, set against a dark grey rectangular background with a slight shadow effect.

REGAL



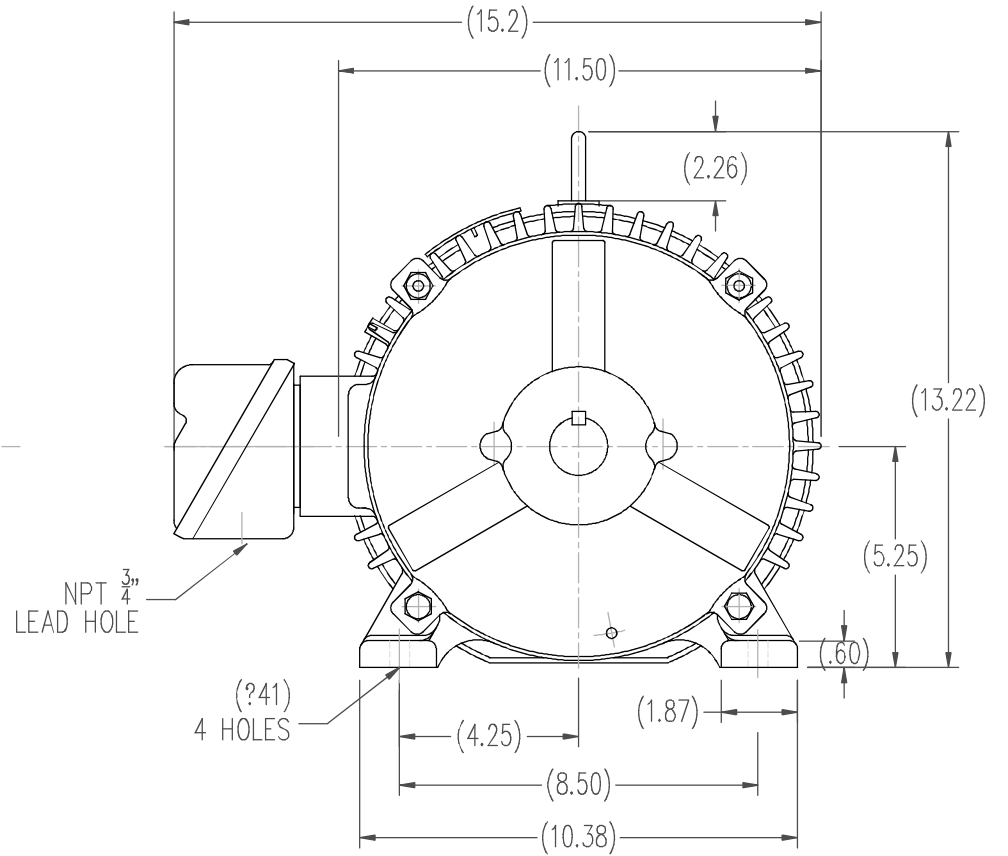
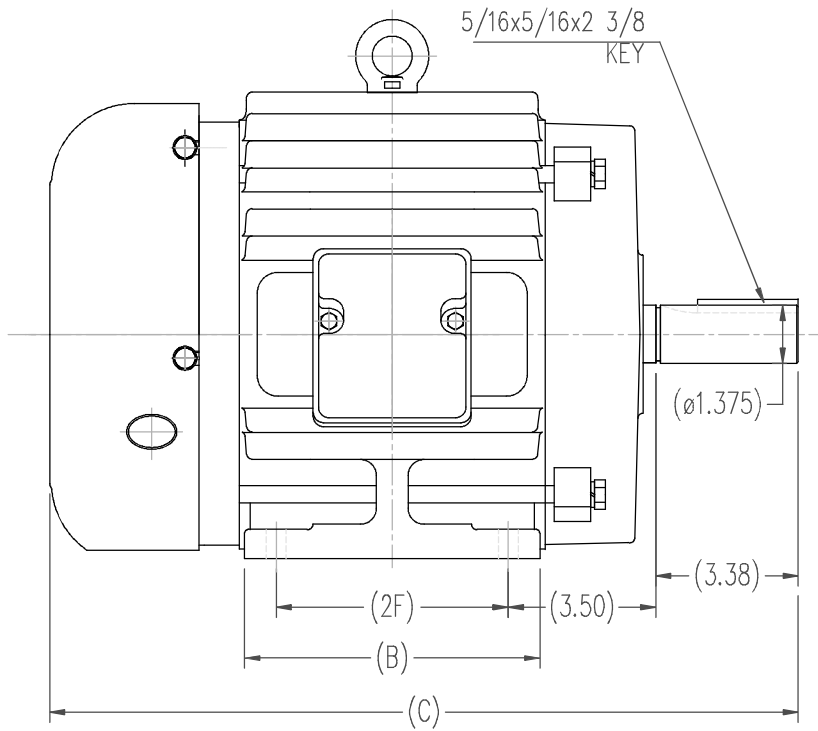
Nameplate Specifications

Output HP	7.5 Hp	Output KW	5.6 kW
Frequency	60 Hz	Voltage	208-230/460 V
Current	8.9 A	Speed	3515 rpm
Service Factor	1.15	Phase	3
Duty	Continuous	Insulation Class	F
Frame	213T	Enclosure	Totally Enclosed Fan Cooled
Thermal Protection	None	Ambient Temperature	40 °C
UL	Recognized	CSA	Y
CE	Y		


Technical Specifications

Electrical Type	POLYPHASE	Starting Method	Across The Line
Poles	2	Rotation	Reversible
Mounting	Rigid Base	Drive End Bearing	Ball
Opp Drive End Bearing	Ball	Frame Material	Cast Iron
Shaft Type	Keyed	Overall Length	17.91 in
Frame Length	7.24 in	Shaft Diameter	1.375 in
Shaft Extension	3.38 in		

This is an uncontrolled document once printed or downloaded and is subject to change without notice. Date Created:30/10/2019



213T	7.00	17.91	5.50
215T	8.50	19.48	7.00
FRAME	B	C	2F

		TOLERANCES UNLESS SPECIFIED		 REGAL REGAL-BELOIT CORPORATION		DRAWN ZOU 7.17.2012				
		DEC.	INCHES			CHK				
		.X	±.1			APPD				
		.XX	±.03			SCALE				
		.XXX	±.005	REF		TITLE				
		.XXXX	±.0005	FINISH		213/215T FR. TEFC-SEVERE DUTY				
		MAT'L.		PREV						
NO.	REVISION	BY & DATE	CHK	ANG	±1/2	CAD FILE	SS620604	SIZE	DRAWING NO.	REV.
THIS DRAWING IN DESIGN AND DETAIL IS OUR PROPERTY AND MUST NOT BE USED EXCEPT IN CONNECTION WITH OUR WORK ALL RIGHTS OF DESIGN AND INVENTION ARE RESERVED THIS IS AN ELECTRONICALLY GENERATED DOCUMENT - DO NOT SCALE THIS PRINT			RFP					B	SS620604	
			DIST							

